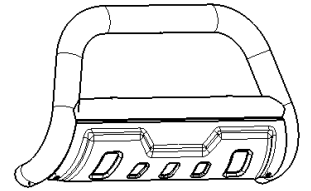




3.5" Oval Bull Bar

Part No. B1508S/B



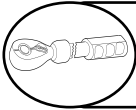
Fits: 2005-2014 Toyota Tacoma



REMOVE CONTENTS FROM BOX. VERIFY ALL PARTS ARE PRESENT.



READ INSTRUCTIONS CAREFULLY BEFORE STARTING INSTALLATION.



DO NOT OVER TORQUE. STANDARD OPERATING LOAD FOR TIGHTEN BODY MOUNT NUTS & BOLTS VARIES FROM 45 TO 65 FOOT POUND.



60-180 min



Cutting Not Required



Drilling Not Required



support@trailfx.com



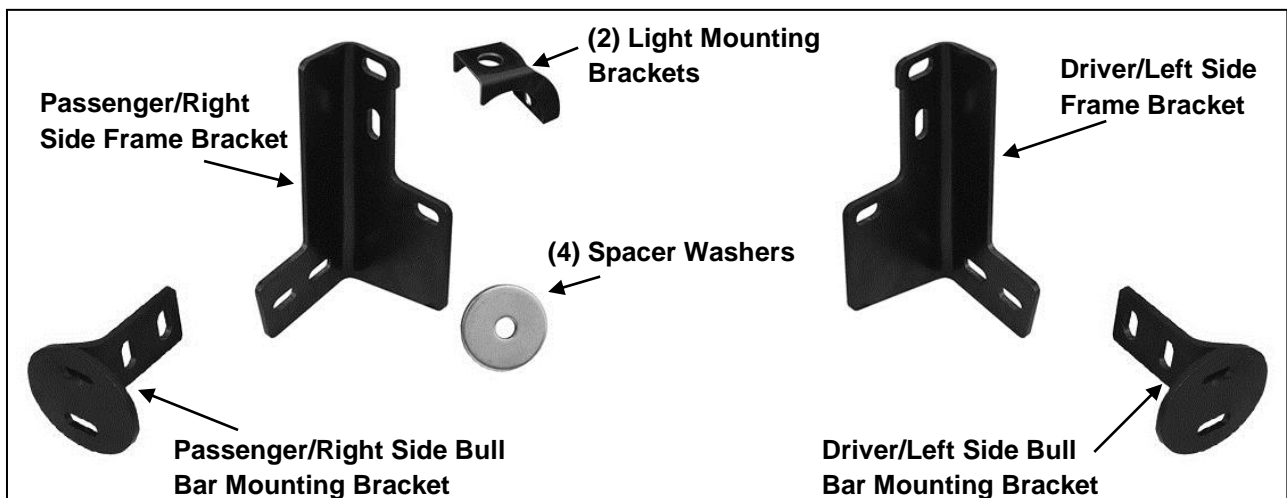
1 866 638 4870



POLISHED STAINLESS STEEL – LIMITED LIFETIME
POWDER COATED BLACK – 3 YEARS

PARTS LIST:

Qty	Part Description	Qty	Part Description
1	Driver/Left Frame Mounting Bracket	10	10mm x 20mm OD x 2mm Small Flat Washers
1	Passenger/Right Frame Mounting Bracket	6	10mm Lock Washers
1	Driver/Left Bull Bar Mounting Bracket	6	10mm Hex Nuts
1	Passenger/Right Bull Bar Mounting Bracket	4	8-1.25mm x 35mm Hex Bolts
2	Light Brackets	4	8mm x 24mm OD x 2mm Flat Washers
4	Large Spacer Washers	4	8mm Lock Washers
2	10-1.50mm x 120mm x 30mm Hex Bolts	4	6-1.0mm x 20mm Button Head Bolts
4	10-1.50mm x 30mm Hex Bolts	4	6mm x 18mm OD x 1.6mm Flat Washers
2	10mm x 30mm OD x 2.5mm Large Flat Washers	4	6mm Lock Washers
		1	Wrench

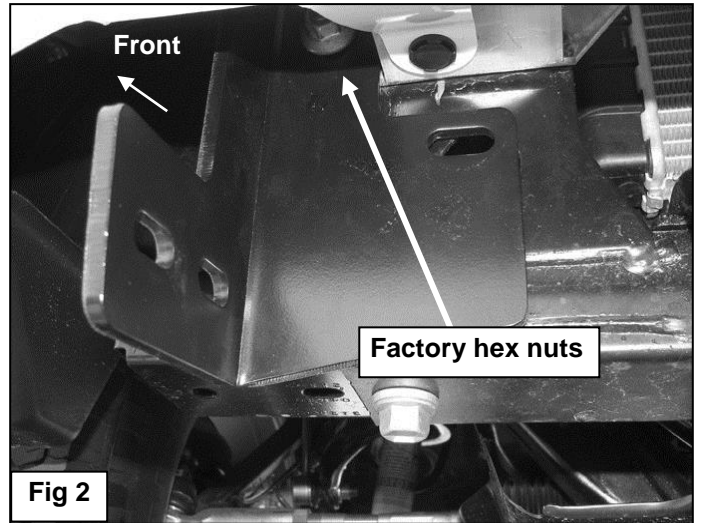
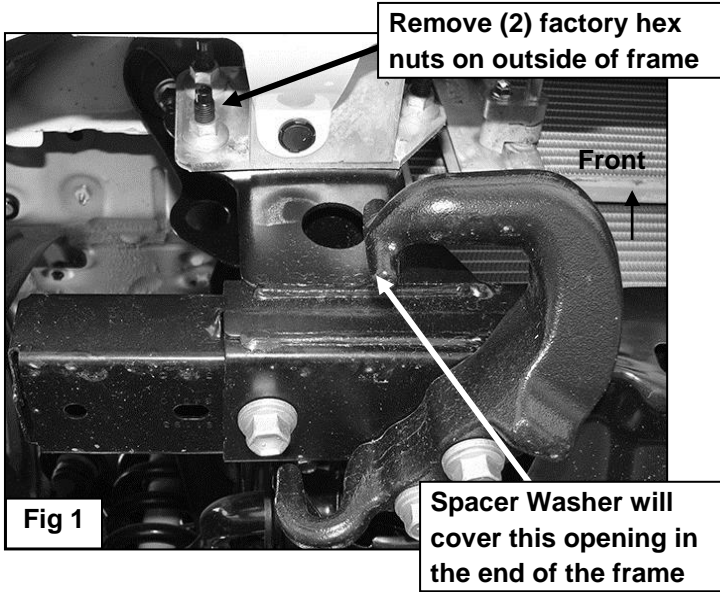


INSTALLATION PROCEDURE

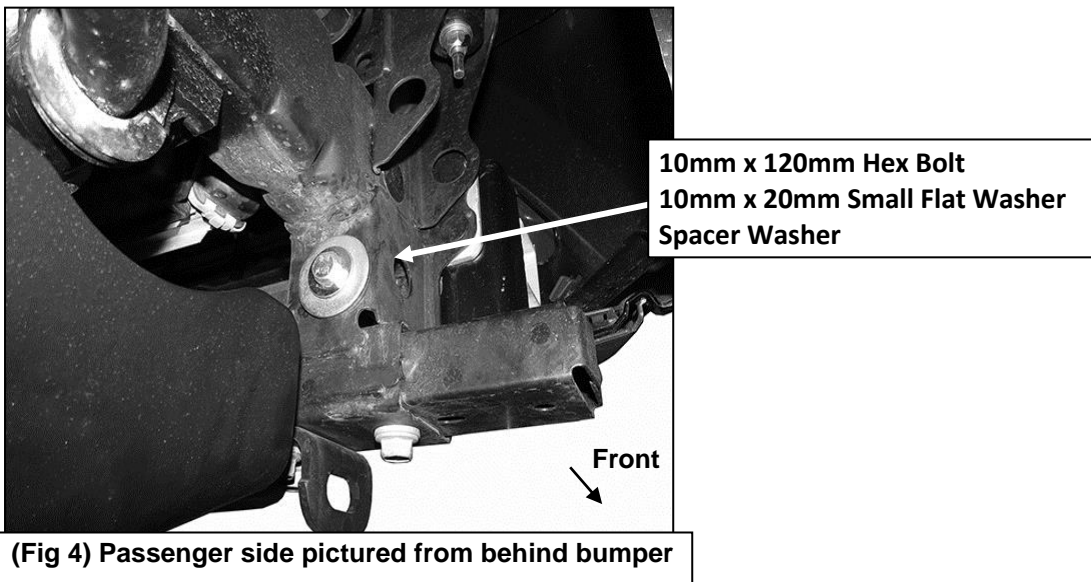
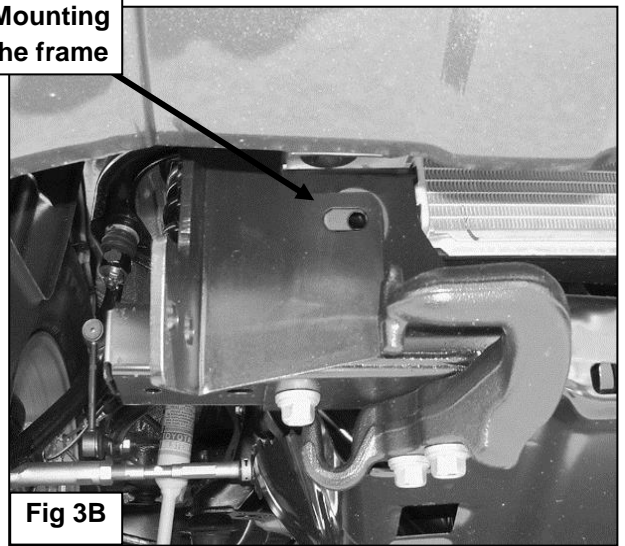
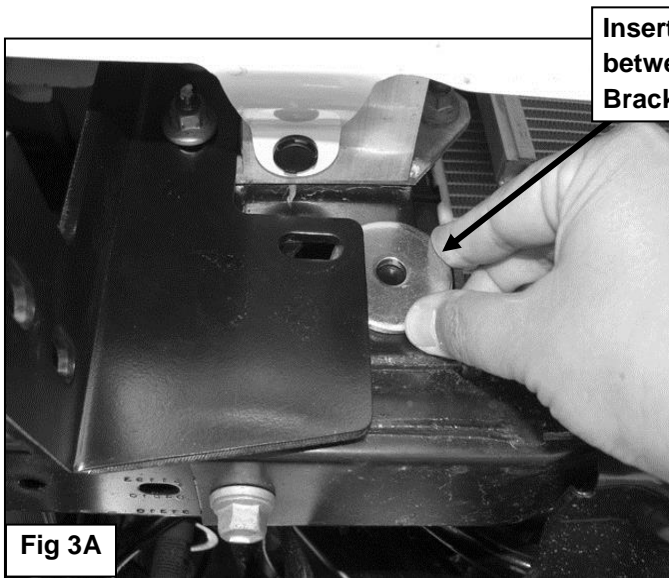
Start installation at the passenger side, front of the vehicle. Remove the (2) outer factory hex nuts attaching the bumper mount to the end of the frame, **(Figure 1)**. **NOTE:** It may be necessary to temporarily remove the factory tow hook from the passenger side.

1. Select the passenger side frame mounting bracket. Slide the Bracket over the (2) threaded studs. Secure the Bracket to the studs with the factory hex nuts, **(Figures 2 & 6)**. Leave hardware loose at this time.
2. Slide (1) Large Spacer Washer between the Mounting Bracket and the frame cross member, **(Figures 3A & 3B)**. Insert (1) 10mm x 120mm Hex Bolt with (1) 10mm x 20mm OD Small Flat Washer and (1) Large Spacer Washer into and through the hole in the back of the cross member. Make sure the Spacer Washer is against the cross member covering the large hole, **(Figures 4 & 6)**. Push the long bolt through the outer Spacer Washer and Frame Bracket. Secure the Bracket to the Bolt with (1) 10mm x 30mm Large Flat Washer, (1) 10mm Lock Washer and (1) 10mm Hex Nut, **(Figures 5 & 6)**. Leave hardware loose at this time.
3. Repeat **Steps 2—4** for driver side Bracket installation.
4. Next, carefully unwrap the Bull Bar, **(Figure 7)**. Select the passenger side Bull Bar Mounting Bracket, **(Figure 8)**. Attach the Bracket to the end of the Bull Bar with (2) 8mm x 35mm Hex Bolts, (2) 8mm Lock washers and (2) 8mm Flat Washers, **(Figure 9)**. Center the mounting flange on the Bracket with the end of the tube on the Bull Bar. Snug but do not tighten hardware. Repeat this Step to install the passenger side Mounting Bracket.
5. With assistance, line up the mounting tabs on the Bull Bar with the outside of the (2) previously installed Frame Mounting Brackets. Bolt the Bull Bar to the Frame Mounting Brackets with the included (4) 10mm x 30mm Hex Bolts, (8) 10mm x 20mm OD Small Flat Washers, (4) 10mm Lock Washers and (4) 10mm Hex Nuts, **(Figures 10A & 10B)**. Snug but do not tighten hardware at this time.
6. Level and adjust the Bull Bar properly and tighten all hardware. Reinstall the tow hook if removed.
7. Determine if accessory lights will be installed.
If lights will not be installed at this time:
 - a) Insert the included (4) 6mm x 20mm Button Head Bolts, (4) 6mm Lock Washers and (4) 6mm Flat Washers into the threaded inserts in the back of the crossbar to plug the holes, **(Figure 11)**. Tighten hardware. Installation is complete.**If aftermarket lights will be installed, (lights not included):**
 - a) Select (1) Light Mount, **(Figure 12)**. Use the hardware included with the light to attach the light to the top of the Light Mount. If light has a separate tilt feature, fully tighten base mounting hardware, **(See example Figure 13)**. If light adjusts with the base mounting hardware, skip to **Step 9b**.
 - b) Remove the rubber plug on the top of the crossbar. Bolt the light and Light Mount to the back of the Bull Bar with the included (4) 6mm x 20mm Button Head Bolts, (4) 6mm Lock Washers and (4) 6mm Flat Washers, **(Figure 13)**. **NOTE:** If light adjusts with the base mounting hardware, hand-tighten the light hardware; do not fully tighten hardware at this time. You may have to install, adjust, remove light with Bracket and readjust a few times to get the light properly adjusted.
 - c) Once properly adjusted, tighten light to Bracket hardware then tighten Bracket to Bull Bar hardware.
 - d) Repeat the above **Steps 9a—9c** to install remaining light and Light Mount.
8. Do periodic inspections to the installation to make sure that all hardware is secure and tight.

Passenger Side Installation Pictured



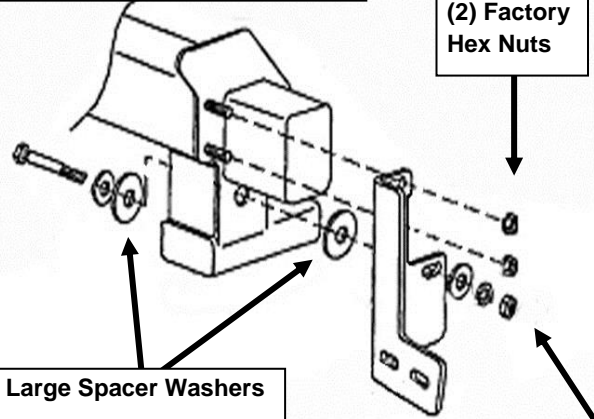
Passenger Side Installation Pictured



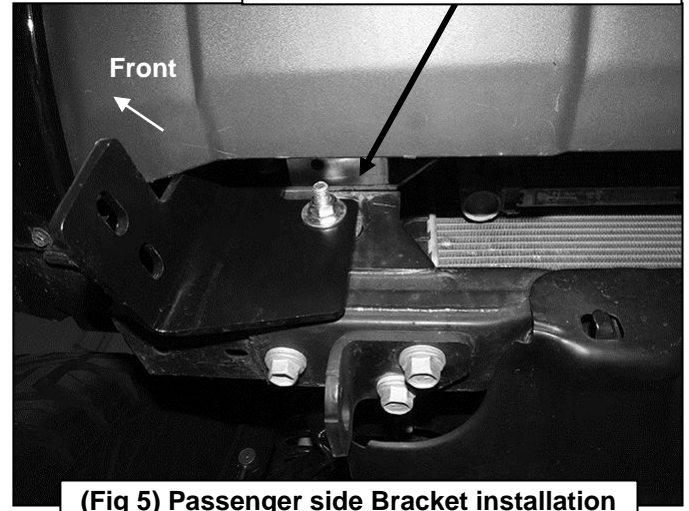
- 10mm x 30mm Large Flat Washer
- 10mm Lock Washer
- 10mm Hex Nut

- 10mm x 120mm Hex Bolt
- 10mm x 20mm Small Flat

(2) Factory Hex Nuts



Large Spacer Washers

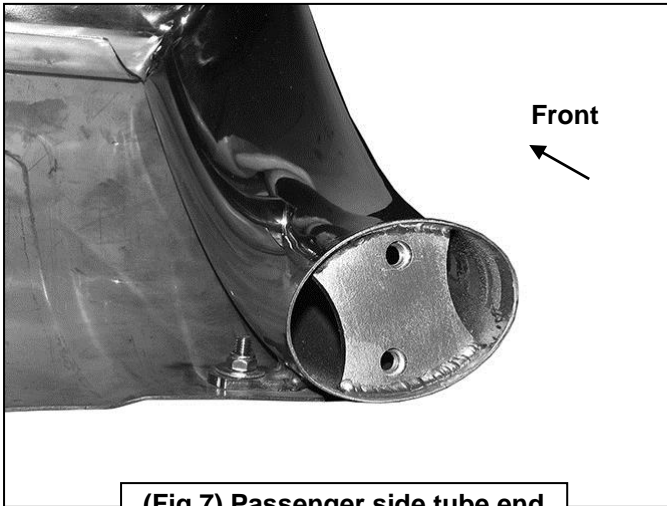


(Fig 5) Passenger side Bracket installation

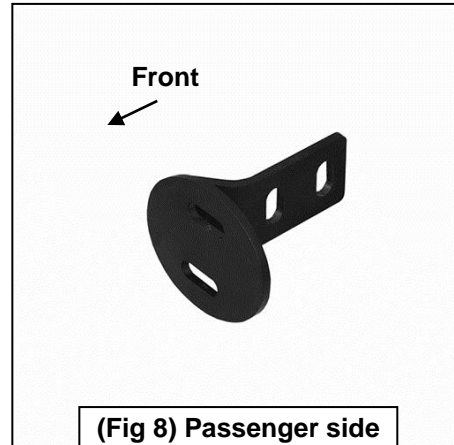
- 10mm x 30mm Large Flat Washer
- 10mm Lock Washer
- 10mm Hex Nut

Fig 6

Passenger Side Installation Pictured



(Fig 7) Passenger side tube end



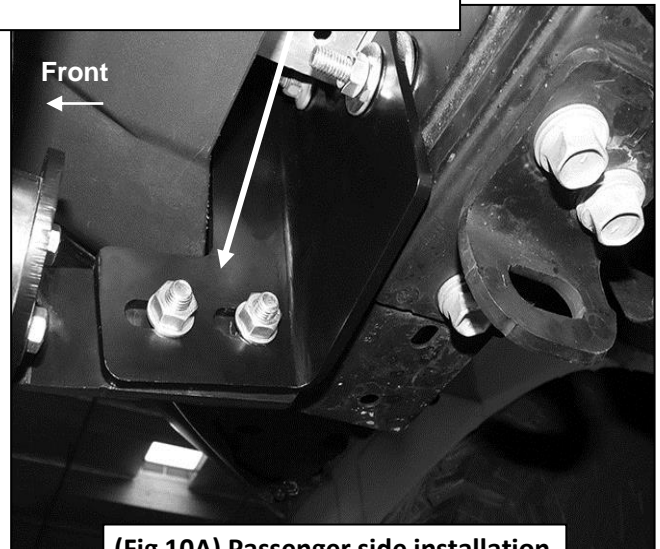
(Fig 8) Passenger side tube Mounting Bracket

- (2) 10mm x 30mm Hex Bolts
- (4) 10mm x 20mm Small Flat Washers
- (2) 10mm Lock Washers
- (2) 10mm Hex Nuts

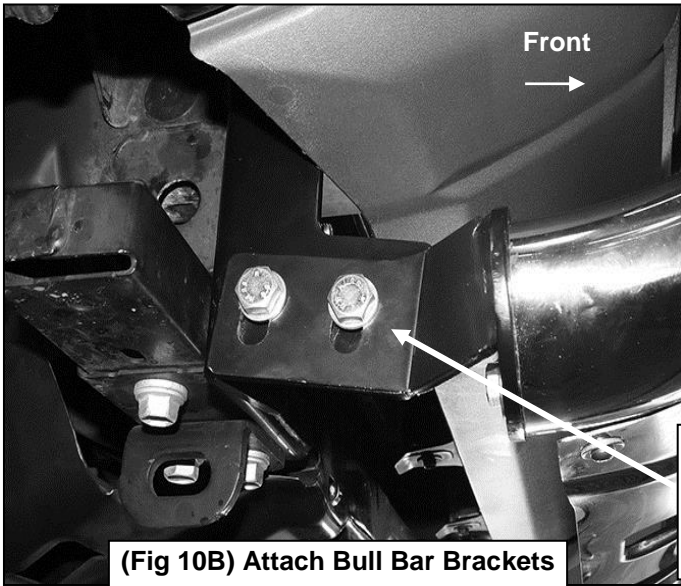


- (2) 8mm x 35mm Hex Bolts
- (2) 8mm Lock Washers
- (2) 8mm Flat Washer

Fig 9



(Fig 10A) Passenger side installation



(Fig 10B) Attach Bull Bar Brackets to outside of Frame Brackets

- (2) 10mm x 30mm Hex Bolts
- (4) 10mm x 20mm Small Flat Washers
- (2) 10mm Lock Washers
- (2) 10mm Hex Nuts

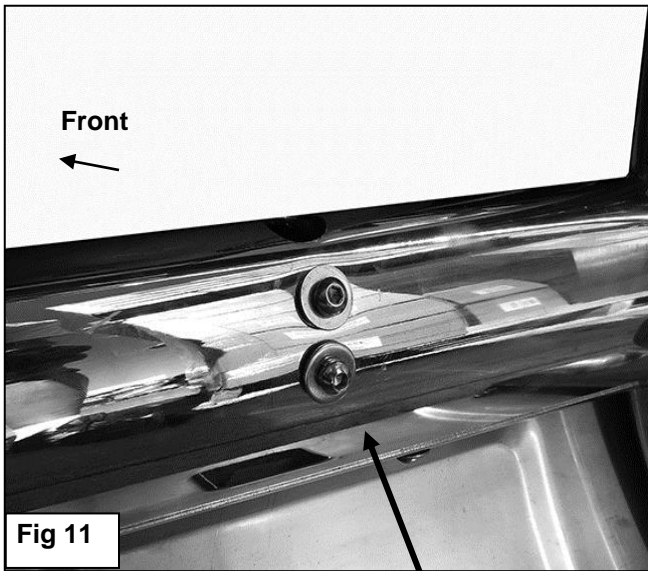
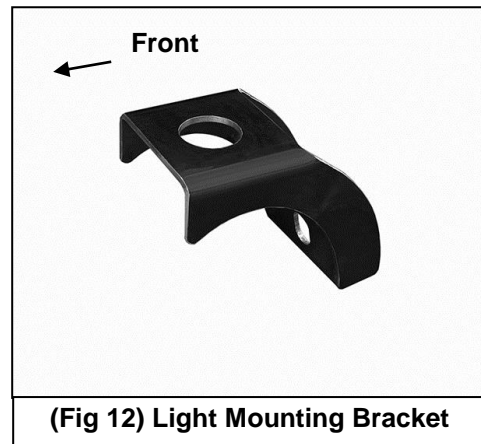


Fig 11

- (2) 6mm x 20mm Button Head Bolts
- (2) 6mm Lock Washers
- (2) 6mm Flat Washers



(Fig 12) Light Mounting Bracket

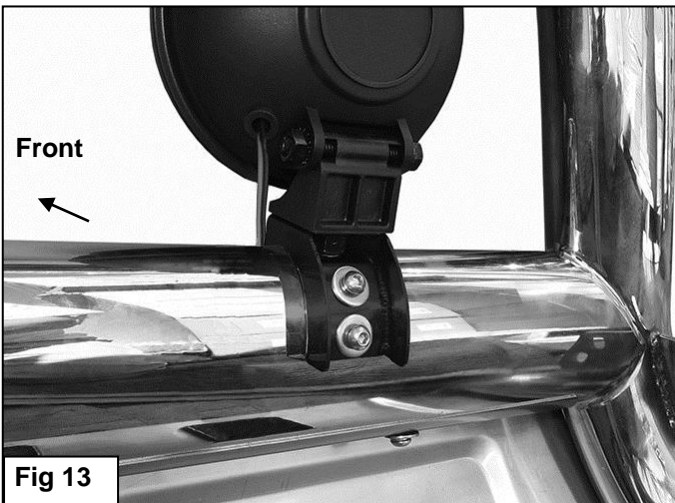


Fig 13

Light pictured for example only-
light not included



Complete Installation
Light pictured for example only-light
and "L" Brackets not included

TrailFx Part # G9018MK required to Install LED Light Bars (Sold Separately)

PRODUCT CARE

- Periodically check the product to ensure all fasteners are tight and components are intact.
- Regular waxing is recommended to protect the finish of the product.
- **Use ONLY Non-Abrasive automotive wax.** Use of any soap, polish or wax that contains an abrasive is detrimental and can scratch the finish leading to corrosion.
- Aluminum polish may be used to polish small scratches and scuffs for **Stainless Steel finish.**
- Mild soap may be used to clean the product for both **Stainless Steel and Black finish.**

FAQ's**1. Hardware's are not of correct size.**

In GMC / Chevrolet truck model 2006 & up, customer needs to reuse the factory body bolts to install the bracket. If your vehicle is not GMC / Chevrolet 2006 & up, please ensure that holes are not partially covered with any plastic grommet or rust? If it is, please remove the plastic grommet & rust from the thread holes & re-try the installation.

2. Mounting Bracket are not getting Installed properly.

In some cases Illustration images shown in Installation manual may not be the exactly same as per actual vehicle images ,also if Driver / Passenger side mounting brackets are very identical in the design, suggest referring Parts Identification guide to avoid fitment issue.

3. Products are thumping / rattling after installation.

Please ensure that all required mounting brackets / hardware's are installed & tighten correctly. Suggest using white lithium / regular grease between the metal to metal contact surfaces.

4. Side Bar is not aligning with vehicle / Step Pads are not aligning with vehicle doors.

Side bar may be interchanged or mounting brackets are not installed at the correct position in the vehicle. Please refer Parts identification guide.

5. Missing / Excess Hardware.

Recheck hardware count as per the part list.

6. Product not installing properly.

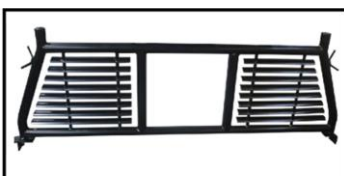
Ensure make model year, cab length and bed size of your vehicle is listed in the application. All installation steps are followed correctly.

Check out these other TrailFX Products!!

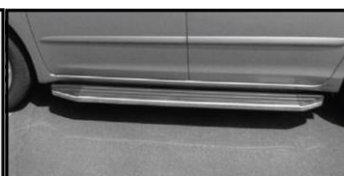
www.TrailFX.com



SIDE BAR



HEADACHE RACKS



RUNNING BOARDS



ROCKER GUARDS

Keystone Automotive Operations Inc. (KAO) warrants this product to be free of defects in material and workmanship at the time of purchase by the original retail consumer. KAO disclaims any other warranties, express or implied, including the warranty of fitness for a particular purpose or an intended use. If the product is found to be defective, KAO may replace or repair the product at our option, when the product is returned prepaid, with proof of purchase. Alteration to, improper installation, or misuse of this product voids the warranty. KAO's liability is limited to repair or replacement of products found to be defective, and specifically excludes liability for any incidental or consequential loss or damage.