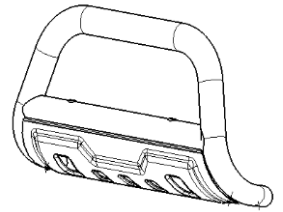




3.5" Oval Bull Bar

Part No. B1506S/B

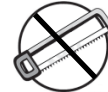


**Fits: 2008 – 2016
2007 – CURRENT**

**Toyota Sequoia
Toyota Tundra**



60-180 min



CUTTING NOT
REQUIRED



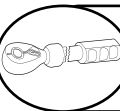
DRILLING NOT
REQUIRED



REMOVE CONTENTS FROM BOX. VERIFY ALL PARTS ARE PRESENT.



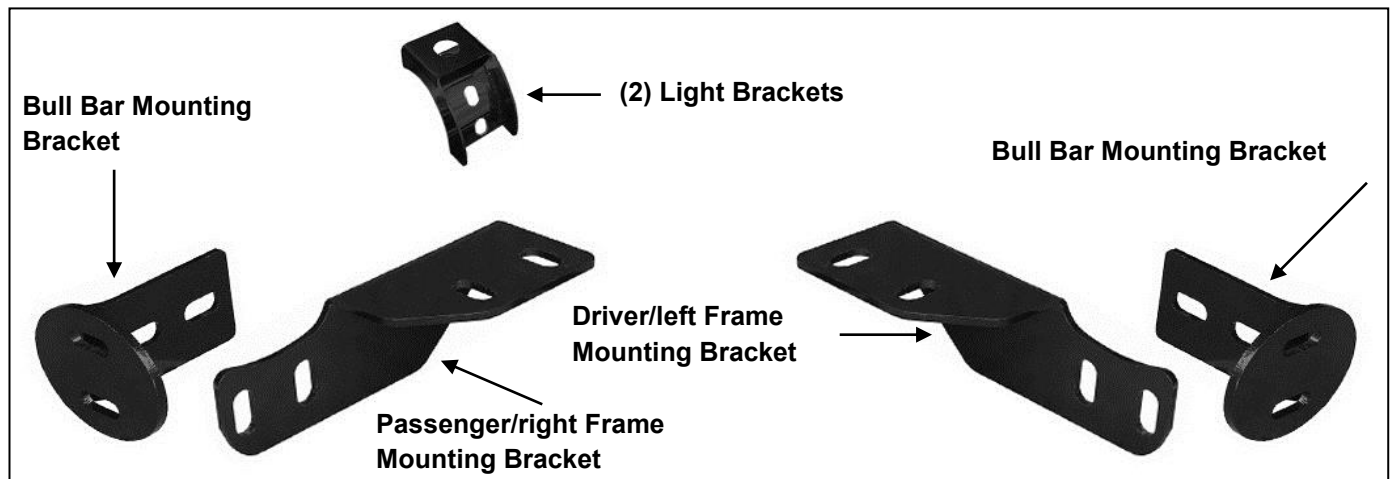
READ INSTRUCTIONS CAREFULLY BEFORE STARTING INSTALLATION.



DO NOT OVER TORQUE. STANDARD OPERATING LOAD FOR TIGHTEN BODY MOUNT NUTS & BOLTS VARIES FROM 45 TO 65 FOOT POUND.

PARTS LIST:

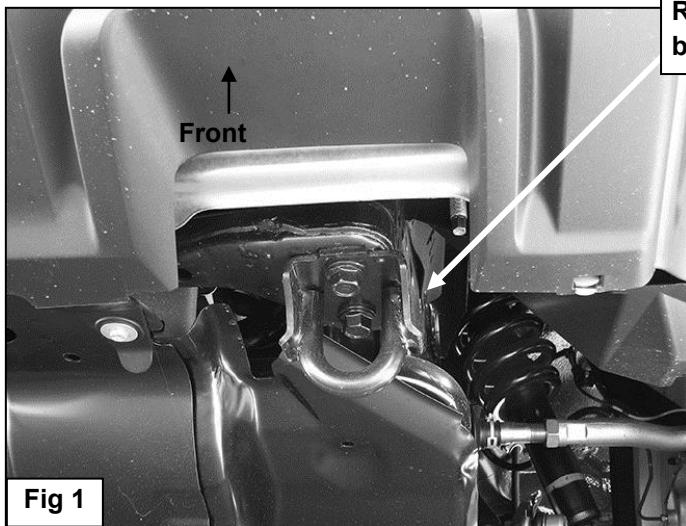
Qty	Part Description	Qty	Part Description
1	Bull Bar	4	12-1.75mm Nylon Lock Nuts
1	Driver Side Frame Mounting Bracket	4	8-1.25mm x 30mm Hex Bolts
1	Passenger Side Frame Mounting Bracket	4	8mm x 24mm OD x 2mm Flat Washers
2	Bull Bar Mounting Brackets (left or right)	4	8mm Lock Washers
2	Light Brackets	4	6-1.0mm x 20mm Button Head Bolts
4	12-1.75mm x 30mm Hex Bolts	4	6mm x 18mm OD x 1.6mm Flat Washers
8	12mm x 32mm OD x 3mm Flat Washers	4	6mm Lock Washers



INSTALLATION PROCEDURE

INSTALLATION MAY INTERFERE WITH FRONT MOUNTED SENSORS. NOT RECOMMENDED FOR VEHICLES WITH OPTIONAL "ACTIVE" LASER GUIDED CRUISE CONTROL SYSTEMS.

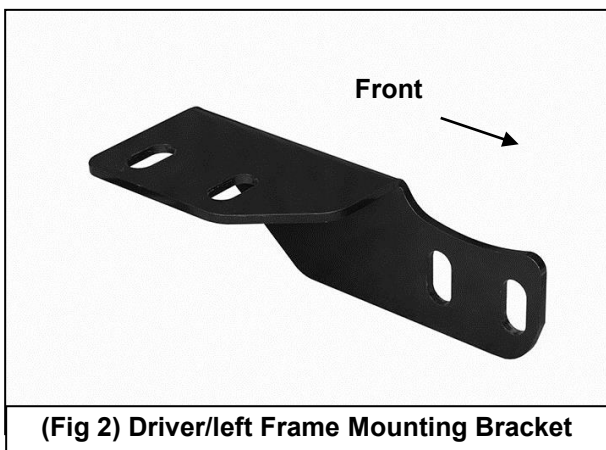
- NOTE:** It may be necessary to remove/relocate the front license plate and license plate bracket. It is not required for installation but strongly recommended. If local/state law requires a license plate, license plate relocation kit is available.
- Start installation at the driver side, front of the vehicle. Remove the driver side tow hook, **(Figure 1)**.



Remove (2) factory hex bolts to remove tow hook

Fig 1

3. Select the driver side Frame Bracket, (**Figure 2**). Check the fit between the tow hook and the Bracket for reinstallation over the Bracket. **NOTE:** Some factory tow hooks may not clear the Bracket and cannot be reinstalled. Check for fit before bolting tow hook and Bracket in place.



(Fig 2) Driver/left Frame Mounting Bracket

4. Bolt the Bracket to the underside of the frame channel reusing the factory tow hook bolts, either with or without the tow hook, (**Figure 3**). Do not fully tighten hardware at this time.

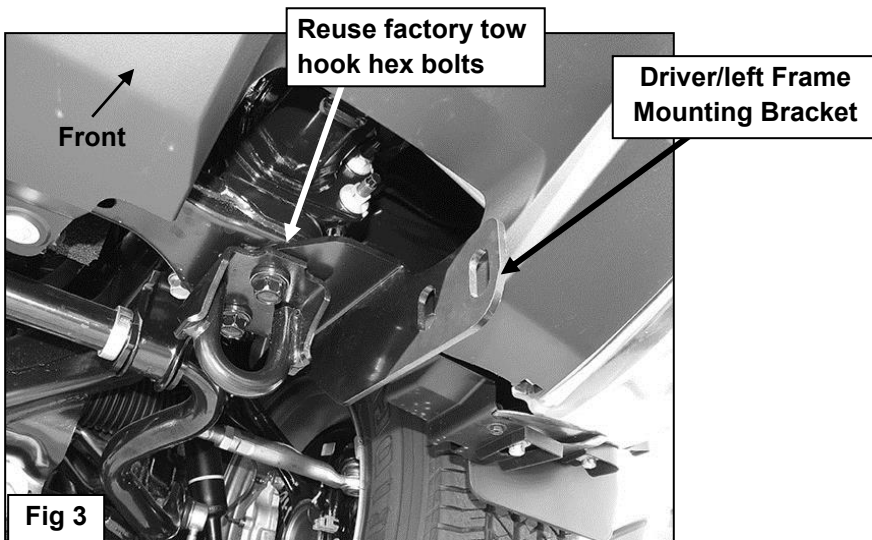
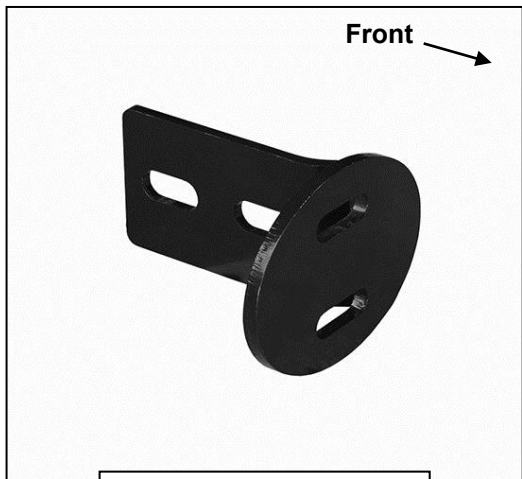


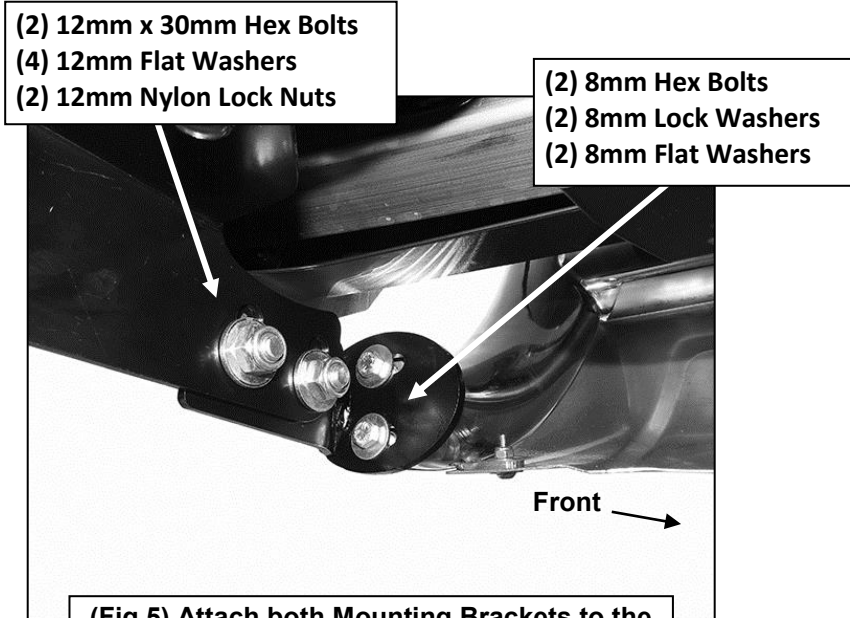
Fig 3

5. Repeat **Steps 2—4** for passenger side Frame Mounting Bracket installation.

6. Carefully unwrap the Bull Bar. Select (1) Bull Bar Mounting Bracket, **(Figure 4)**. Bolt the Bracket to the end of the Bull Bar with (2) 8mm Hex Bolts, (2) 8mm Lock Washers and (2) 8mm Flat Washers, **(Figure 5)**. Leave hardware loose at this time.
7. Repeat **Step 6** to install the passenger side Mounting Bracket.
8. With assistance, line up the Mounting Brackets on the Bull Bar with the outside of the Frame Brackets. Bolt the Bull Bar to the Frame Brackets with the included (4) 12mm x 30mm Hex Bolts, (8) 12mm Flat Washers and (4) 12mm Nylon Lock Nuts, **(Figure 5)**. Do not tighten hardware at this time.

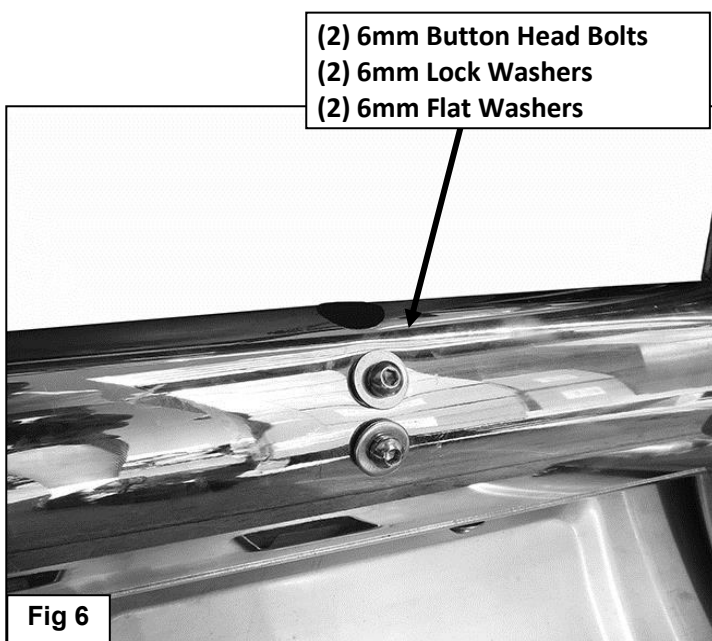


(Fig 4) Bull Bar Bracket



(Fig 5) Attach both Mounting Brackets to the ends of the Bull Bar first, then attach the Bull Bar and Brackets to the Frame Brackets

9. Level and adjust the Bull Bar properly and tighten all hardware.
10. Use the included (4) 6mm Button Head Bolts, (4) 6mm Lock Washers and (4) 6mm Flat Washers to plug the (4) threaded holes in the back of the cross bar, **(Figure 6)**.



11. If aftermarket lights, (not included), are to be installed, remove the rubber plugs on the top of the cross bar. Select (1) Light Bracket, **(Figure 7)**. Attach the light to the Light Bracket using the hardware included with the light. Attach the light and Bracket to the back of the Bull Bar with (2) 6mm Button Head Bolts, (2) 6mm Lock Washers and (2) 6mm Flat Washers, **(Figure 8)**. Adjust the light as desired. NOTE: Depending on light design, repeated removal and reinstallation of the light and Bracket may be required for proper adjustment. Tighten all hardware.
12. Repeat Step 11 to install the second light.
13. Do periodic inspections to the installation to make sure that all hardware is secure and tight.

