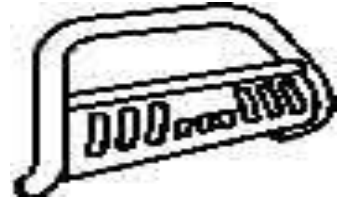




3" Bull Bar

Part No. B0030S/B



Fits: **2016-Current Toyota Tacoma**



60-180 min



Cutting Is Required



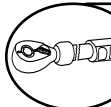
Drilling Not Required



REMOVE CONTENTS FROM BOX. VERIFY ALL PARTS ARE PRESENT.



READ INSTRUCTIONS CAREFULLY BEFORE STARTING INSTALLATION.



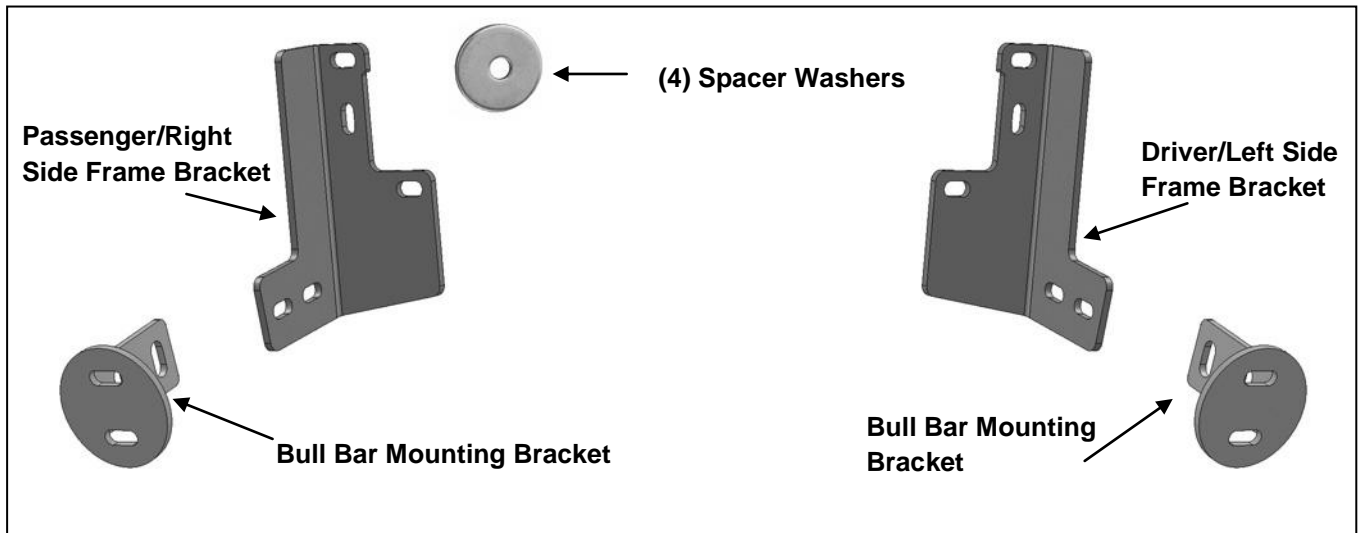
DO NOT OVER TORQUE. STANDARD OPERATING LOAD FOR TIGHTEN BODY MOUNT NUTS & BOLTS VARIES FROM 45 TO 65 FOOT POUND.



POLISHED STAINLESS STEEL – LIMITED LIFETIME
POWDER COATED BLACK – 3 YEARS

PARTS LIST:

Qty	Part Description	Qty	Part Description
1	Bull Bar	4	10mm x 34mm Large Flat Washers
1	Driver/Left Frame Mounting Bracket	8	10mm x 30mm STD Flat Washers
1	Passenger/Right Frame Mounting Bracket	6	10mm Nylon Lock Nuts
2	Bull Bar Mounting Brackets	4	8-1.25mm x 35mm Hex Bolts
4	Large Spacer Washers	4	8mm x 24mm OD x 2mm Flat Washers
2	10-1.50mm x 120mm x 30mm Hex Bolts	4	8mm Lock Washers
4	10-1.50mm x 30mm Hex Bolts		



PROCEDURE:

NOT COMPATIBLE WITH OPTIONAL FULL COVERAGE FACTORY ALUMINUM SKID PLATE. OPTIONAL SKID PLATE MUST BE REMOVED AND CANNOT BE REINSTALLED.

NOTE: It may be necessary to remove/relocate front license plate and license plate bracket. It is not required, but strongly recommended. If local/state law requires a front license plate, license plate relocation kit is available.

1. From under the front of the vehicle, remove the plastic lower air dam from the front bumper cover, (**Figure 1**).
2. Start installation at the passenger side, front of the vehicle. Remove the (2) outer factory hex nuts attaching the bumper mount to the end of the frame, (**Figure 2**). **NOTE:** It may be necessary to temporarily remove the factory tow hook from the passenger side



(Fig 1) Remove air dam from bottom of bumper

Remove (2) factory hex nuts on outside of frame

Spacer Washer will cover this opening in the end of the frame

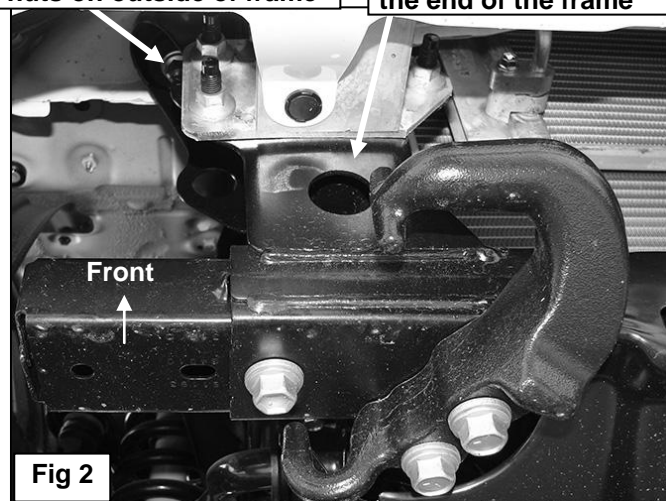


Fig 2

3. Select the passenger side frame mounting bracket, (**Figure 3**). Slide the Bracket over the (2) threaded studs. Secure the Bracket to the studs with the factory hex nuts, (**Figures 4 & 9**). Leave hardware loose at this time.

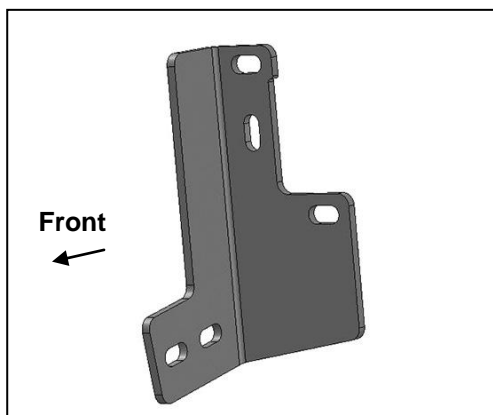


Fig 3 Passenger/right frame Bracket

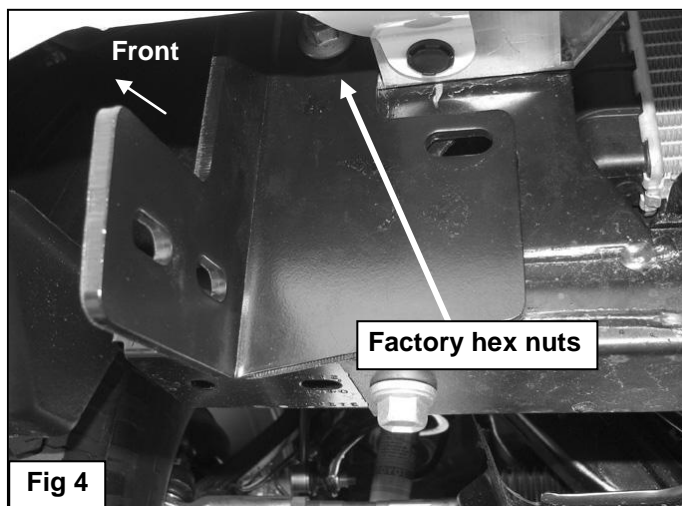


Fig 4

10mm x 120mm Hex Bolt
10mm x 34mm Large Flat Washer

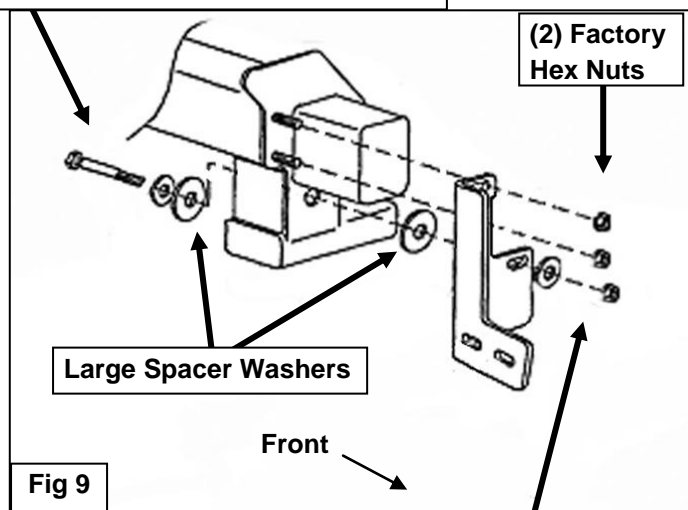
(2) Factory Hex Nuts

Large Spacer Washers

Front

Fig 9

10mm x 34mm Large Flat Washer
10mm Nylon Lock Nut



- Slide (1) Large Spacer Washer between the Mounting Bracket and the frame cross member, (**Figures 5 & 6**). Insert (1) 10mm x 120mm Hex Bolt with (1) 10mm x 34mm OD Large Flat Washer and (1) Large Spacer Washer into and through the hole in the back of the cross member. Make sure the Spacer Washer is against the cross member covering the large hole, (**Figures 7 & 9**). Push the long bolt through the outer Spacer Washer and Frame Bracket. Secure the Bracket to the Bolt with (1) 10mm x 34mm Large Flat Washer and (1) 10mm Nylon Lock Nut, (**Figures 8 & 9**). Leave hardware loose at this time. **NOTE:** Trim plastic splashguards attached to the bottom corners of the bumper as necessary to clear brackets.

Insert Spacer Washer
between the Mounting
Bracket and the frame

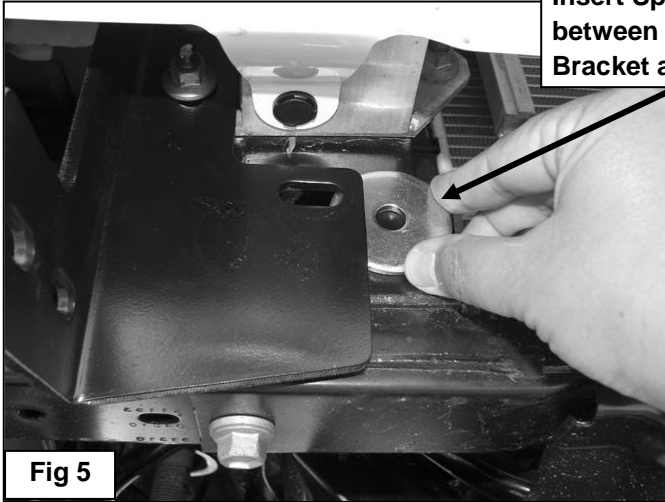


Fig 5

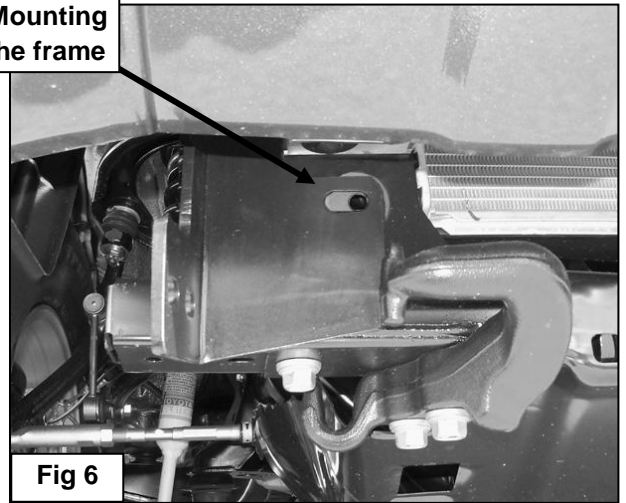


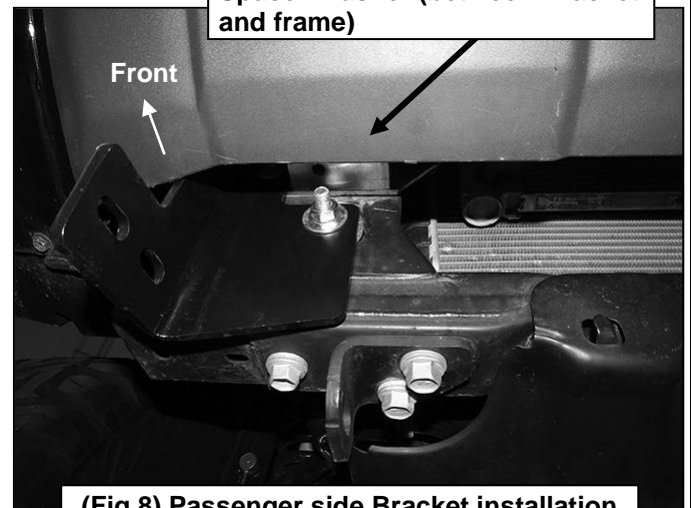
Fig 6

10mm x 120mm Hex Bolt
10mm x 34mm Large Flat Washer
Spacer Washer

10mm x 34mm Large Flat Washer
10mm Nylon Lock Nut
Spacer Washer (between Bracket
and frame)

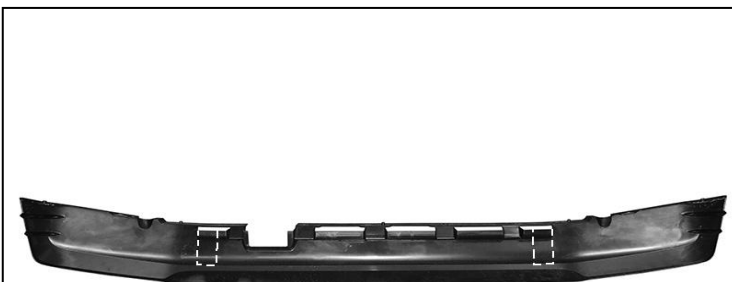


(Fig 7) Passenger side pictured from behind bumper



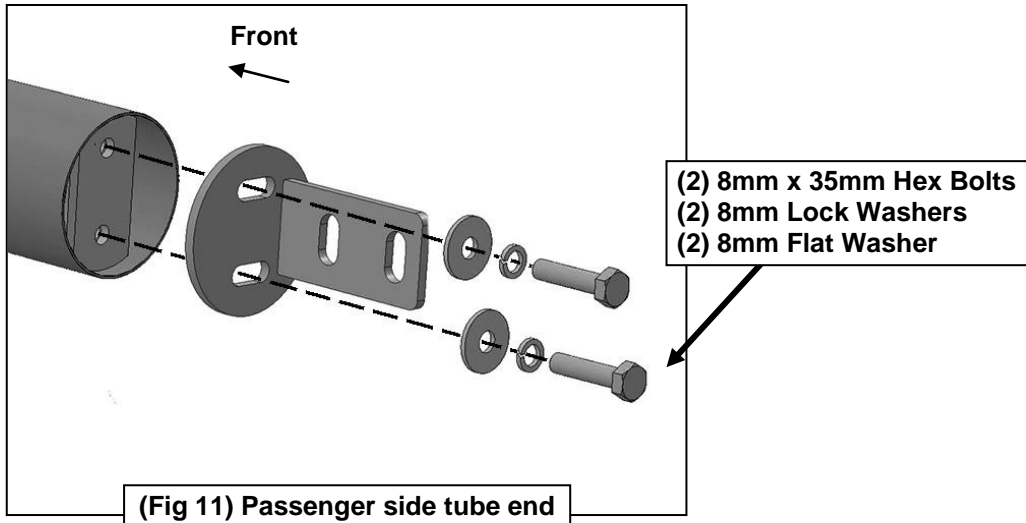
(Fig 8) Passenger side Bracket installation

- Repeat **Steps 2—4** for driver side Bracket installation.
- Next, hold the plastic air dam up in position against the Mounting Brackets. Trace the location of the two brackets onto the back of the air dam, (**Figure 10**). Use a sharp knife or hacksaw blade to carefully cut two slots to clear the brackets. **IMPORTANT:** Do not cut through the top or bottom edge of the air dam. Do not cut off the mounting tabs from the top of the air dam. For best results, check all measurements before cutting, start with a small opening and slowly enlarge the slots until Brackets clear the air dam. Reinstall the air dam but leave hardware loose at this time.

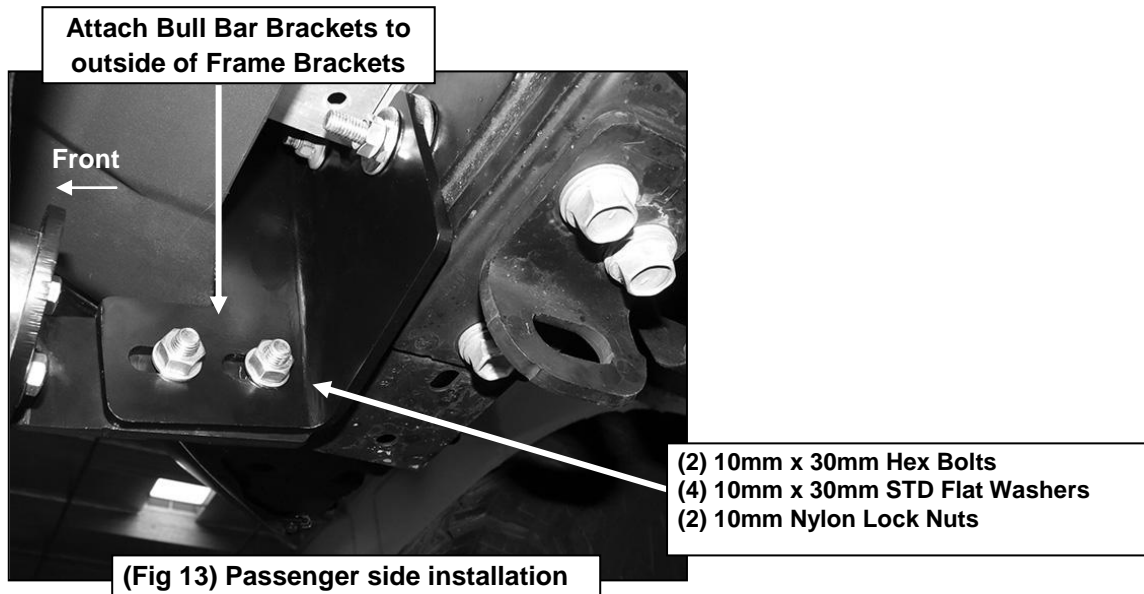
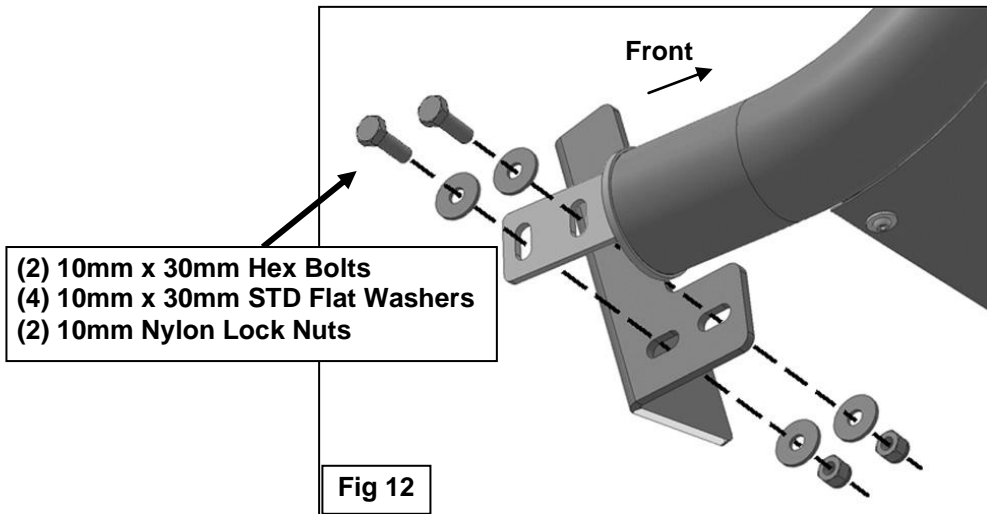


(Fig 10) Dashed lines represent approximate area to cut from air dam and are illustrated for example only

- Next, carefully unwrap the Bull Bar. Select (1) Bull Bar Mounting Bracket, **(Figure 11)**. Attach the Bracket to the end of the Bull Bar with (2) 8mm x 35mm Hex Bolts, (2) 8mm Lock Washers and (2) 8mm Flat Washers. Center the mounting flange on the Bracket with the end of the tube on the Bull Bar. Snug but do not tighten hardware. Repeat this Step to install the driver side Bull Bar Bracket onto the Bull Bar.



- With assistance, line up the mounting tabs on the Bull Bar with the outside of the (2) previously installed Frame Mounting Brackets. Bolt the Bull Bar to the Frame Mounting Brackets with the included (4) 10mm x 30mm Hex Bolts, (8) 10mm x 30mm STD Flat Washers and (4) 10mm Nylon Lock Nuts, **(Figures 12 & 13)**. Snug but do not tighten hardware at this time.
- Level and adjust the Bull Bar properly and tighten all hardware including factory hardware attaching the air dam to the vehicle. Reinstall the tow hook if removed.
- Do periodic inspections to the installation to make sure that all hardware is secure and tight.



PRODUCT CARE

- Periodically check the product to ensure all fasteners are tight and components are intact.
- Regular waxing is recommended to protect the finish of the product.
- **Use ONLY Non-Abrasive automotive wax.** Use of any soap, polish or wax that contains an abrasive is detrimental and can scratch the finish leading to corrosion.
- Aluminum polish may be used to polish small scratches and scuffs for **Stainless Steel finish.**
- Mild soap may be used to clean the product for both **Stainless Steel and Black finish.**

FAQ's

1. Hardware's are not of correct size.

In GMC / Chevrolet truck model 2006 & up, customer needs to reuse the factory body bolts to install the bracket. If your vehicle is not GMC / Chevrolet 2006 & up, ensure that holes are not partially covered with any plastic grommet or rust? If it is, remove the plastic grommet & rust from the thread holes & re-try the installation.

2. Mounting Bracket are not getting Installed properly.

In some cases Illustration images shown in Installation manual may not be the exactly same as per actual vehicle images ,also if Driver / Passenger side mounting brackets are very identical in the design, suggest referring Parts Identification guide to avoid fitment issue.

3. Products are thumping / rattling after installation.

Ensure that all required mounting brackets / hardware's are installed & tighten correctly. Suggest using white lithium / regular grease between the metal to metal contact surfaces.

4. Side Bar is not aligning with vehicle / Step Pads are not aligning with vehicle doors.

Side bar may be interchanged or mounting brackets are not installed at the correct position in the vehicle. Refer Parts identification guide.

5. Missing / Excess Hardware.

Recheck hardware count as per the part list.

6. Product not installing properly.

Ensure make model year, cab length and bed size of your vehicle is listed in the application. All installation steps are followed correctly.



SIDE BAR



HEADACHE RACKS



RUNNING BOARDS



ROCKER GUARDS

Keystone Automotive Operations Inc. (KAO) warrants this product to be free of defects in material and workmanship at the time of purchase by the original retail consumer. KAO disclaims any other warranties, express or implied, including the warranty of fitness for a particular purpose or an intended use. If the product is found to be defective, KAO may replace or repair the product at our option, when the product is returned prepaid, with proof of purchase. Alteration to, improper installation, or misuse of this product voids the warranty. KAO's liability is limited to repair or replacement of products found to be defective, and specifically excludes liability for any incidental or consequential loss or damage.