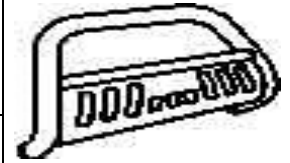




3" Bull Bar

Part No. B0029S/B



Fits: 2015 - Current
2015 - Current

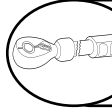
Chevrolet Colorado
GMC Canyon



REMOVE CONTENTS FROM BOX. VERIFY ALL PARTS ARE PRESENT.



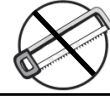
READ INSTRUCTIONS CAREFULLY BEFORE STARTING INSTALLATION.



DO NOT OVER TORQUE. STANDARD OPERATING LOAD FOR TIGHTEN BODY MOUNT NUTS & BOLTS VARIES FROM 45 TO 65 FOOT POUND.



60-180 min



Cutting Not Required



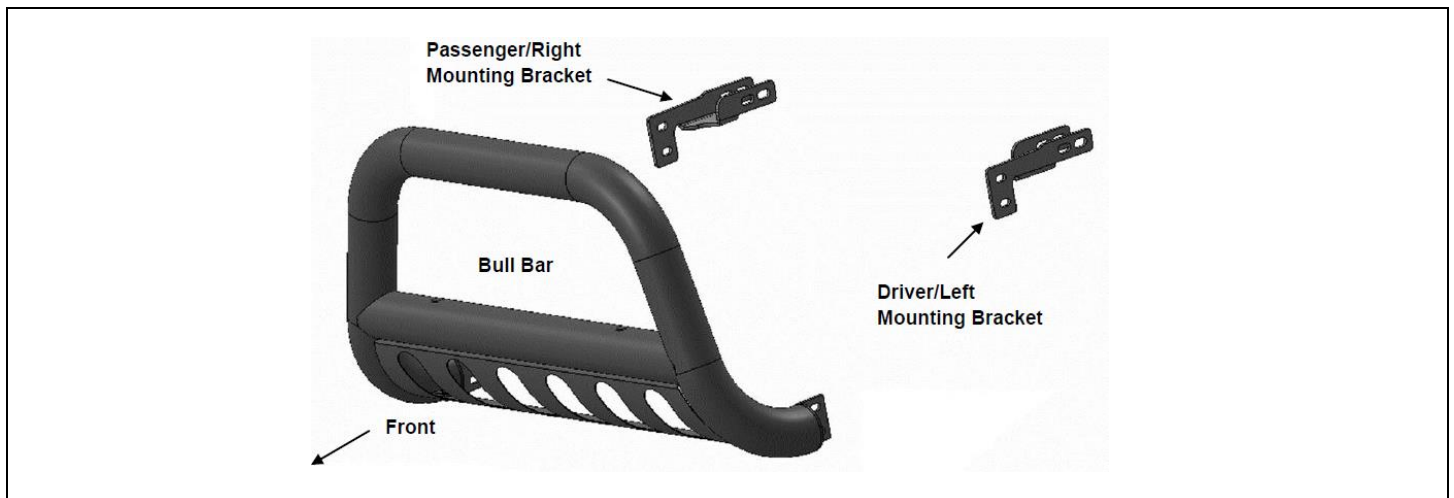
Drilling Not Required



POLISHED STAINLESS STEEL – LIMITED LIFETIME
POWDER COATED BLACK – 3 YEARS

PARTS LIST:

Qty	Part Description	Qty	Part Description
1	Bull Bar	4	12-1.75mm Nylon Lock Nuts
1	Passenger/Right Mounting Bracket	6	10-1.5mm x 30mm Hex Bolts
1	Driver/Left Mounting Bracket	12	10mm x 24mm OD x 2.2mm Flat Washers
2	12-1.75mm x 80mm Hex Bolts	6	10-1.5mm Nylon Lock Nuts
2	12mm x 24mm OD x 2.5mm Flat Washers		



INSTALLATION PROCEDURE:

REMOVE CONTENTS FROM BOX AND VERIFY ALL PARTS ARE PRESENT. READ INSTRUCTIONS CAREFULLY. CUTTING MAY BE REQUIRED. INSTALLATION MAY INTERFERE WITH FRONT MOUNTED SENSORS.

NOTE: It may be necessary to remove/relocate front license plate and license plate bracket. It is not required, but strongly recommended. If local/state law requires a front license plate, license plate relocation kit is available.

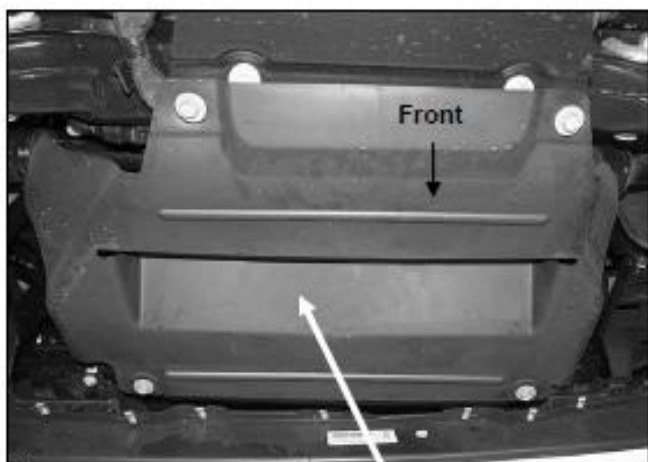
1. Start installation from under the front of the vehicle. Remove the plastic splash guard from below-behind bumper, **(Figure 1)**. Determine if the vehicle is equipped with tow hooks. **IMPORTANT:** Tow hooks cannot be reinstalled with the Bull Bar. Also, it may be necessary to temporarily remove the factory skid plate, (if equipped), to access the mounting locations.

Tow Hook equipped vehicles:

- a. Remove the driver side tow hook and hardware from the end of the frame channel, **(Figures 2 & 3)**. Also remove the seal between the opening in the bumper and the tow hook, **(Figure 4)**.
- b. Repeat to remove the passenger side tow hook.
- c. Proceed to **Step 2**.

2. **Vehicles without tow hooks:**

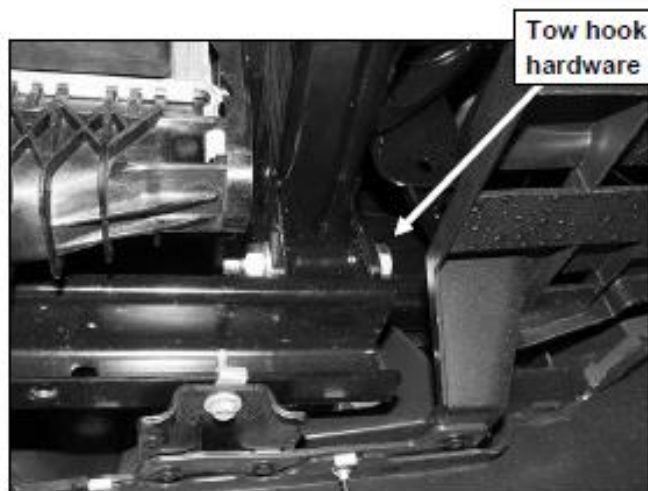
- a. Cut out the indented area in both sides of the plastic bumper to clear the Brackets as pictured, (**Figures 4 & 5**). **IMPORTANT:** Make several small cuts for best fit. **OPTION:** Cut around the Bracket as indicated, (**Figure 5**), or cut along the rectangular cut line molded into the pocket.
2. Select the driver side Mounting Bracket. Insert the Bracket through the opening in the bumper and up to the tow hook mounting holes, (**Figures 7 & 8**). Trim the plastic as required Bracket clearance.
3. Line up the (2) holes in the Bracket with the (2) holes in the frame for the tow hook. Select (2) 12mm x 80mm Long Hex Bolts and (2) 12mm Flat Washers, (**Figure 8**). Insert the Bolts with Washers through the Bracket and the (2) holes through the frame, (**Figure 7**). Secure with (2) 12mm Flat Washers and (2) 12mm Nylon Lock Nuts. Do not fully tighten hardware at this time.
4. Repeat **Steps 2 & 3** to install the passenger side Mounting Bracket.
5. With assistance, hold the Bull Bar up in position on the outside of the Mounting Brackets. Bolt the Bull Bar to the Brackets with (4) 10mm x 30mm Hex Bolts, (8) 10mm Flat Washers and (4) 10mm Nylon Lock Nuts, (**Figure 9**). Do not tighten hardware at this time.
6. Check the Bull Bar alignment with the vehicle and for clearance between the Bull Bar and the bumper. Adjust as required then fully tighten all hardware at this time.
7. Reinstall the plastic splash guard or skid plate removed in **Step 1**, (**Figure 1**).
8. Do periodic inspections to the installation to make sure that all hardware is secure and tight.



(Fig 1) Remove splash guard or skid plate from bottom of engine behind bumper if necessary



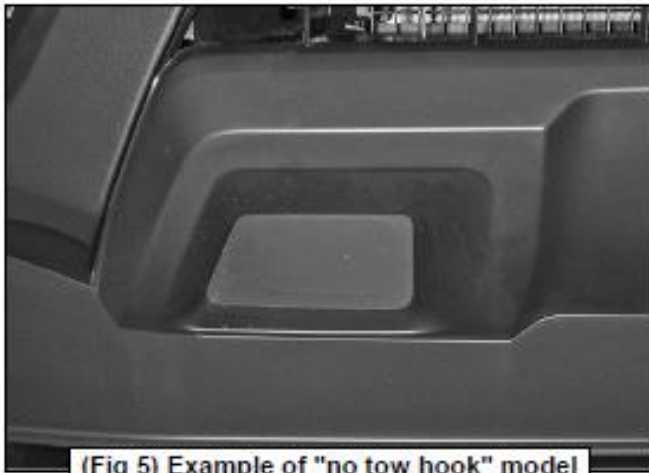
(Fig 2) Passenger side tow hook



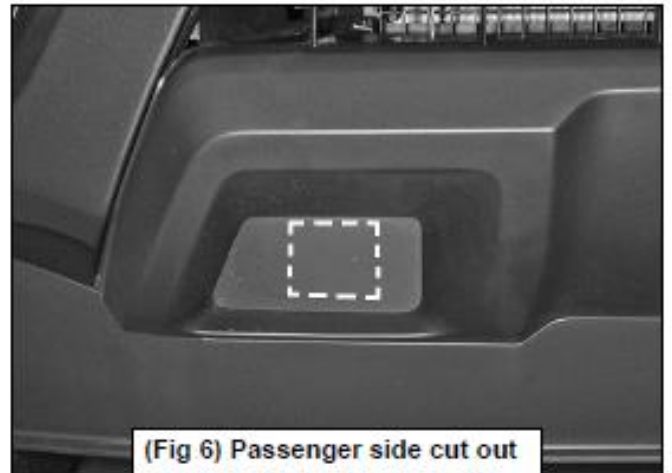
(Fig 3) Passenger side pictured from behind bumper



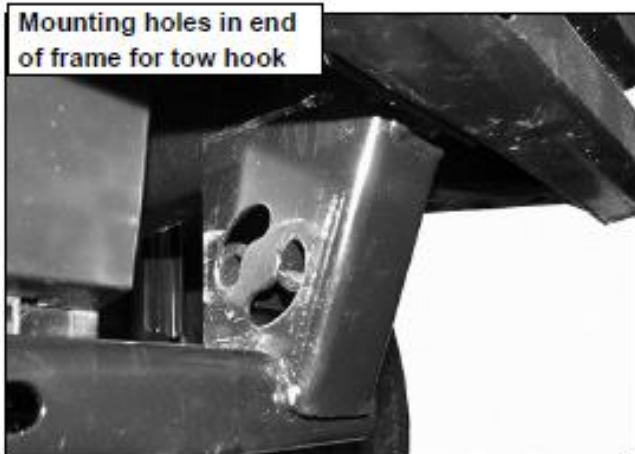
(Fig 4) Driver side mounting location



(Fig 5) Example of "no tow hook" model

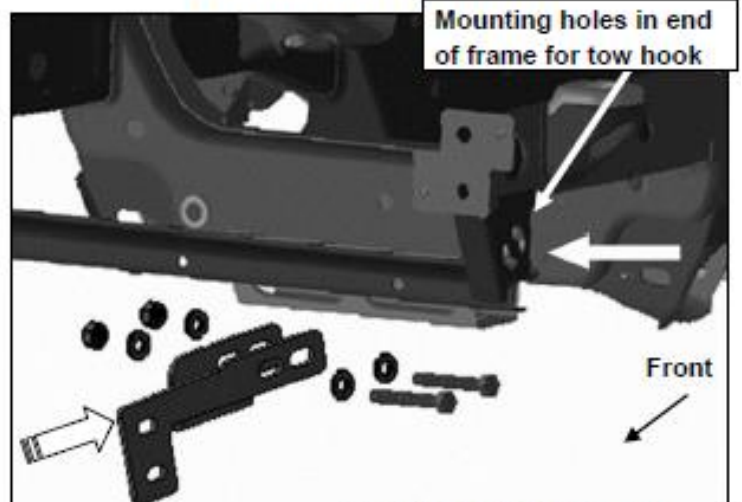


(Fig 6) Passenger side cut out illustrated for reference only



Mounting holes in end of frame for tow hook

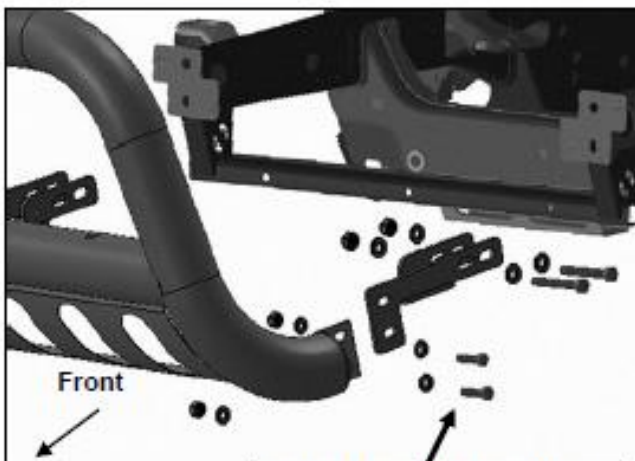
(Fig 7) Driver side pictured without bumper for instruction purposes only. Do not remove bumper



Mounting holes in end of frame for tow hook

Fig 8

- (2) 12mm x 80mm Hex Bolts
- (4) 12mm Flat Washers
- (2) 12mm Nylon Lock Nuts



Front

- (2) 10mm x 30mm Hex Bolts
- (4) 10mm Flat Washers
- (2) 10mm Nylon Lock Nuts

Fig 9



Complete Installation

PRODUCT CARE

- Periodically check the product to ensure all fasteners are tight and components are intact.
- Regular waxing is recommended to protect the finish of the product.
- **Use ONLY Non-Abrasive automotive wax.** Use of any soap, polish or wax that contains an abrasive is detrimental and can scratch the finish leading to corrosion.
- Aluminum polish may be used to polish small scratches and scuffs for **Stainless Steel finish.**
- Mild soap may be used to clean the product for both **Stainless Steel and Black finish.**

FAQ'S

1. Hardware's are not of correct size.

In GMC / Chevrolet truck model 2006 & up, customer needs to reuse the factory body bolts to install the bracket. If your vehicle is not GMC / Chevrolet 2006 & up, ensure that holes are not partially covered with any plastic grommet or rust? If it is, remove the plastic grommet & rust from the thread holes & re-try the installation.

2. Mounting Bracket are not getting Installed properly.

In some cases Illustration images shown in Installation manual may not be the exactly same as per actual vehicle images ,also if Driver / Passenger side mounting brackets are very identical in the design, suggest referring Parts Identification guide to avoid fitment issue.

3. Products are thumping / rattling after installation.

Ensure that all required mounting brackets / hardware's are installed & tighten correctly. Suggest using white lithium / regular grease between the metal to metal contact surfaces.

4. Side Bar is not aligning with vehicle / Step Pads are not aligning with vehicle doors.

Side bar may be interchanged or mounting brackets are not installed at the correct position in the vehicle. Refer Parts identification guide.

5. Missing / Excess Hardware.

Recheck hardware count as per the part list.

6. Product not installing properly.

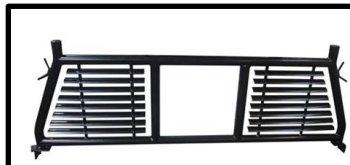
Ensure make model year, cab length and bed size of your vehicle is listed in the application. All installation steps are followed correctly.



SIDE BARS



ROCKER GUARD



HEADACHE RACKS



RUNNING BOARDS

Keystone Automotive Operations Inc. (KAO) warrants this product to be free of defects in material and workmanship at the time of purchase by the original retail consumer. KAO disclaims any other warranties, express or implied, including the warranty of fitness for a particular purpose or an intended use. If the product is found to be defective, KAO may replace or repair the product at our option, when the product is returned prepaid, with proof of purchase. Alteration to, improper installation, or misuse of this product voids the warranty. KAO's liability is limited to repair or replacement of products found to be defective, and specifically excludes liability for any incidental or consequential loss or damage.