

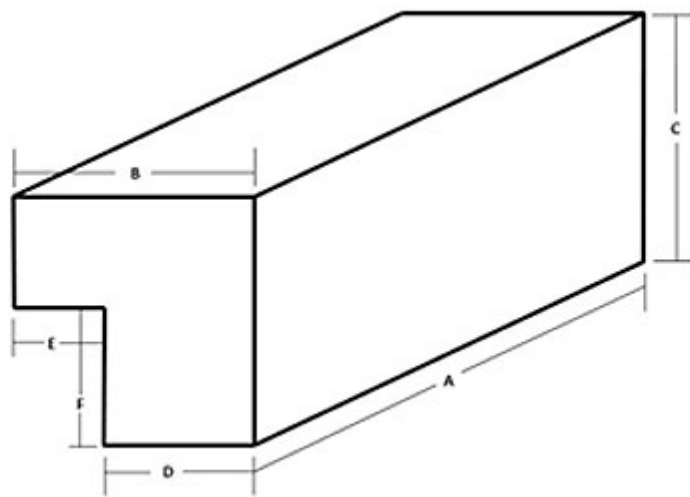


## Aluminum Side Mount Tool Boxes



### Side Mount Tool Boxes

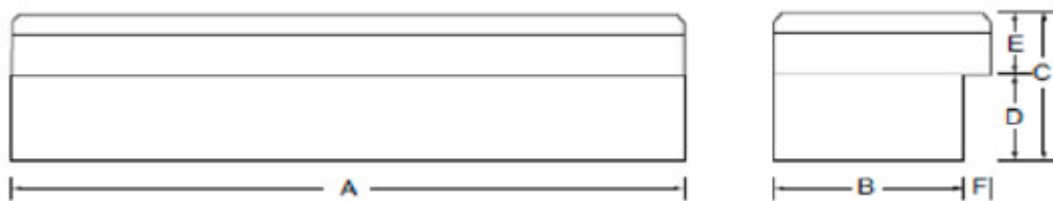
- Universal design allows box to fit multiple applications
- Three lengths available: 48, 60, and 72 inches



Dimensions shown in inches\*

Brite Part No.	Description	A	B	C	D	E	F	Cu Ft
160721	72-Inch Side Mount Tool Box	72	11-1/4	11	7	4.5	6-3/4	4.4
160601	60-Inch Side Mount Tool Box	60	11-1/4	11	7	4.5	6-3/4	3.7
160481	48-Inch Side Mount Tool Box	48	11-1/4	11	7	4.5	6-3/4	3.0

## Steel Side Mount Tool Boxes



Dimensions shown in inches\*

Description	Wt (Lbs)	A	B	C	D	E	F	G	Cu ft	Part No.
48" Steel Black Side Mount	45	48.25	8.00	12.00	6.00	6.00	4.25	-	4.1	160482S
48" Steel Matte Black Side Mount	45	48.25	8.00	12.00	6.00	6.00	4.25	-	4.1	160483S
48" Steel White Side Mount	45	48.25	8.00	12.00	6.00	6.00	4.25	-	4.1	160481S
70" Steel White Side Mount	60	70.25	8.00	15.00	8.00	7.00	4.25	-	7.6	160701S

### Tool Box Features:

- The widest selection of sizes and styles in the industry
- Superior quality yet economically priced to fit your budget

### Lid Design

The TrailFX lid has two layers of aluminum and a higher density foam fill than any of the competitive boxes on the market. These features make the TrailFX lid the strongest, most rigid lid on the market while adding both strength and security for the life of the unit.

### Body Design

The body of the TrailFX box also features fully welded TIG seams and the built-in small parts storage bin, a patented feature. The built-in small parts storage bin adds strength to the end of the box. Others in the industry tack weld in additional pieces of metal to accomplish a similar result with inferior strength. TrailFX does not compromise.

### Latching System

The TrailFX latching system features a high-quality stainless steel latch for lasting durability and convenience. The patented up-and-over rod does not encumber the working space of the box and keeps the rod out of harm's way, prolonging the life of the latching system. The double-bitted steel keys make locking and unlocking the box easy in all conditions.

### Shocks

The TrailFX box features easy one-hand entry through the use of a self-opening shock.

### Tool Box Features:

- Constructed with heavy-duty 16 gauge steel
- No-weld installation bolts lid onto box body for heavy rugged long life
- Includes no-drill mounting hardware and non-skid mounts