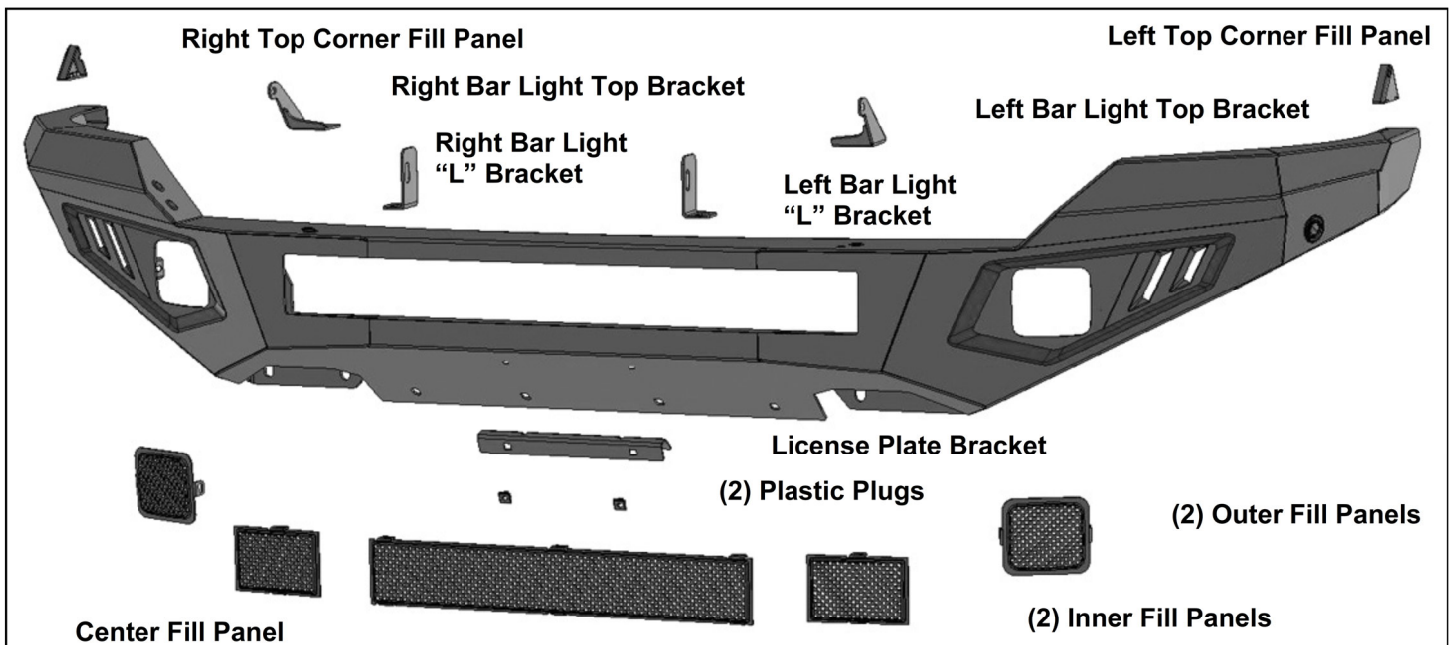




PARTS LIST: X3B-DRAM38-FB

1	LD2 Front Bumper Assembly	4	8-1.25mm x 25mm Button Head Bolts
1	Driver/left Top Corner Filler Panel	2	8-1.25mm x 25mm Hex Bolts
1	Passenger/right Top Corner Filler Panel	2	8-1.25mm x 16mm Hex Bolts (LED light bar)
1	Long Center Mesh Plate	14	8mm x 24mm Flat Washers
2	Short Inner Mesh Plates	8	8mm Lock Washers
2	Small Outer Mesh Plates	6	8mm Hex Nuts
1	Driver/Left Bumper Top Light Mount	14	6-1.0mm x 20mm Combined Hex Bolt
1	Passenger/Right Bumper Top Light Mount	6	6mm x 20mm Button Head Bolts
1	Driver/left "L" Bracket (center LED light)	2	6mm x 16mm Hex Bolts
1	Passenger/right "L" Bracket (center LED light)	6	6mm x 18mm x 1.6mm Flat Washers
1	License Plate Bracket	4	6mm x 12mm x 1.5mm Flat Washers
2	Plastic Plugs for license plate mount	6	6mm Lock Washers
6	12-1.75mm x 35mm Hex Bolt	2	6mm Nylon Lock Nuts
12	12mm x 32mm x 3mm Flat Washers	14	6mm Flange Nuts
6	12mm Lock Washers	1	5mm Wrench
6	12mm Hex Nuts	1	4mm Wrench



PROCEDURE:

REMOVE CONTENTS FROM BOX. VERIFY ALL PARTS ARE PRESENT. READ INSTRUCTIONS CAREFULLY BEFORE STARTING INSTALLATION. BUMPER IS HEAVY, ASSISTANCE IS HIGHLY RECOMMENDED TO AVOID POSSIBLE INJURY OR DAMAGE TO THE VEHICLE.

1. Remove the license plate and bracket. Remove lower air dam, **(Figure 1)**. **NOTE:** Air dam is attached with many 2pc retaining clips. Pry up center of pin to release and remove clips.
2. On models with factory fog lights and/or sensors, unplug wiring harness leading to bumper, **(Figure 2)**. Move harness away from bumper.
3. Next, remove the plastic fascia fill panel between the headlights and the top of the bumper. **NOTE:** Release inner fender liner to access hardware attaching the ends of fascia panel to the bottom of the

front fenders, (**Figures 3 & 4**). On some model years, it may be necessary to temporarily remove the grille to remove the fascia or 1pc plastic bumper cover.

4. Place blocks or jack stands under the bumper to support it during mounting bolt removal. Once the bumper has been safely supported, remove the (3) hex nuts attaching each bumper bracket to the end of the frame, (**Figure 5**). On models with tow hooks, (2) of the hex nuts attach the “L” bracket for the tow hooks to the back of the bumper bracket. Remove the (2) hex nuts but do not remove the “L” brackets and tow hooks, (**Figure 6**). **WARNING!** Assistance is required to hold bumper in place during hardware removal to prevent the bumper from falling.
5. Slide the bumper assembly off of the end of the frame and tow hooks if equipped.
6. Next, remove the plastic inner support blocks from the bottom of the headlights, (**Figure 7**).
7. If front license plate is required, attach the License Plate Bracket to the holes in the bumper with the included (2) 6mm x 20mm Button Head Screws, (4) 6mm x 18mm Large Flat Washers and (2) 6mm Nylon Lock Nuts. Insert (2) Plastic Plugs into the square holes in the Bracket. Reuse the factory screws to attach the license plate to the plastic plugs, (**Figure 8**).
8. Carefully unwrap the Bumper assembly. Determine if accessory lights, (not included), or Screen Fill Panels will be installed at this time. **NOTE:** It may be easier to install Center Fill Panels and/or lights before installing Bumper.

IMPORTANT: On models equipped with front parking sensors, a Sensor Relocation Kit must be purchased to reinstall parking sensors. Kit is available separately.

Screen Fill Panel Installation (do not install fill panels if installing lights).

- a. Select desired Screen Fill Panels. **NOTE:** Outer Panels are square with rounded corners, Inner panels are rectangular with sharp corners, (**Figure 9**).
- b. Attach Screen Fill Panels as needed with the included 6mm Button Head Combo Bolts and 6mm Flange Nuts, (**Figures 9 & 10**). Fully tighten Fill Panel hardware at this time. Repeat to install all Panels as desired.

Inner center LED bar style light installation (light not included).

- a. Select the driver/left “L” Light Bar Bracket. **NOTE:** “L” Brackets are offset to adjust for different widths of LED Bar Lights and can be installed on either side as needed.
- b. Attach the L Bracket to the slot on the back of the Bumper with (1) 8mm x 25mm Hex Bolt, (2) 8mm Flat Washers, (1) 8mm Lock Washer and (1) 8mm Hex Nut, (**Figure 11**). Repeat this Step to install the remaining “L” Bracket on the other side of the Bumper. **IMPORTANT:** The Bumper features slots designed for 20” and 30” bar style lights. Attach the Brackets to the correct slots in the Bumper. If necessary, hold the light up to the slots to help determine correct slots to use and combination of Brackets.
- c. Attach the light to the “L” Brackets with the hardware included with the light or the supplied (2) 8mm x 16mm Hex Bolts, (2) 8mm Lock Washers and (2) 8mm Flat Washers or (2) 6mm x 16mm Hex Bolts, (2) 6mm Lock Washers and (2) 6mm Flat Washers, (**Figures 11 & 12**). Do not fully tighten hardware at this time.

Top mounted 30” bar style LED light (not included).

- a. Remove the (2) rubber plugs from the driver/left side mounting holes, (**Figure 13**).
- b. Select the driver/left Light Bracket. Attach the Bracket to the top of the Bumper with (2) 8mm x 25mm Button Head Bolts, (4) 8mm Flat Washers, (2) 8mm Lock Washers and (2) 8mm Hex Nuts, (**Figure 13**). Do not tighten hardware at this time.
- c. Repeat previous Steps to attach the passenger/right Bracket.
- d. Select the 30” light, (not included). Attach light to Top Brackets with the hardware included with the light. Adjust the width of the Brackets to the light and fully tighten bracket hardware.
IMPORTANT: Top Light Brackets are designed to install 30” bar style LED lights with outside length dimensions of 31.653” (804mm) to 32.44” (824mm) only, (**Figure 14**). Fully tighten top light hardware once adjusted.

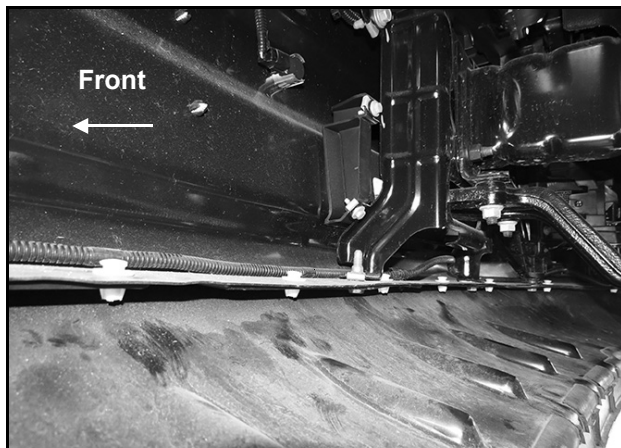
Outer LED cube style light installation (light not included).

- a. Attach lights to mounting tabs on back of each end of the Bumper, (**Figure 16**).
9. With assistance, position the LD2 Bumper Assembly up to the end of the frame. Temporarily support the weight of the Bumper. **WARNING:** To avoid possible injury or damage to the vehicle, do not

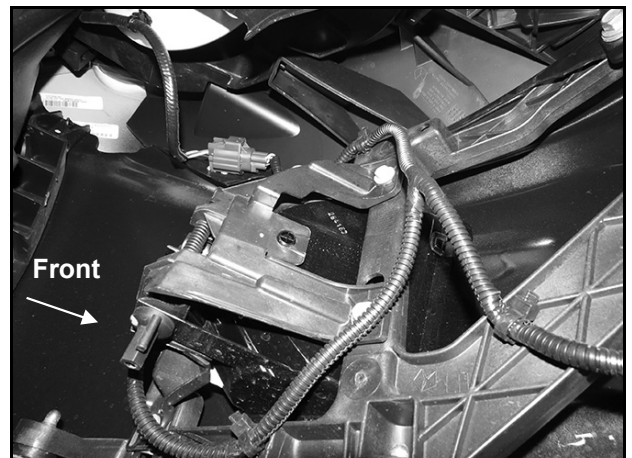
proceed until the Bumper is fully and safely supported. **NOTE:** It may be easier to install accessory lights before installing the Bumper, (models with tow hooks for example). See **Step 8** regarding lighting if desired.

10. Attach the driver/left side of the Bumper to the frame with (3) 12mm x 35mm Hex Bolts, (6) 12mm Flat Washers, (3) 12mm Lock Washers and (3) 12mm Hex Nuts, (**Figures 15 & 16**). Do not fully tighten at this time. Repeat this **Step** to attach the passenger/right side of the Bumper to the frame.
11. Select the driver/left triangle shaped Top Corner Fill Panel, (**Figure 17**). Attach the Panel to the top of the bumper with (2) 6mm x 20mm Button Head Screws, (2) 6mm Lock Washers and (2) 6mm x 12mm Small Flat Washers, (**Figure 17**). **NOTE:** The Driver and passenger side Top Corner Fill Panels look similar but are unique. The side of the triangle with the small notch, (**Figure 17**), will go toward the rear, (toward the fender). Repeat to install the passenger/right Top Corner Fill Panel.
12. Level and adjust the bumper and fully tighten all hardware.
13. Do periodic inspections to the installation to make sure that all hardware is secure and tight.

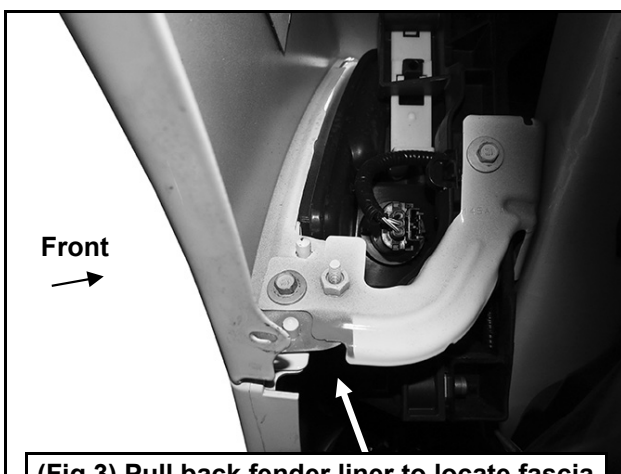
To protect your investment, Do not use any type of polish or wax that may contain abrasives that could damage the finish. Mild soap may be used to clean the Bumper assembly.



(Fig 1) Release clips (arrow) to remove air dam (pictured from behind bumper-tow hook equipped)



(Fig 2) Unplug lights and sensors if equipped. Unplug harness to bumper and move harness

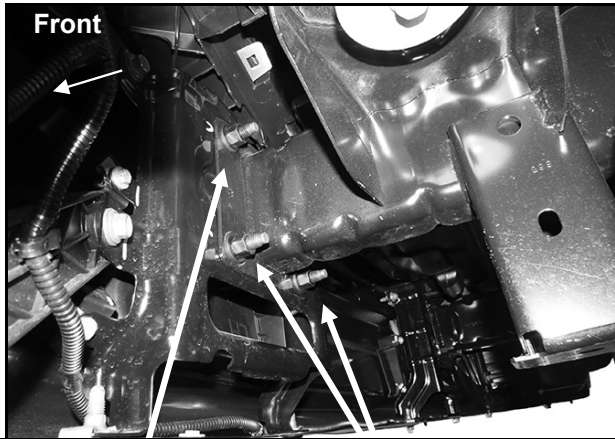


(Fig 3) Pull back fender liner to locate fascia attachment at bottom of front fender



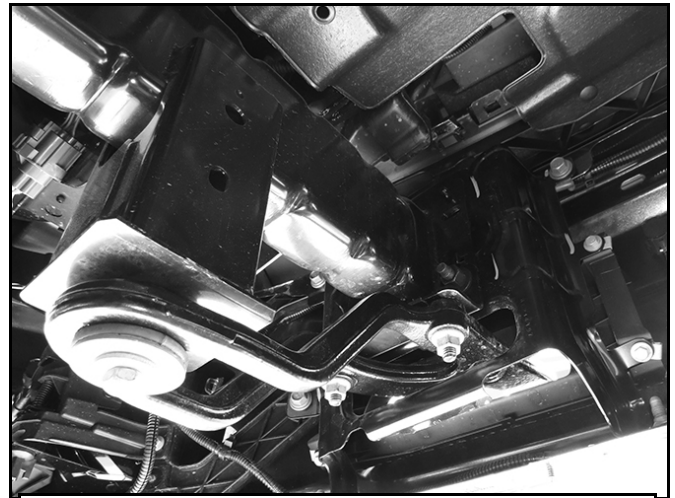
(Fig 4) Remove fascia body panel from top of bumper

Driver Side Installation Pictured

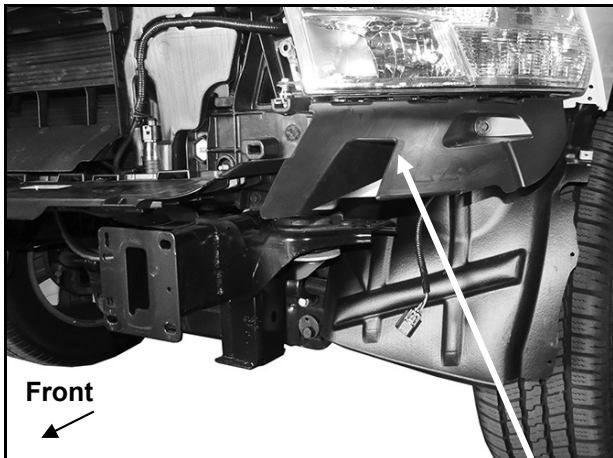


(Fig 5) Remove (3) factory hex nuts from each side

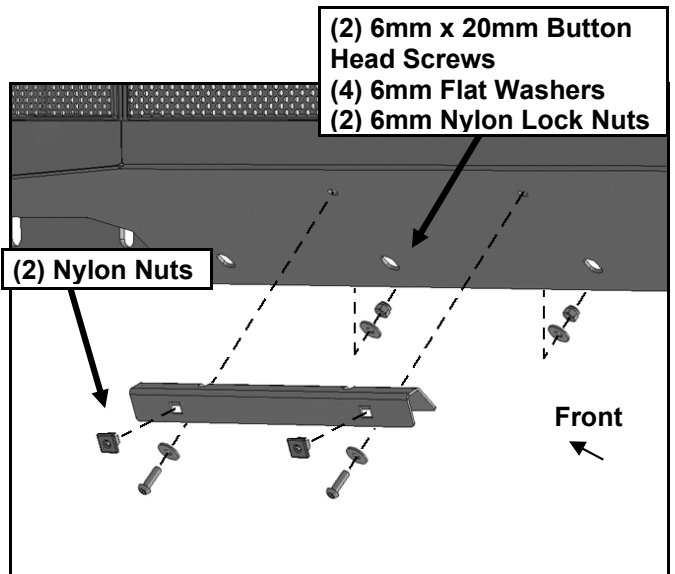
WARNING! Do not remove bumper bolts unless the bumper is properly supported on blocks or stands or it may fall.



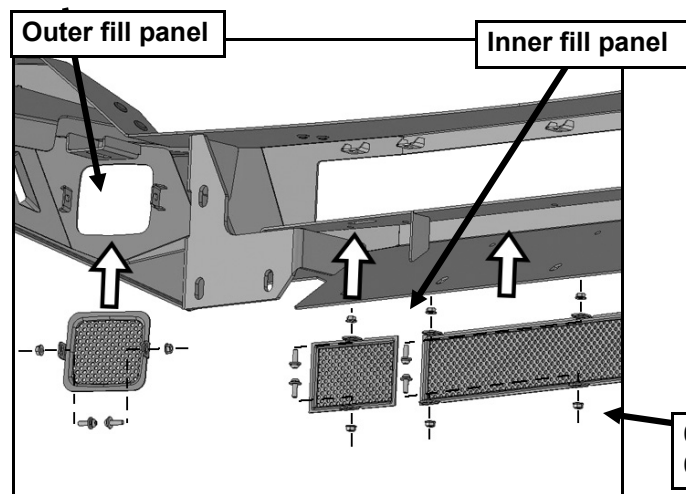
(Fig 6) Models with tow hooks, remove hex nuts attaching bumper but leave tow hook in place



(Fig 7) Remove plastic block from below headlight

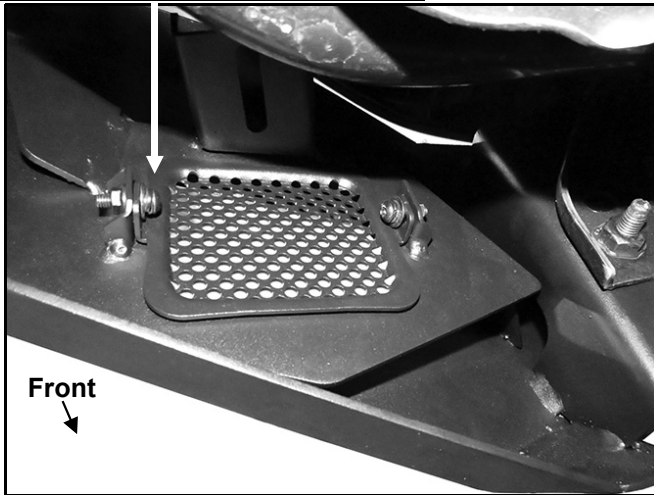


(Fig 8) Attach License Plate Bracket to Bumper



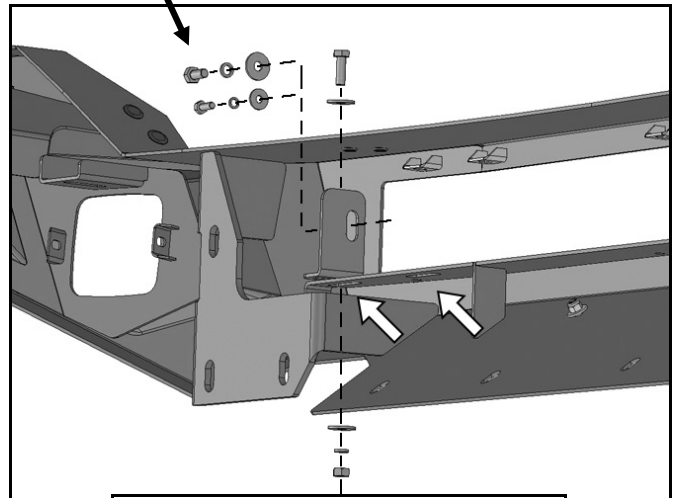
(Fig 9) Attach Mesh Fill Panels as desired to fill unused openings for lights (lights not included)

6mm Button Head Combo Bolts
 6mm Flange Hex Nuts



(Fig 10) Driver/left outer Mesh Fill Panel installed

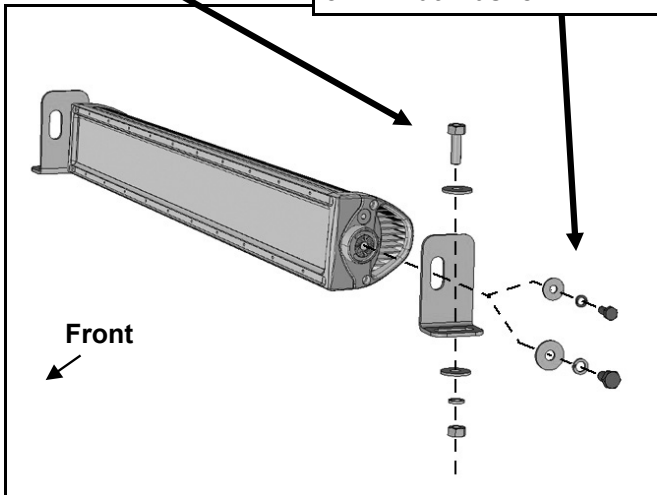
6mm x 16mm Hex Bolt
 6mm Lock Washer
 6mm Flat Washer
 Or
 8mm x 16mm Hex Bolt
 8mm Lock Washer
 8mm Flat Washer



(Fig 11) Note multiple slots for different widths of lights (arrows)

8mm x 25mm Hex Bolt
 (2) 8mm Flat Washers
 8mm Lock Washer
 8mm Hex Nut

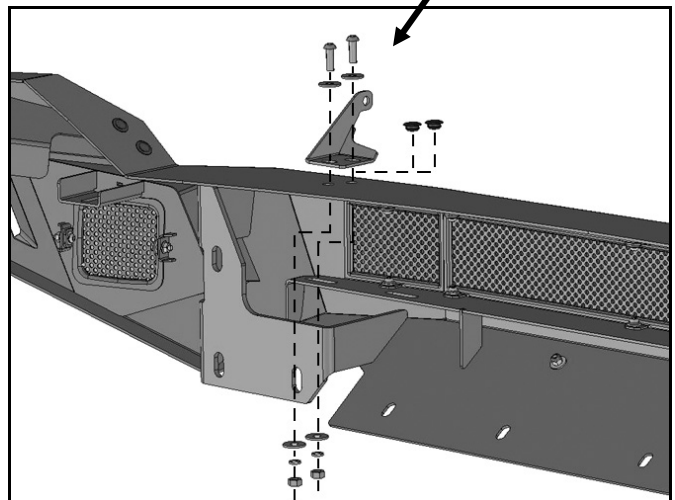
6mm x 16mm Hex Bolt
 6mm Lock Washer
 6mm Flat Washer
 Or
 8mm x 16mm Hex Bolt
 8mm Lock Washer
 8mm Flat Washer



(Fig 12) Bracket illustration is a suggestion only. Brackets are offset to allow adjustment for all widths of lights

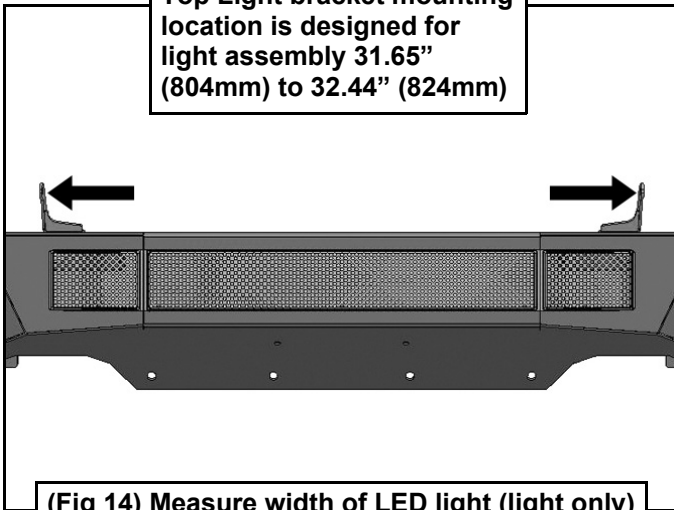
WARNING! Do not crawl under bumper unless the bumper is properly supported on blocks or stands or the bumper may fall.

(2) 8mm x 25mm Button Head Bolts
 (4) 8mm Flat Washers
 (2) 8mm Lock Washers
 (2) 8mm Hex Nuts



(Fig 13) Remove rubber plugs to attach Top Light Bracket to Bumper

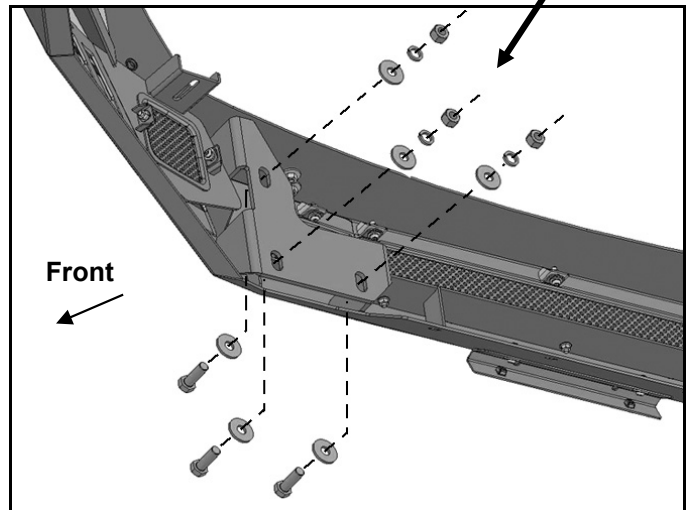
Top Light bracket mounting location is designed for light assembly 31.65" (804mm) to 32.44" (824mm)



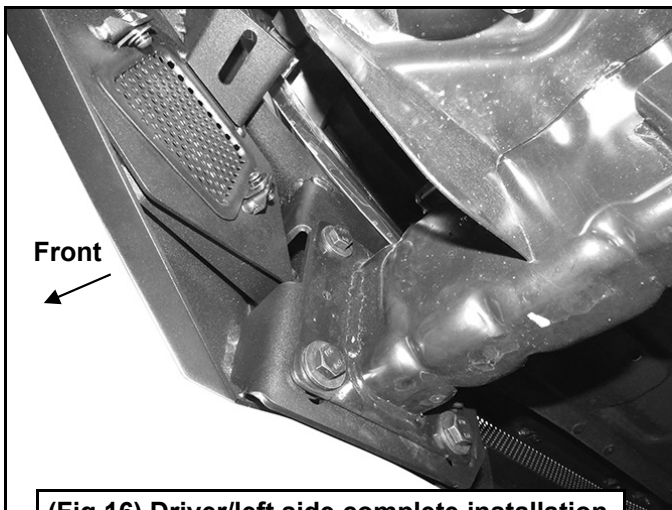
(Fig 14) Measure width of LED light (light only) before installation of Top Light Brackets

WARNING! Do not crawl under bumper unless the bumper is properly supported on blocks or stands or the bumper may fall.

- (3) 12mm x 35mm Hex Bolts
- (6) 12mm Flat Washers
- (3) 12mm Lock Washers
- (3) 12mm Hex Nuts



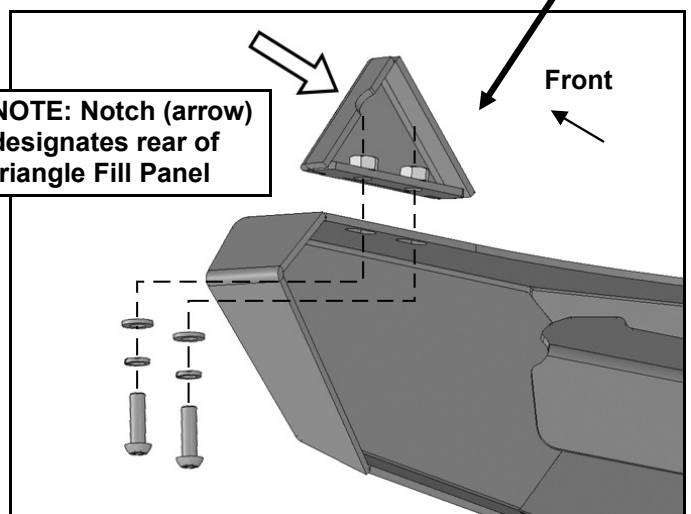
(Fig 15) Attach Bumper assembly to end of frame



(Fig 16) Driver/left side complete installation

- (2) 6mm x 20mm Button Head Bolts
- (2) 6mm Lock Washers
- (2) 6mm x 12mm Small Flat Washers

NOTE: Notch (arrow) designates rear of triangle Fill Panel



(Fig 17) Attach Driver/left side triangle Fill Panel to top corner of Bumper assembly



Complete Installation. Light bar hoop available separately