

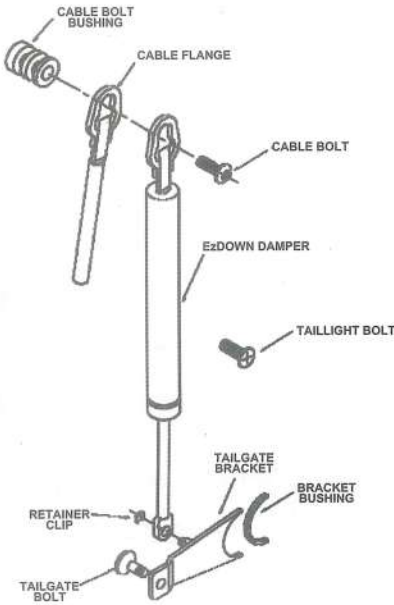
Installation Instructions

**Nissan Frontier
2005 – Present**

Kit Components

Package should include:

Comp.	P/N	Qty
Cable Bolt	000096	1
Cable Bolt Bushing	000220	1
Instruction Sheet	000290	1
Retainer Clip	5323YF	1
Tailgate Bracket	000181	1
Tailgate Bolt	000180	1
Bracket Bushing	000220	1
Taillight Bolt	000352	1



Step 1: Remove Safety Cable

Open tailgate. Remove the cable's flange from the *truck bed's* cable bolt (**DRIVER SIDE ONLY**). Do **NOT** remove safety cable from the *tailgate's* cable bolt.

Step 2: Remove Cable Bolt and washer

Remove cable bolt and washer from truck bed's side panel (**DRIVER SIDE ONLY**).

Step 3: Assemble Cable Bolt and Bushing

Install provided cable bolt into the bolt bushing. **Note:** **Thinner side of bushing goes against head of bolt.**

Thinner Side of Bushing

Step 4: Install Cable Bolt and Bushing

Install new cable bolt with bushing into the truck's bed side and tighten.

Step 5: Attach Safety Cable

Re-Install safety cable to the newly installed cable bushing. Insert safety cable's mounting flange into the **groove closest to the taillight**.



Step 6: Remove Taillight bolt.

Remove existing lower taillight bolt.

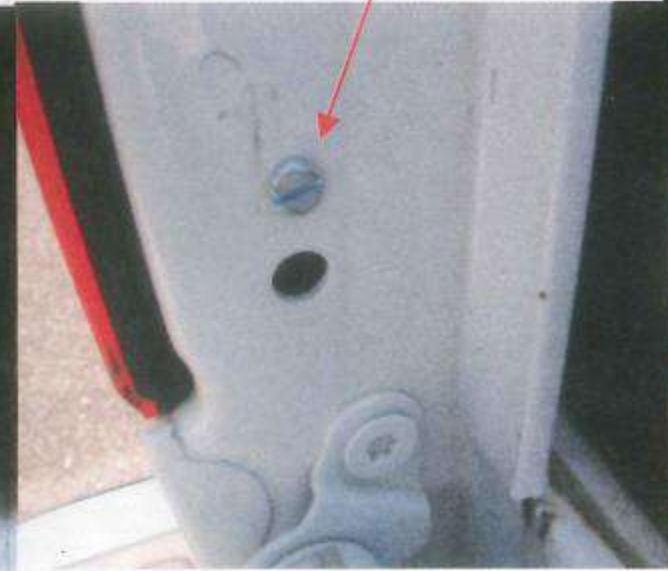
Existing Taillight Bolt



Step 7 : Install New Taillight Bolt

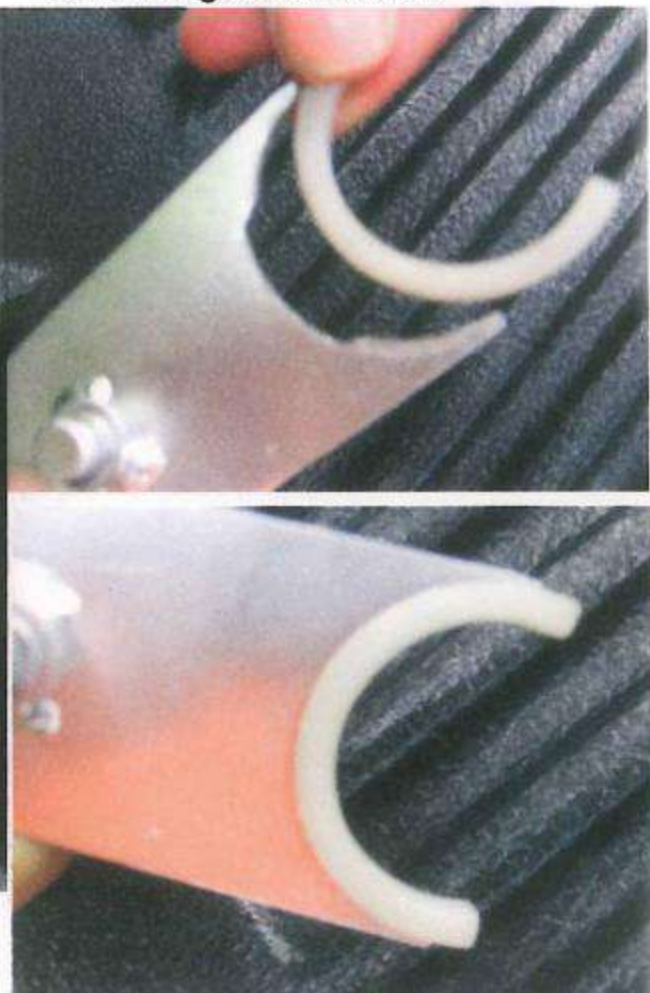
Install new taillight bolt supplied in kit..

New Taillight Bolt



Step 8: Install Plastic Bracket Bushing.

Press plastic bracket bushing onto tailgate bracket.



Step 9: Remove Tailgate Bolt

Remove existing tailgate bolt



Step 10: Install Tailgate Bracket

Place tailgate bracket against the tailgate's side and align bracket hole with the hole from **Step 9**. BRACKET MUST FIT FLUSH AGAINST TAILGATE. Attach bracket using bolt supplied in the kit. DO NOT OVERTIGHTEN.



Step 11: Install Cable Bolt

Attach to the newly installed cable bushing **Step 4**. Note: mounting flange should rest in groove farthest from the truck bed.



Step 12: Install Damper To Tailgate Bracket

Install small end of Damper onto the bracket stud that was installed in **Step 10**. Secure with retainer clip.

