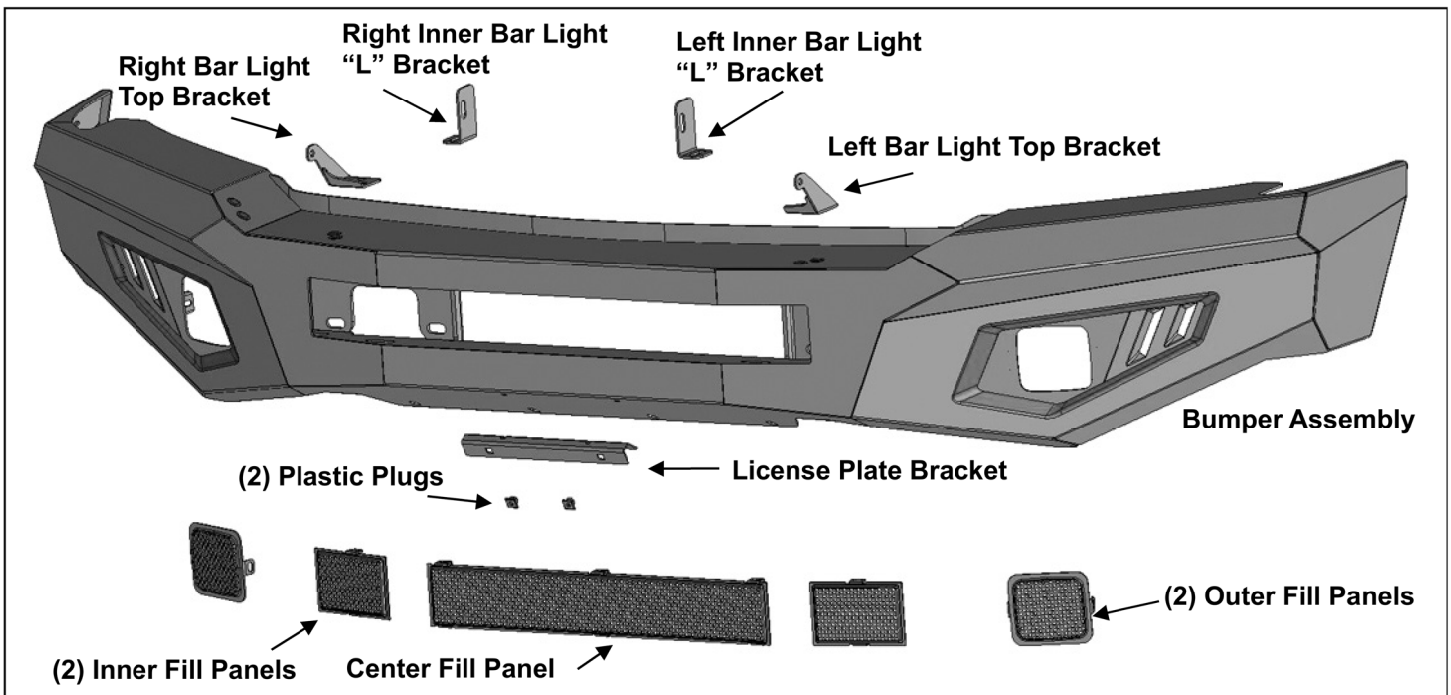




PARTS LIST:

X3B-CSIL36-FB

1	LD2 Front Bumper Assembly	14	8mm x 24mm x 2mm Flat Washers
2	Small Outer Mesh Plate	8	8mm Lock Washer
2	Small Inner Mesh Plate	6	8mm Hex Nut
1	Long Center Mesh Plate	2	6mm x 20mm Button Head Bolts
1	Driver/left Light Bar Bracket (Top LED light)	14	6-1.00mm x 20mm Combo Bolt
1	Passenger/right Light Bar Bracket (Top LED light)	2	6-1.00mm x 16mm Hex Bolt
1	Driver/left "L" Light Bar Bracket (Inner LED light)	6	6mm x 18mm x 1.6 Flat Washers
1	Passenger/right "L" Light Bar Bracket (inner LED light)	2	6mm Lock Washer
1	License Plate Bracket	14	6mm Flange Nut
2	Plastic Plugs for License Plate	2	6mm Nylon Lock Nuts
4	8-1.25mm x 25mm Button Head Bolt	1	5mm Wrench
2	8-1.25mm x 25mm Hex Bolts	1	4mm Wrench
2	8mm x 16mm Hex Bolts		



PROCEDURE:

REMOVE CONTENTS FROM BOX. VERIFY ALL PARTS ARE PRESENT. READ INSTRUCTIONS CAREFULLY BEFORE STARTING INSTALLATION. ASSISTANCE IS HIGHLY RECOMMENDED TO AVOID POSSIBLE INJURY OR DAMAGE TO THE VEHICLE.

1. Open the hood and remove the plastic cover from the top of the grille and radiator, **(Figure 1)**. Models with grille mounted camera, unplug camera if equipped. Next, remove the screws attaching the grille to the radiator core support. Once all hardware has been removed, firmly pull the grille straight out from the vehicle to release the grille from the clips, **(Figure 2)**. Place grille on a clean, soft surface.
2. Remove the license plate and bracket. On models with factory fog lights and/or bumper sensors, unplug the wiring harness leading to the bumper. **NOTE:** Wiring harness connector is located up and behind the passenger/right side of the bumper. Move harness away from bumper.
3. From behind the driver/left side of the bumper, remove the outer bumper support connected to the side of the frame and the outer end of the bumper, **(Figure 3)**.

**LD2 FRONT BUMPER
2019 CHEVY SILVERADO 1500**

4. Locate and remove the hex bolts attaching the bottom of the bumper to the bumper bracket attached to the end of the frame, **(Figure 3)**.
5. Repeat **Steps 3 & 4** to remove the passenger/right bumper support and lower bumper hardware.
6. Move back to the top of the bumper. Pull back the end of the rubber cover between the bumper and the bottom of the radiator to expose the bolts attaching the top of the bumper bracket to the frame bracket, **(Figure 4)**.
7. Place blocks or jack stands under the front bumper to support it during mounting bolt removal. Once the bumper has been safely supported, remove the bumper bolts attaching the bumper assembly to the top of the bumper bracket, **(Figure 4)**. **WARNING!** Assistance is required to hold the bumper in place during bolt removal to prevent the bumper from falling. Carefully slide the bumper assembly with brackets off of the ends of the frame.
8. Remove both bumper brackets from the end of the frame, **(Figure 5)**. **NOTE:** On vehicles equipped with tow hooks, it may be a little easier to reach the mounting hardware with the tow hooks removed.
9. Once bumper has been removed, reinstall the plastic grille, camera if equipped and cover removed in **Step 1**, **(Figure 6)**.
10. Carefully unwrap the Bumper assembly. Determine if accessory lights, (not included), or Screen Fill Panels will be installed at this time. **IMPORTANT:** It may be easier to install Center Fill Panels and/or lights before installing Bumper.

Screen Fill Panel Installation (do not install fill panels if installing lights).

- a. Select desired Screen Fill Panels. **NOTE:** Outer Panels are square with rounded corners, Inner panels are rectangular with sharp corners, **(Figure 7)**.
- b. Attach Screen Fill Panels as needed with the included 6mm Button Head Combo Bolts and 6mm Flange Nuts, **(Figure 7)**. Fully tighten Fill Panel hardware at this time. Repeat to install all Panels as desired.

Inner center LED bar style light installation (light not included).

- a. Select the driver/left "L" Light Bar Bracket. **NOTE:** "L" Brackets are offset to adjust for different widths of LED Bar Lights and can be installed on either side as needed.
- b. Attach the L Bracket to the slot on the back of the Bumper with (1) 8mm x 25mm Hex Bolt, (2) 8mm Flat Washers, (1) 8mm Lock Washer and (1) 8mm Hex Nut, **(Figure 8)**. Repeat this Step to install the remaining "L" Bracket on the other side of the Bumper. **IMPORTANT:** The Bumper features slots designed for 20" and 30" bar style lights. Attach the Brackets to the correct slots in the Bumper. If necessary, hold the light up to the slots to help determine correct slots to use and combination of Brackets.
- c. Attach the light to the "L" Brackets with the hardware included with the light or the supplied (2) 8mm x 16mm Hex Bolts, (2) 8mm Lock Washers and (2) 8mm Flat Washers or (2) 6mm x 16mm Hex Bolts, (2) 6mm Lock Washers and (2) 6mm Flat Washers, **(Figures 8 & 9)**. Do not fully tighten hardware at this time.

Top mounted 30" bar style LED light (not included).

- a. Remove the (2) rubber plugs from the driver/left side mounting holes, **(Figure 10)**.
- b. Select the driver/left Light Bracket. Attach the Bracket to the top of the Bumper with (2) 8mm x 25mm Button Head Bolts, (4) 8mm Flat Washers, (2) 8mm Lock Washers and (2) 8mm Hex Nuts. Do not tighten hardware at this time.
- c. Repeat previous Steps to attach the passenger/right Bracket.
- d. Select the 30" light, (not included). Attach light to Top Brackets with the hardware included with the light. Adjust the width of the Brackets to the light and fully tighten bracket hardware. **IMPORTANT:** Top Light Brackets are designed to install 30" bar style LED lights with outside length dimensions of 31.653" (804mm) to 32.44" (824mm) only, **(Figure 11)**. Fully tighten top light hardware once adjusted.

Outer LED cube style light installation (light not included).

- a. Attach lights to mounting tabs on back of each end of the Bumper, **(Figure 7)**.
11. With assistance, position the Bumper Assembly up to the frame. Temporarily support the weight of the Bumper. **WARNING:** To avoid possible injury or damage to the vehicle, do not proceed until the Bumper is fully and safely supported.

**LD2 FRONT BUMPER
2019 CHEVY SILVERADO 1500**

12. Line up the (3) holes in the driver/left side mounting plate on the back of the Bumper with the (3) threaded holes in the frame. Reuse the (3) factory bumper bolts to attach the Bumper to the threaded bumper mount, **(Figure 12)**. Do not fully tighten hardware at this time. Repeat this **Step** to attach the passenger/right side of the Bumper to the bumper mount.
13. If front license plate is required, attach the License Plate Bracket to the holes in the bumper with the included (2) 6mm x 20mm Button Head Screws, (4) 6mm Flat Washers and (2) 6mm Nylon Lock Nuts. Insert (2) Plastic Plugs into the square holes in the Bracket. Reuse the factory screws to attach the license plate to the plastic plugs, **(Figure 13)**.
14. Level and adjust the bumper and fully tighten all hardware.
15. Reinstall the tow hooks if previously removed.
16. Do periodic inspections to the installation to make sure that all hardware is secure and tight.

To protect your investment, wax this product after installing. Regular waxing is recommended to add a protective layer over the finish. Do not use any type of polish or wax that may contain abrasives that could damage the finish. Mild soap may be used to clean the Front Bumper assembly.

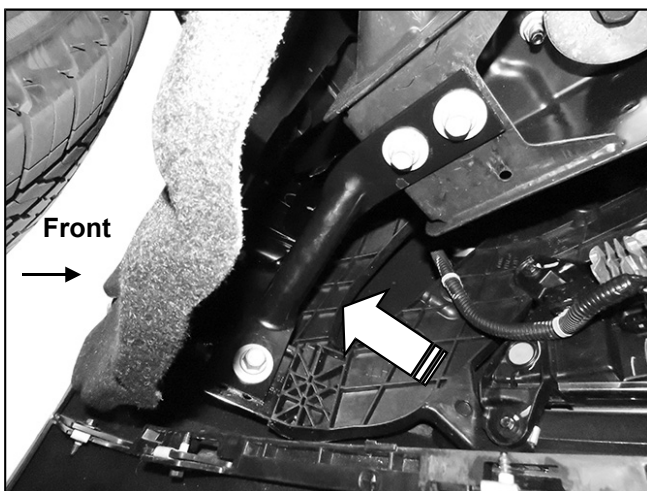
Driver/left Side Installation Pictured



(Fig 1) Remove cover and screws attaching grille



(Fig 2) Firmly pull grille straight out from vehicle



(Fig 3) Remove outer bumper supports (arrow)

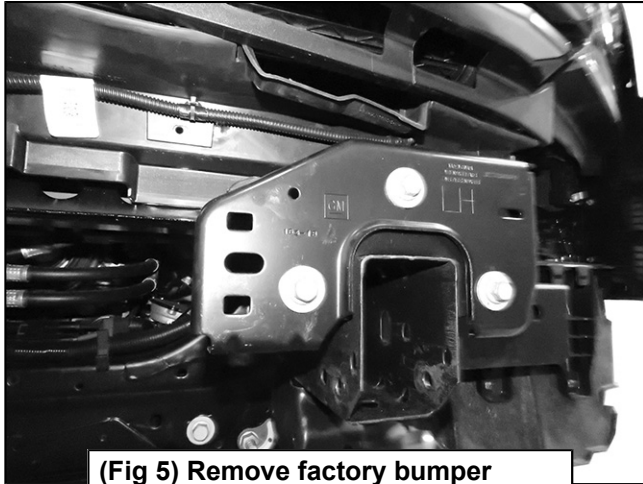


(Fig 4) Pull back cover to locate top bumper bolts

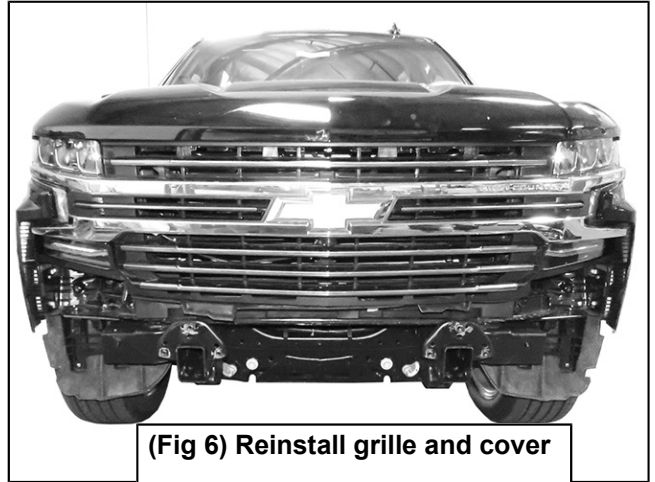
**LD2 FRONT BUMPER
2019 CHEVY SILVERADO 1500**

Driver/left Side Installation Pictured

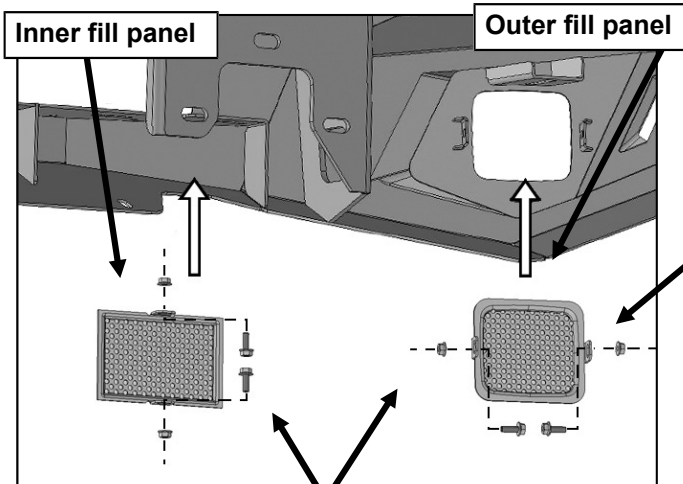
WARNING! Do not crawl under bumper unless the bumper is properly supported on blocks or stands or the bumper may fall.



(Fig 5) Remove factory bumper brackets and tow hooks if equipped



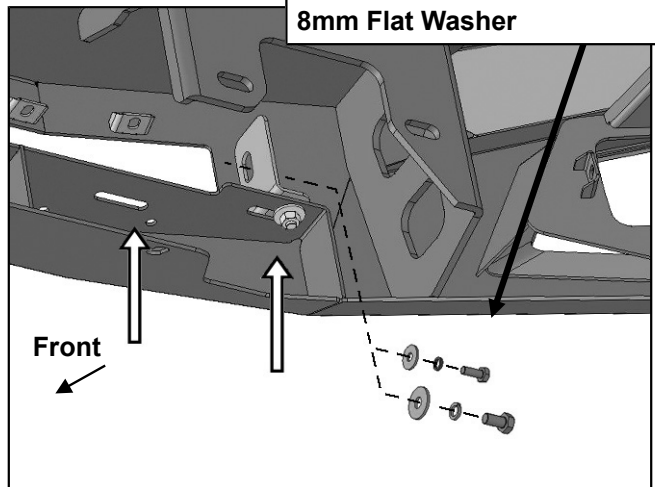
(Fig 6) Reinstall grille and cover



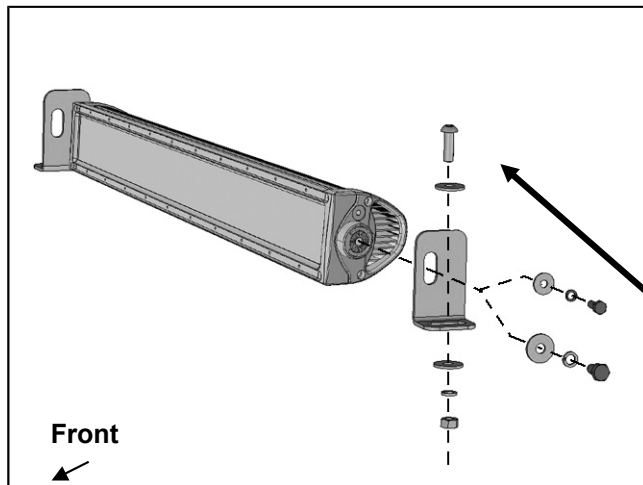
(Fig 7) Attach Mesh Fill Panels as desired to fill unused openings for lights (lights not included)

**6mm Button Head Combo Bolts
6mm Flange Hex Nuts**

**6mm x 16mm Hex Bolt
6mm Lock Washer
6mm Flat Washer
Or
8mm x 16mm Hex Bolt
8mm Lock Washer
8mm Flat Washer**



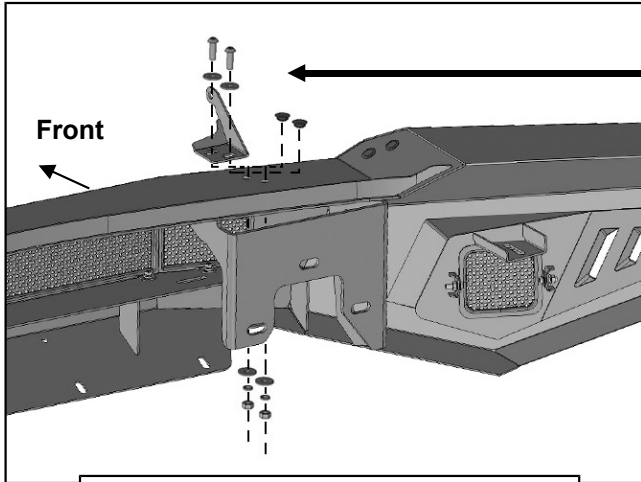
(Fig 8) Note multiple slots for different widths of lights (arrows)



(Fig 9) Push sensor plug into mounting sleeve. Use of 4mm Screws is optional

**8mm x 25mm Button Head Bolt
(2) 8mm Flat Washers
8mm Lock Washer
8mm Hex Nut**

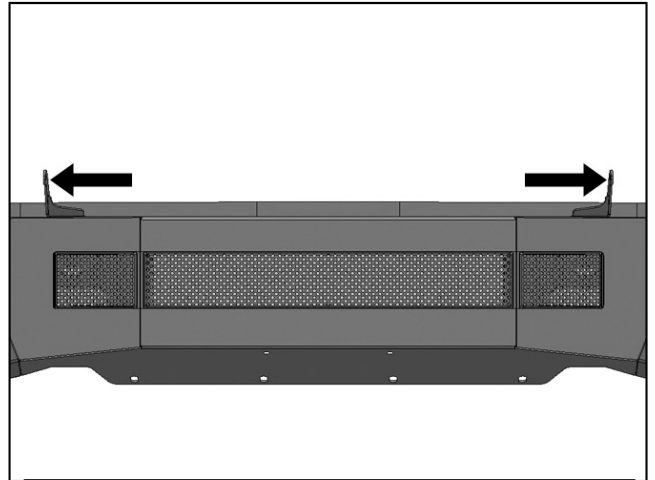
**LD2 FRONT BUMPER
2019 CHEVY SILVERADO 1500**



(Fig 10) Remove rubber plugs to attach Top Light Bracket to Bumper

- (2) 8mm x 25mm Button Head Bolts
- (4) 8mm Flat Washers
- (2) 8mm Lock Washers
- (2) 8mm Hex Nuts

Top Light bracket mounting location is designed for light assembly 31.65" (804mm) to 32.44" (824mm)

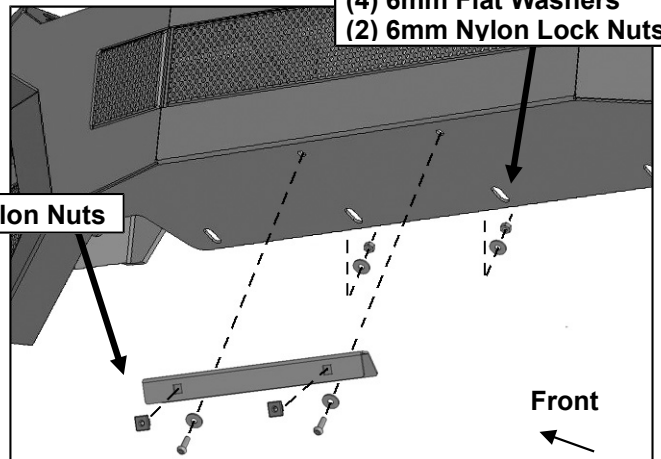


(Fig 11) Measure width of LED light (light only) before installation of Top Light Brackets



(Fig 12) Attach the Bumper to Frame Bracket

- (2) 6mm x 20mm Button Head Screws
- (4) 6mm Flat Washers
- (2) 6mm Nylon Lock Nuts



(2) Nylon Nuts

(Fig 13) Attach License Plate Bracket to Bumper



Complete Installation