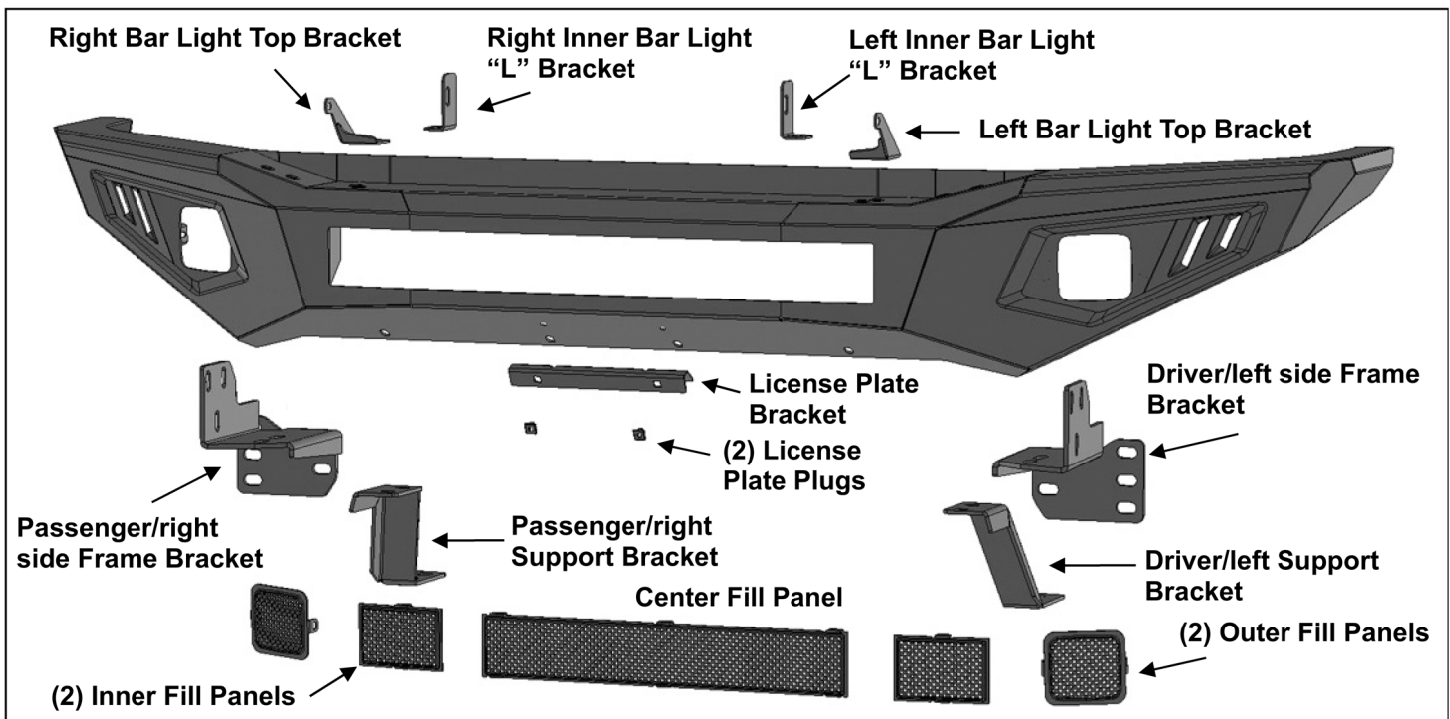




**PARTS LIST:**

**X3B-TTUN80-FB**

1	LD2 Front Bumper	10	10-1.5mm Hex Nuts
1	Driver/left side Frame Bracket	4	8mm x 25 mm Button Head Bolts
1	Passenger/right side Frame Bracket	2	8-1.25mm x 25mm Hex Bolts
1	Driver/left side Support Bracket	2	8-1.25mm x 16mm Hex Bolts
1	Passenger/right side Support Bracket	8	8mm x 28mm x 3mm Large Flat Washers
1	Driver/left side LED "L" Bracket	14	8mm x 24mm x 2mm STD Flat Washers
1	Passenger/right side LED "L" Bracket	8	8mm Lock Washers
1	Driver/left side Top Light Bracket	6	8-1.25mm Hex Nuts
1	Passenger/right side Top Light Bracket	14	6-1.0mm x 20mm Button Head Combo Bolts
1	Long Center Fill Panel	2	6-1.0mm x 20mm Button Head Bolts
2	Small Inner Fill Panels	2	6-1.0mm x 16mm Hex Bolts
2	Small Outer Fill Panels	6	6mm x 18mm x 1.6mm Flat Washers
2	Plastic License Plugs	2	6mm Lock Washers
1	License Plate Bracket	2	6mm Nylon Lock Nuts
10	10-1.50mm x 35mm Hex Bolts	14	6mm Flange Hex Nuts
20	10mm x 34mm x 3mm Large Flat Washers	1	5mm Wrench
10	10mm Lock Washers	1	4mm Wrench



**PROCEDURE:**

REMOVE CONTENTS FROM BOX. VERIFY ALL PARTS ARE PRESENT. READ INSTRUCTIONS CAREFULLY BEFORE STARTING INSTALLATION. BUMPER IS HEAVY, ASSISTANCE IS HIGHLY RECOMMENDED TO AVOID POSSIBLE INJURY OR DAMAGE TO THE VEHICLE.

**INSTALLATION IS NOT COMPATIBLE WITH LASER CONTROLLED CRUISE CONTROL SYSTEMS.**

1. Move to the passenger/right wheel opening. Remove the hardware attaching the plastic cover to the back and bottom of the outer end of the front bumper, (**Figures 1 & 2**). Next, remove the plastic clip attaching the cover to the side of the frame and remove the cover, (**Figure 3**).
2. Repeat **Step 1** to remove the plastic covers from the driver/left side of the vehicle.

**LD2 FRONT BUMPER  
2014-18 TOYOTA TUNDRA**

3. On models with factory fog lights and/or bumper mounted sensors, unplug the harness leading to the front bumper, **(Figure 4)**. **NOTE:** Fog lights and sensors will not be reinstalled.
4. Remove the license plate. Remove hardware attaching plastic cover on bottom of bumper to cross member, **(Figure 5)**. Next, remove both tow hooks.
5. Place blocks or jack stands under the front bumper to support it during mounting bolt removal. Once the bumper has been supported, remove the hex nuts attaching the inner bumper bracket to the end of the frame, **(Figure 6)**. **WARNING!** Assistance is required to hold the bumper in place during hardware removal to prevent the bumper from falling. **NOTE:** For easier access to the top hex nuts attaching the bumper, open the hood and remove the plastic cover from the top of the radiator. Temporarily remove the plastic grille, **(Figure 7)**.
6. With assistance, remove the bumper assembly, **(Figure 8)**.
7. Select passenger/right Frame Bracket, **(Figure 9)**. Place the Bracket onto the (4) factory studs on the mounting plate at the end of the frame. Use the included (4) 8mm x 28mm x 3mm Large Flat Washers and reuse the (4) factory flange nuts to secure the Frame Bracket to the end of the frame, **(Figures 9 & 10)**. Do not tighten hardware at this time.
8. Next, select the passenger/right side Support Bracket, **(Figure 11)**. Attach the Support Bracket to the bottom of the Frame Bracket with the included (2) 10mm Hex Bolts, (4) 10mm Flat Washers, (2) 10mm Lock Washers and (2) 10mm Hex Nuts, **(Figures 11 & 12)**. Leave hardware loose at this time. Reuse the factory tow hook hardware to attach the tow hook to the bottom of the Support Bracket and frame.
9. Repeat **Steps 7 & 8** to attach the driver/left side Frame and Support Brackets and reinstall tow hook.
10. Carefully unwrap the Bumper assembly. Determine if accessory lights, (not included), or Screen Fill Panels will be installed at this time. **IMPORTANT:** It may be easier to install Center Fill Panels and/or lights before installing Bumper.

**Screen Fill Panel Installation (do not install fill panels if installing lights).**

- a. Select desired Screen Fill Panels. **NOTE:** Outer Panels are square with rounded corners, Inner panels are rectangular with sharp corners, **(Figure 13)**.
- b. Attach Screen Fill Panels as needed with the included 6mm Button Head Combo Bolts and 6mm Flange Nuts, **(Figure 13)**. Fully tighten Fill Panel hardware at this time. Repeat to install all Panels as desired.

**Inner center LED bar style light installation (light not included).**

- a. Select the driver/left "L" Light Bar Bracket. **NOTE:** "L" Brackets are offset to adjust for different widths of LED Bar Lights and can be installed on either side as needed.
- b. Attach the L Bracket to the slot on the back of the Bumper with (1) 8mm x 25mm Hex Bolt, (2) 8mm Flat Washers, (1) 8mm Lock Washer and (1) 8mm Hex Nut, **(Figure 14)**. Repeat this Step to install the remaining "L" Bracket on the other side of the Bumper. **IMPORTANT:** The Bumper features slots designed for 20" and 30" bar style lights. Attach the Brackets to the correct slots in the Bumper. If necessary, hold the light up to the slots to help determine correct slots to use and combination of Brackets.
- c. Attach the light to the "L" Brackets with the hardware included with the light or the supplied (2) 8mm x 16mm Hex Bolts, (2) 8mm Lock Washers and (2) 8mm Flat Washers or (2) 6mm x 16mm Hex Bolts, (2) 6mm Lock Washers and (2) 6mm Flat Washers, **(Figures 14 & 15)**. Do not fully tighten hardware at this time.

**Top mounted 30" bar style LED light (not included).**

- a. Remove the (2) rubber plugs from the driver/left side mounting holes, **(Figure 16)**.
- b. Select the driver/left Light Bracket. Attach the Bracket to the top of the Bumper with (2) 8mm x 25mm Button Head Bolts, (4) 8mm Flat Washers, (2) 8mm Lock Washers and (2) 8mm Hex Nuts, **(Figure 16)**. Do not tighten hardware at this time.
- c. Repeat previous Steps to attach the passenger/right Bracket.
- d. Select the 30" light, (not included). Attach light to Top Brackets with the hardware included with the light. Adjust the width of the Brackets to the light and fully tighten bracket hardware.  
**IMPORTANT:** Top Light Brackets are designed to install 30" bar style LED lights with outside length dimensions of 31.653" (804mm) to 32.44" (824mm) only, **(Figure 17)**. Fully tighten top light hardware once adjusted.

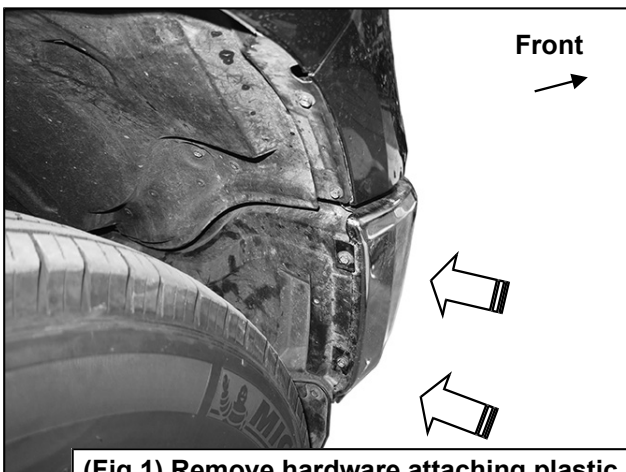
**Outer LED cube style light installation (light not included).**

**LD2 FRONT BUMPER  
2014-18 TOYOTA TUNDRA**

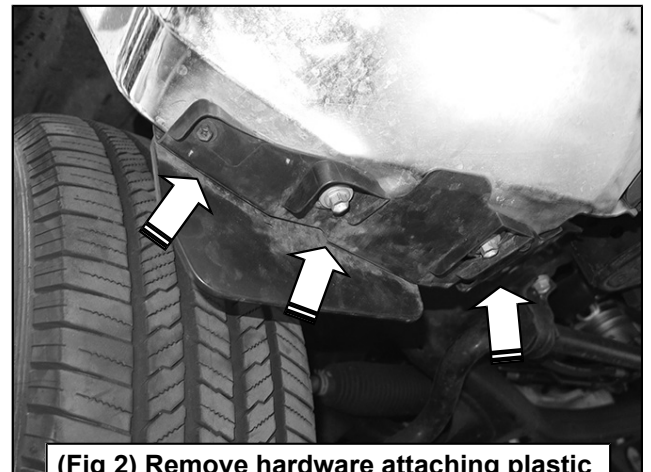
- a. Attach lights to mounting tabs on back of each end of the Bumper, **(Figure 16)**.
11. With assistance, position the Bumper Assembly up to the outside of the Frame Brackets. Temporarily support the weight of the Bumper. **WARNING:** To avoid possible injury or damage to the vehicle, do not proceed until the Bumper is fully and safely supported.
  12. Attach the Bumper to the outside of the Frame Brackets with the included (6) 10mm Hex Bolts, (12) 10mm Flat Washers, (6) 10mm Lock Washers and (6) 10mm Hex Nuts, **(Figures 18 & 19)**. Do not fully tighten hardware at this time.
  13. If front license plate is required, attach the License Plate Bracket to the holes in the bumper with the included (2) 6mm x 20mm Button Head Screws, (4) 6mm Flat Washers and (2) 6mm Nylon Lock Nuts, **(Figure 20)**. Insert (2) Plastic Plugs into the square holes in the Bracket. Reuse the factory screws to attach the license plate to the plastic plugs.
  14. Level and adjust the bumper and fully tighten all hardware.
  15. Reinstall the plastic grille and top cover if previously removed, **(Figure 7)**.
  16. Do periodic inspections to the installation to make sure that all hardware is secure and tight.

**To protect your investment**, wax this product after installing. Regular waxing is recommended to add a protective layer over the finish. Do not use any type of polish or wax that may contain abrasives that could damage the finish. Mild soap may be used to clean the Front Bumper assembly.

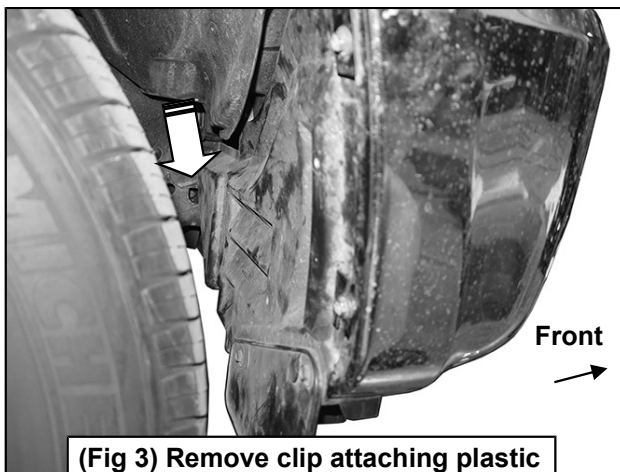
**Passenger/right Side Installation Pictured**



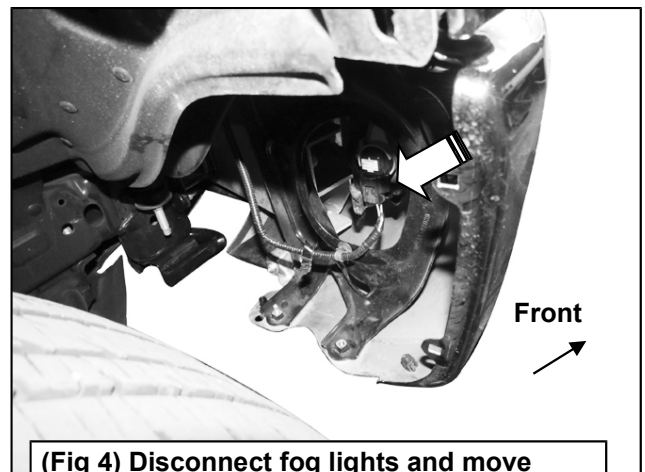
**(Fig 1) Remove hardware attaching plastic cover to back of bumper (arrows)**



**(Fig 2) Remove hardware attaching plastic cover to bottom of bumper (arrows)**

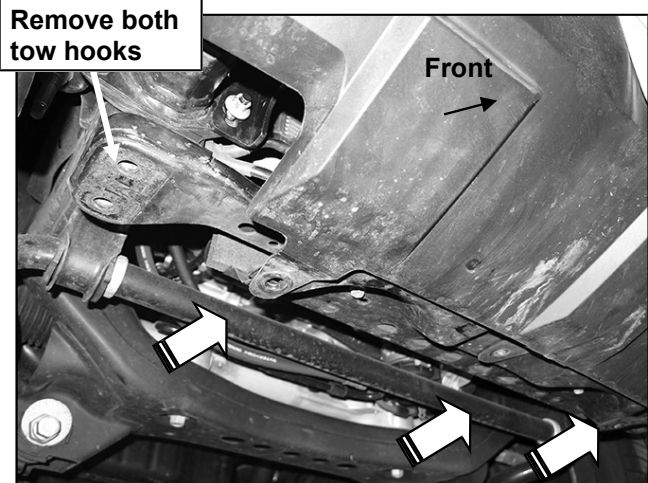


**(Fig 3) Remove clip attaching plastic cover to side of frame (arrow)**

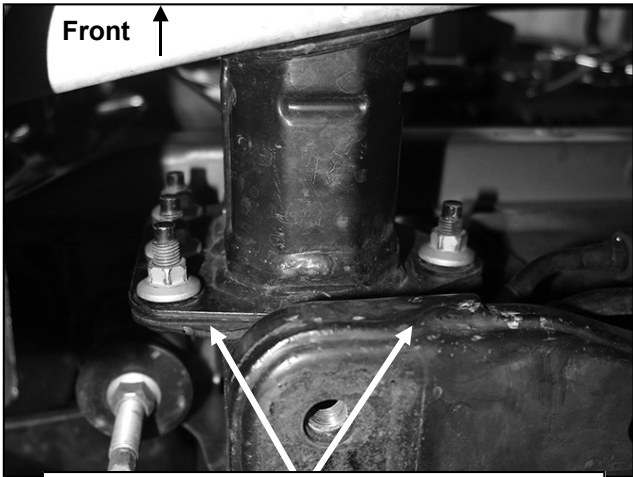


**(Fig 4) Disconnect fog lights and move wiring harness away from bumper (arrow)**

Passenger/right Side Installation Pictured



(Fig 5) Remove hardware attaching plastic cover on bottom of bumper to cross member (arrows)



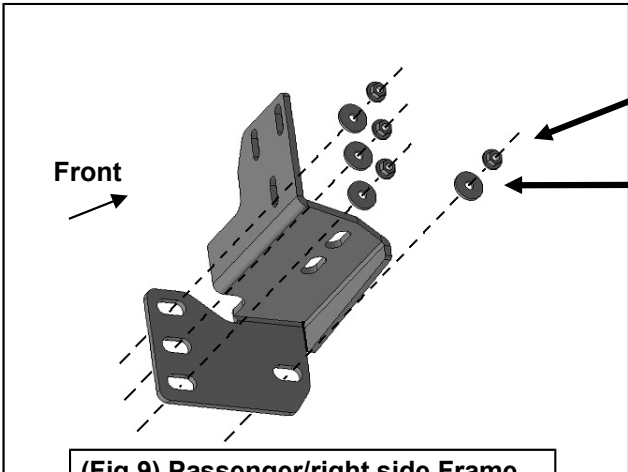
(Fig 6) Remove hex nuts attaching bumper brackets to end of frame. Passenger side bumper bracket pictured from below



(Fig 7) Remove plastic cover and grille for access to bumper bracket hardware



(Fig 8) Passenger/right side frame mounting location (bumper & grille removed)



(Fig 9) Passenger/right side Frame Bracket attached to frame

Reuse the (4) factory flange nuts

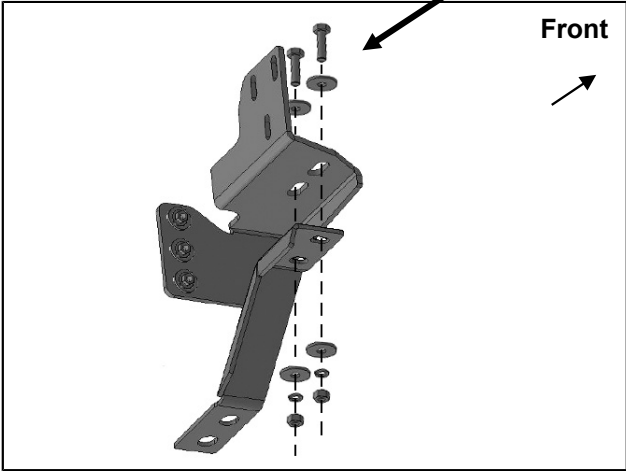
(4) 10mm x 34mm Large Flat Washers

**WARNING!** Do not remove bumper bolts unless the bumper is properly supported on blocks or stands or the bumper may fall.

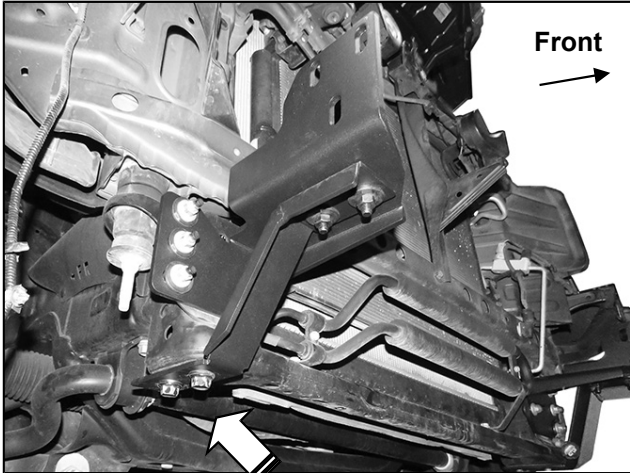
Passenger/right Side Installation Pictured



- (2) 10mm Hex Bolts
- (4) 10mm Flat Washers
- (2) 10mm Lock Washers
- (2) 10mm Hex Nuts

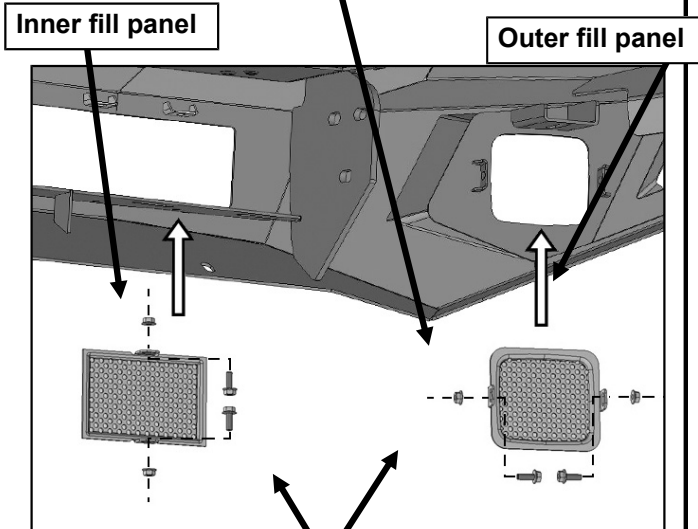


(Fig 11) Attach passenger/right Support Bracket to bottom of Frame Bracket



(Fig 12) Reuse tow hook bolts to attach Support Bracket and tow hook to bottom of frame (pictured without tow hook (optional))

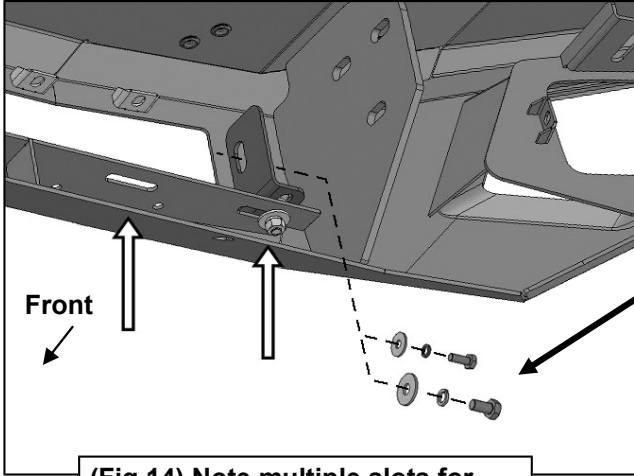
- 6mm Button Head Combo Bolts
- 6mm Flange Hex Nuts



(Fig 13) Attach Mesh Fill Panels as desired to fill unused openings for lights (lights not included)

**WARNING!** Do not crawl under bumper unless the bumper is properly supported on blocks or stands or the bumper may fall.

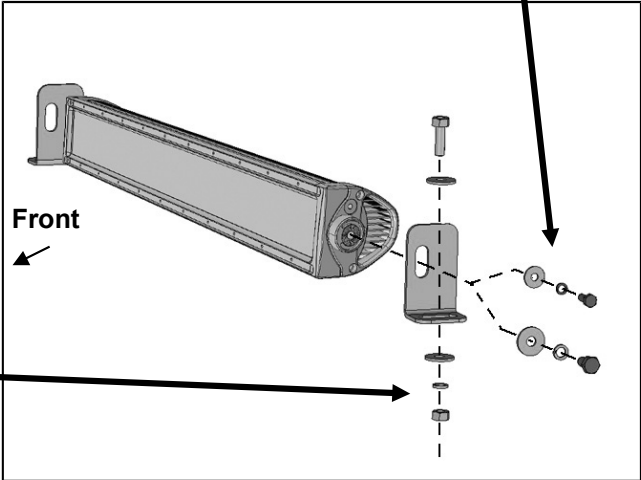
Passenger/right Side Installation Pictured



(Fig 14) Note multiple slots for different widths of lights (arrows)

- 6mm x 16mm Hex Bolt
- 6mm Lock Washer
- 6mm Flat Washer
- Or
- 8mm x 16mm Hex Bolt
- 8mm Lock Washer
- 8mm Flat Washer

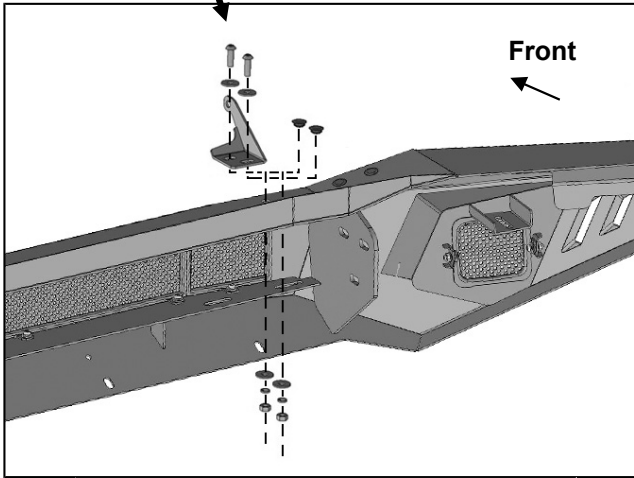
- (2) 8mm x 25mm Button Head Bolts
- (4) 8mm Flat Washers
- (2) 8mm Lock Washers
- (2) 8mm Hex Nuts



(Fig 15) Bracket illustration is a suggestion only. Brackets are offset to allow adjustment for all widths of lights

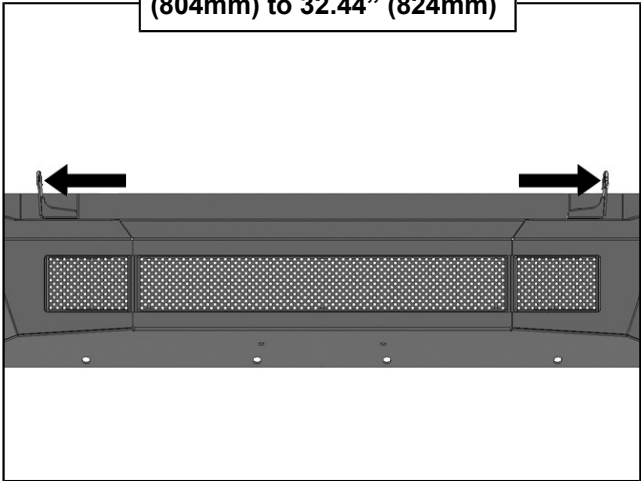
- (2) 8mm x 25mm Button Head Bolts
- (4) 8mm Flat Washers
- (2) 8mm Lock Washers
- (2) 8mm Hex Nuts

- 8mm x 25mm Hex Bolt
- (2) 8mm Flat Washers
- 8mm Lock Washer
- 8mm Hex Nut



(Fig 16) Remove rubber plugs to attach Top Light Bracket to Bumper

Top Light bracket mounting location is designed for light assembly 31.65" (804mm) to 32.44" (824mm)

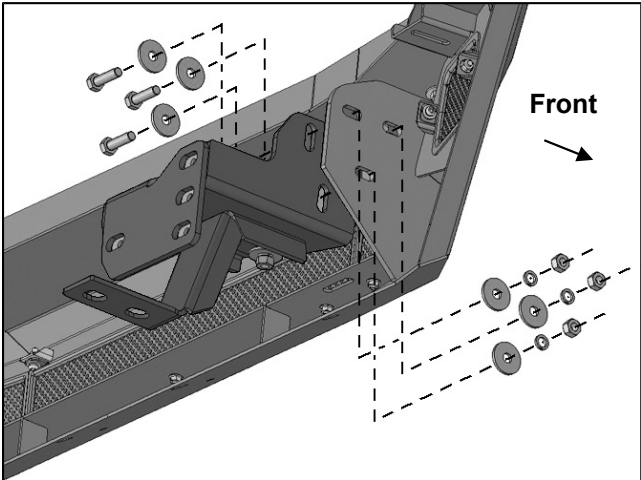


(Fig 17) Measure width of LED light (light only) before installation of Top Light Brackets

**WARNING!** Do not crawl under bumper unless the bumper is properly supported on blocks or stands or the bumper may fall.

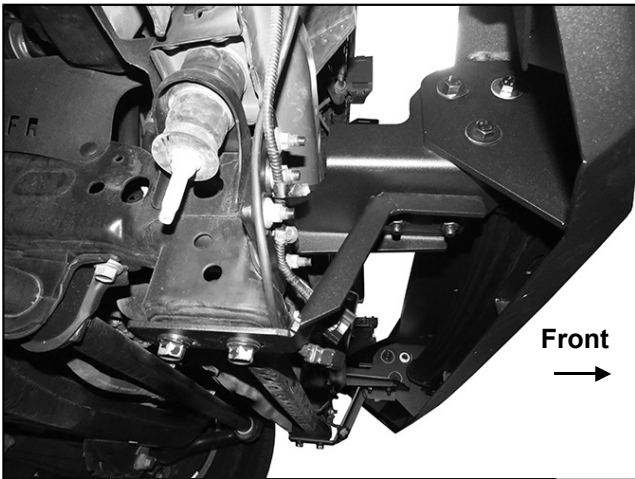
Passenger/right Side Installation Pictured

**WARNING!** Do not crawl under bumper unless the bumper is properly supported on blocks or stands or the bumper may fall.

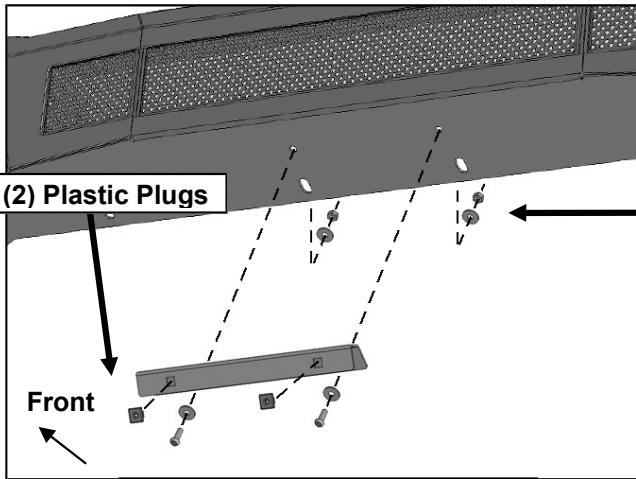


(Fig 18) Attach Bumper to outside of Passenger/right side Frame Bracket

- (3) 10mm x 35mm Hex Bolts
- (6) 10mm Flat Washers
- (3) 10mm Lock Washers
- (3) 10mm Hex Nuts



(Fig 19) Front Bumper attached to Passenger side Frame Bracket



- (2) Plastic Plugs

- (2) 6mm x 20mm Button Head Screws
- (4) 6mm Flat Washers
- (2) 6mm Nylon Lock Nuts

(Fig 20) Attach License Plate Bracket to Front Bumper



Complete Installation