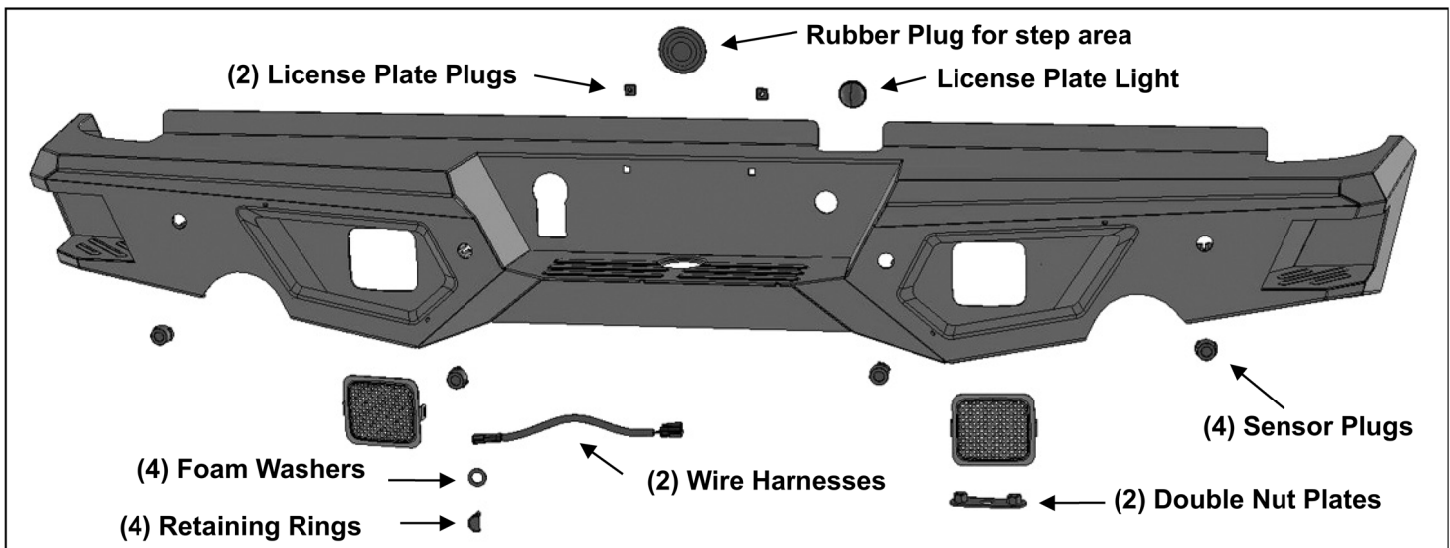




PARTS LIST:

X3B-DRAM63-RB

1	LD2 Rear Bumper Assembly	2	12mm Double Nut Plates
1	Push in License Plate Light	4	12-1.75mm x 40mm Hex Bolts
2	Plastic Plugs for license plate mount	4	12mm x 37mm x 3mm Flat Washers
2	Mesh Plates	4	12mm Lock Washers
1	Hole Plug for Step Area	4	6mm x 20mm Button Head Combo Bolts
4	Sensor Hole Plugs	4	6mm Flange Hex Nuts
4	Sensor Retaining Rings	8	4mm x 10mm Button Head Bolts
4	15.5mm x 25mm x 2mm Foam Washers	1	4mm Wrench
2	Dodge Wiring Harnesses	1	2.5mm Wrench
1	Sensor Cover Kit	10	Nylon Cable Ties 200mm



PROCEDURE:

REMOVE CONTENTS FROM BOX. VERIFY ALL PARTS ARE PRESENT. READ INSTRUCTIONS CAREFULLY BEFORE STARTING INSTALLATION. BUMPER IS HEAVY, ASSISTANCE IS HIGHLY RECOMMENDED TO AVOID POSSIBLE INJURY OR DAMAGE TO THE VEHICLE. ON MODELS WITH DUAL EXHAUST, ALLOW EXHAUST TO COMPLETELY COOL BEFORE STARTING INSTALLATION.

1. Start installation by unplugging all wiring harnesses leading to the bumper, **(Figures 1 & 2)**. Move the wiring harnesses away from the bumper. Remove the license plate.
2. Place blocks or jack stands under the bumper to support it during bumper bolt removal. Once the bumper has been safely supported, remove the (2) hex bolts behind the license plate, **(Figure 3)**. Next, remove the (4) factory bumper bolts, (2 per side), and slide the rear bumper off of the end of the frame, **(Figures 4 & 5)**. **WARNING!** Assistance is required to hold the bumper in place during hardware removal and to prevent the bumper from falling. Move the bumper to a clean stable work surface.
3. Remove the wiring harness and outer tow harness plug from the factory bumper, **(Figure 6)**. Snap the plug into the opening in the LD2 Bumper, **(Figure 7)**. If necessary, use a flat blade screwdriver to carefully pry the lock tab on the clip out to help lock plug in place.
4. Insert the (2) push-in plugs to attach the license plate to the Bumper, **(Figure 8)**. Insert the included License Plate Light into the mounting hole, **(Figure 8)**. Use the included Wire Ties to attach the factory wiring harness to the bumper and away from exhaust.
5. Determine if the vehicle is equipped with sensors.

Models without bumper sensors:

- a. Select the included (4) Rubber Plugs.

- b. From behind bumper, push plugs into sensor mounting holes, **(Figure 9)**. Screws have been provided to lock the plugs in the sleeve. Use is optional.

Models with bumper mounted sensors:

- a. Remove sensors from factory bumper, **(Figure 10)**.
- b. Remove the outer plastic sleeve from the sensor, **(Figure 11)**. Next, remove the silicone seal from the end of the sensor. Slide the included larger Sensor Seal over front of sensor, **(Figure 12)**.
- c. Insert sensor with Seal into sensor mount, **(Figure 12)**.
- d. Push Sensor Retaining Clip into sensor mount and lock into mounting holes, **(Figure 12)**.
- e. Repeat previous Steps to install remaining sensors.
- f. Attach factory wiring harness to sensors. **NOTE:** Use the included (2) Wiring Harness Extensions as necessary to reach the sensors.
- g. **Optional:** Secure each sensor to the socket with (2) 4mm x 10mm Button Head Screws, **(Figure 9)**. **IMPORTANT:** Sensors fit snug in sockets. The 4mm Screws are used to apply slight pressure to lock the sensors in place. Tighten both screws evenly until they touch the sensor body only. Do not overtighten screws or damage to sensors will result.

6. Determine if accessory lights, (not included), or Mesh Fill Panels will be installed at this time.

Mesh Fill Panel Installation (do not install fill panels if installing lights).

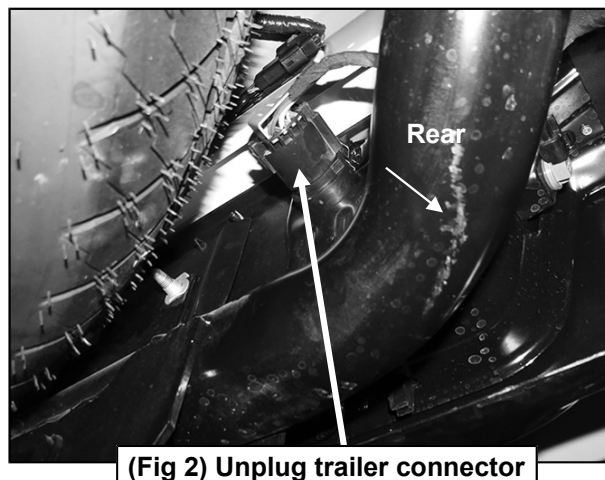
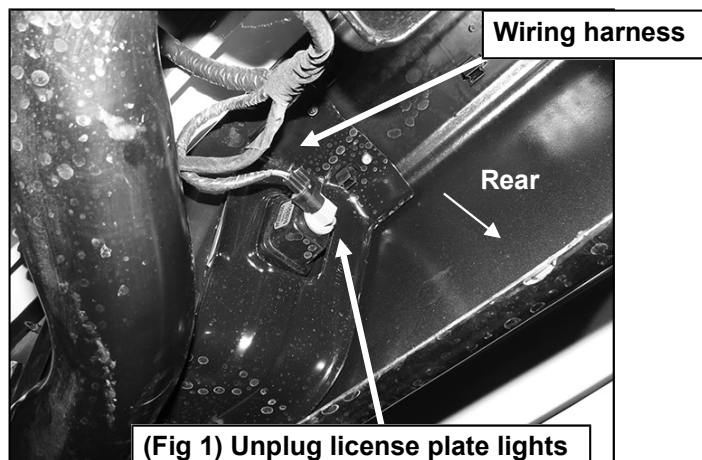
- a. Select the Fill Panels.
- b. Attach Panels with the included 6mm Combo Bolts and 6mm Flange Nuts, **(Figure 13)**. Fully tighten Fill Panel hardware at this time.

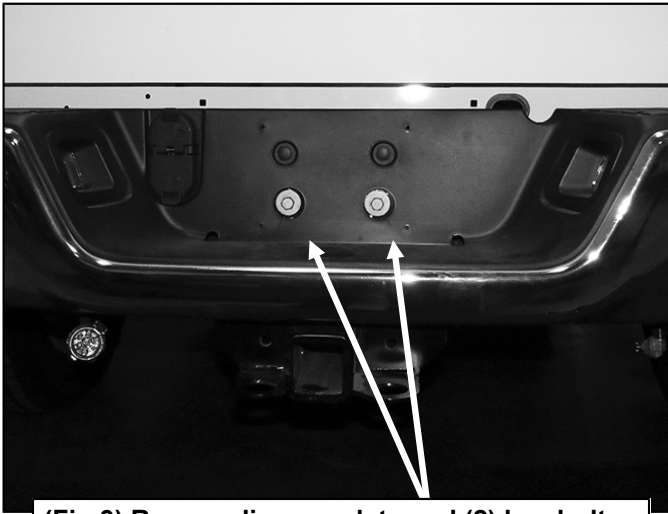
LED cube style light installation (light not included).

- a. Attach lights to mounting tabs on back of each end of the Bumper, **(Figure 13)**.

7. With assistance, position the Bumper up to the bumper brackets on the ends of the frame. Temporarily support the weight of the Bumper Assembly. **WARNING:** To avoid possible injury or damage to the vehicle, do not proceed until the Bumper is fully and safely supported.
8. Line up the (2) mounting holes in the back of the driver side of the bumper with the brackets on the end of the frame. Slide (2) 12mm Double Nut Plates behind the mounting plates on the Bumper, **(Figure 14)**. Attach the Bumper to the frame and Nut Plates with (4) 12mm Hex Bolts, (4) 12mm Lock Washers and (4) 12mm Flat Washers, **(Figures 14 & 15)**. Leave hardware loose at this time.
9. Slowly open the tail gate and check for clearance. Level and adjust Bumper and tighten all hardware.
10. Connect the license plate light to the harness. Reattach the Bumper wiring harness to the main harness. Seal off any open wire connections.
11. Do periodic inspections to the installation to make sure that all hardware is secure and tight.

To protect your investment, wax this product after installing. Regular waxing is recommended to add a protective layer over the finish. Do not use any type of polish or wax that may contain abrasives that could damage the finish. Mild soap may be used to clean the LD1 Bumper assembly.

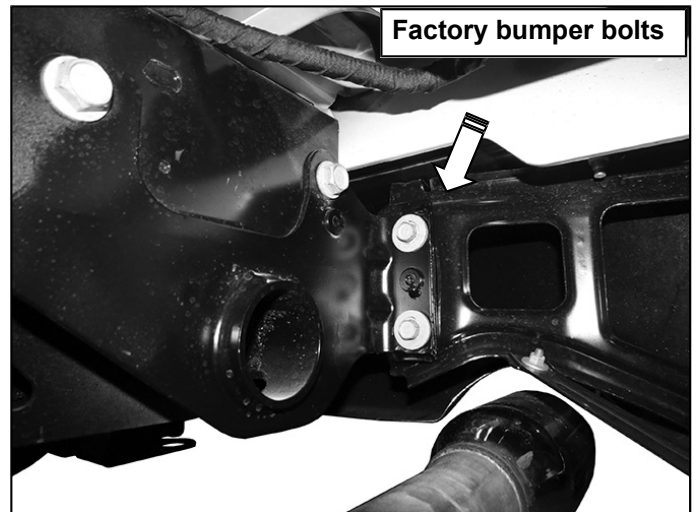




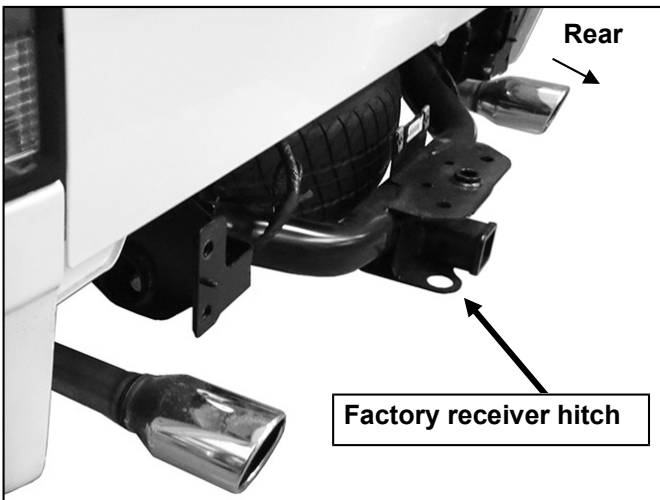
(Fig 3) Remove license plate and (2) hex bolts

WARNING! Do not remove bumper bolts unless the bumper is properly supported on blocks or stands or the bumper may fall.

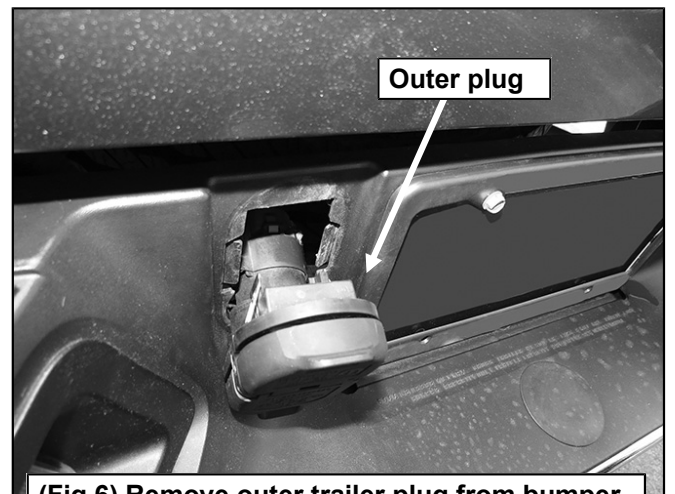
Models with dual exhaust, allow exhaust to completely cool before starting installation



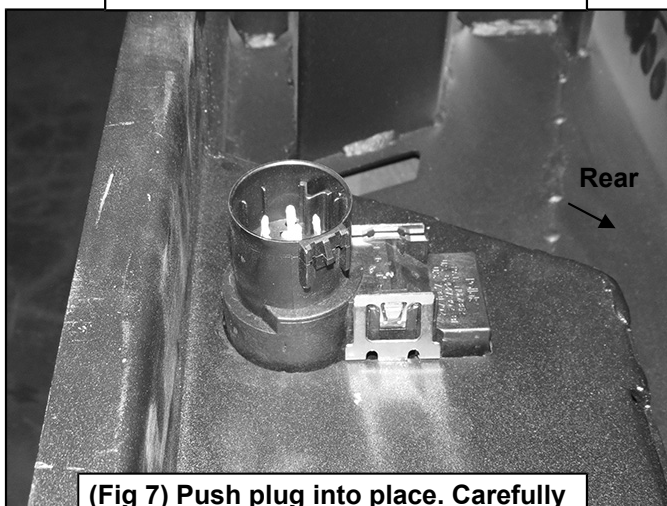
(Fig 4) Example of factory bumper bracket with (2) hex bolts pictured from behind bumper



(Fig 5) Bumper completely removed

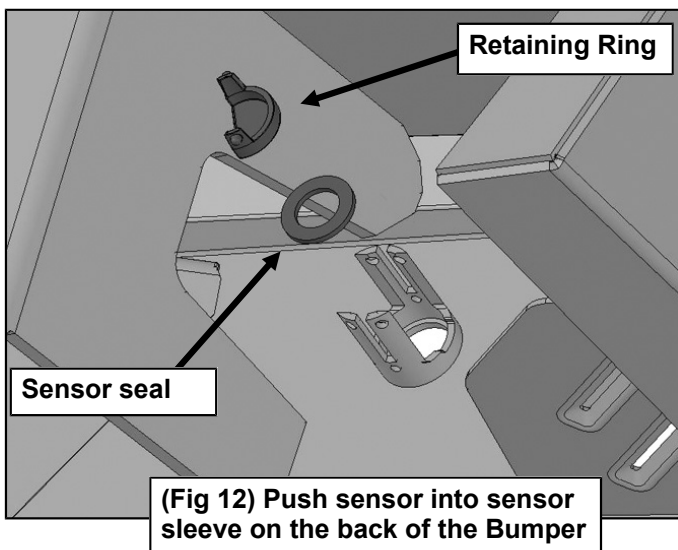
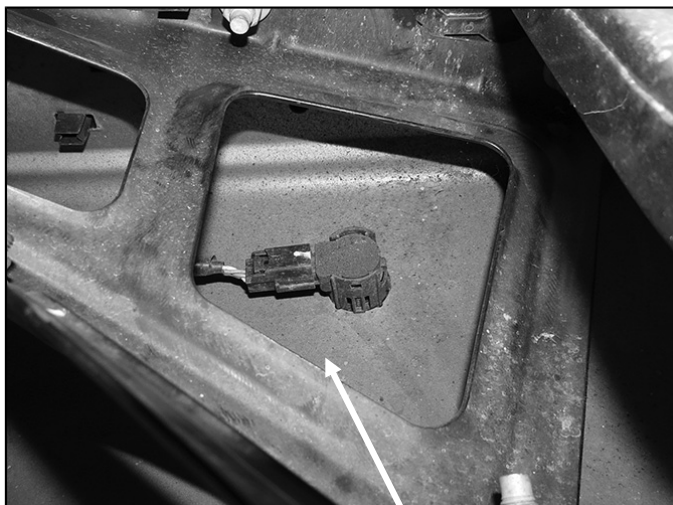
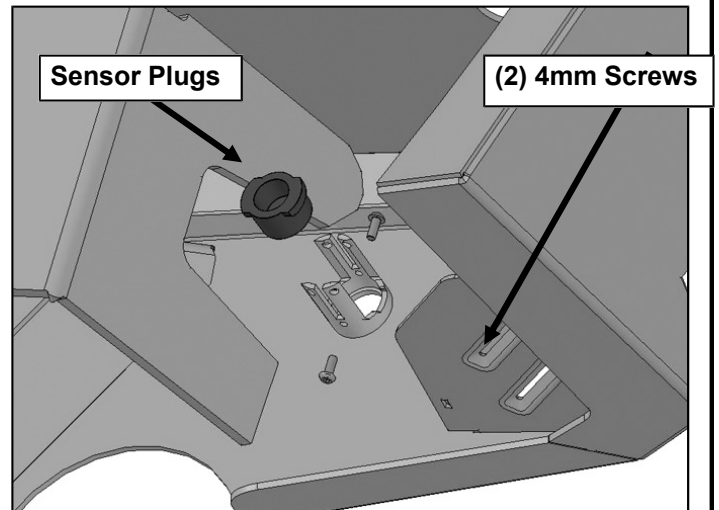
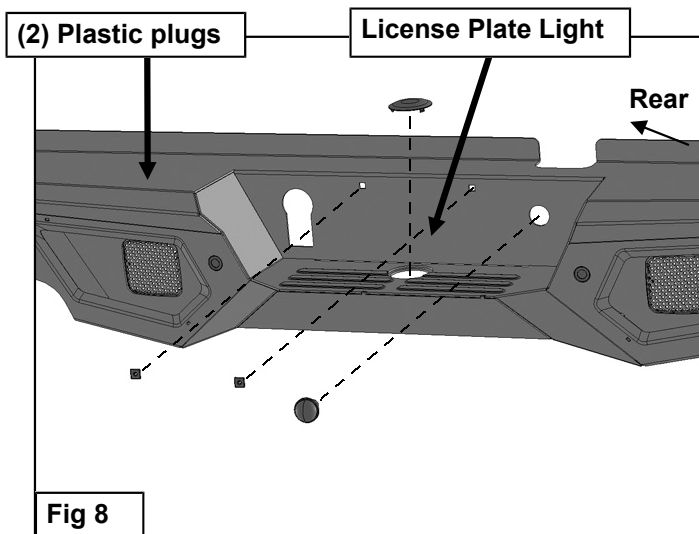


(Fig 6) Remove outer trailer plug from bumper

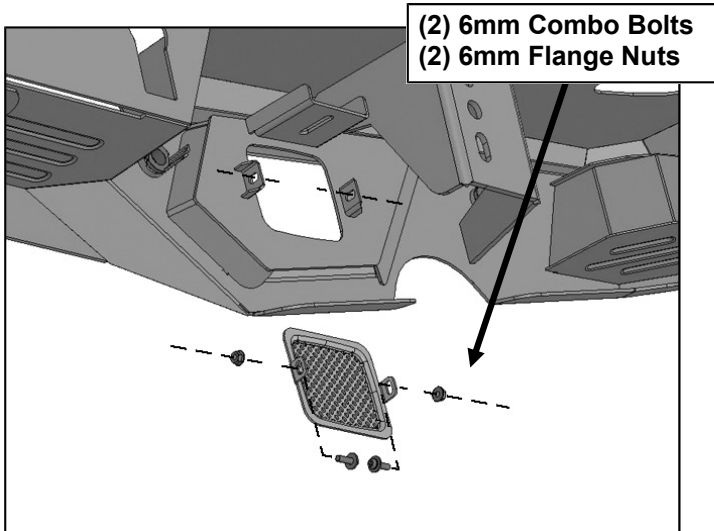


(Fig 7) Push plug into place. Carefully bend locking tab outward if necessary

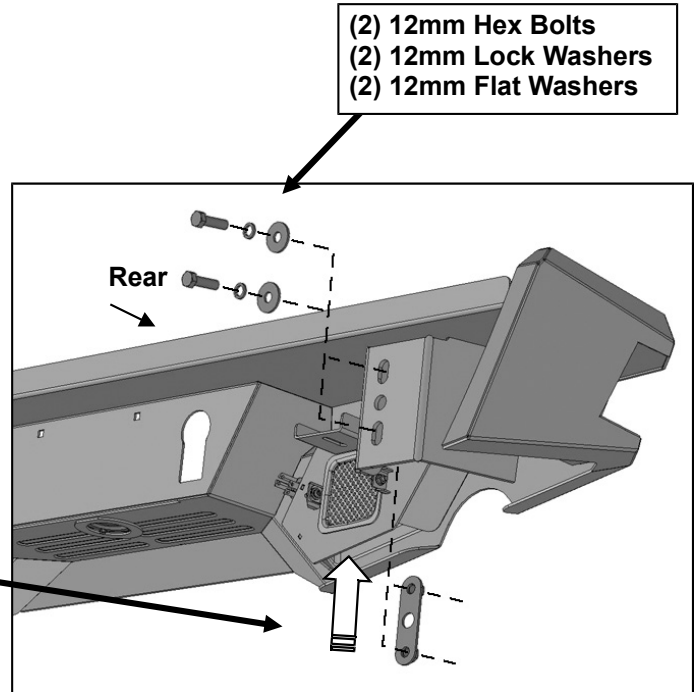
WARNING! Do not crawl under bumper unless the bumper is properly supported on blocks or stands or the bumper may fall.



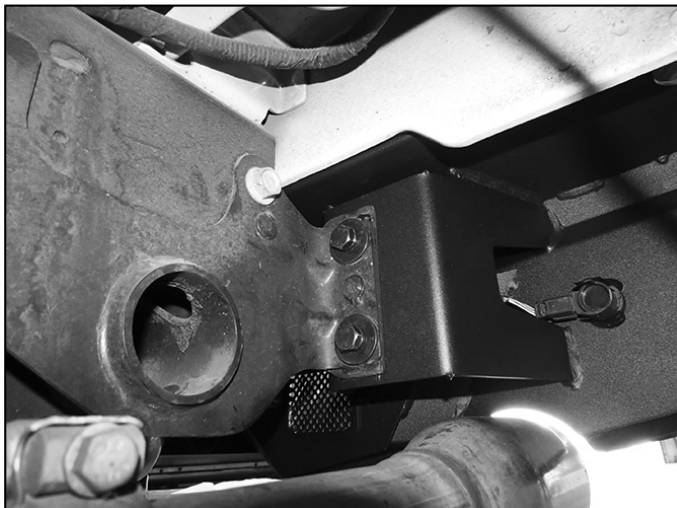
**LD2 REAR BUMPER
2009-18 RAM 1500**



(Fig 13) Attach LED light (not included) to tab or install Fill Panel before installing Bumper



(Fig 14) Driver/left side illustrated



(Fig 15) Driver/left side pictured from behind bumper

WARNING! Do not crawl under bumper unless the bumper is properly supported on blocks or stands or the bumper may fall.

