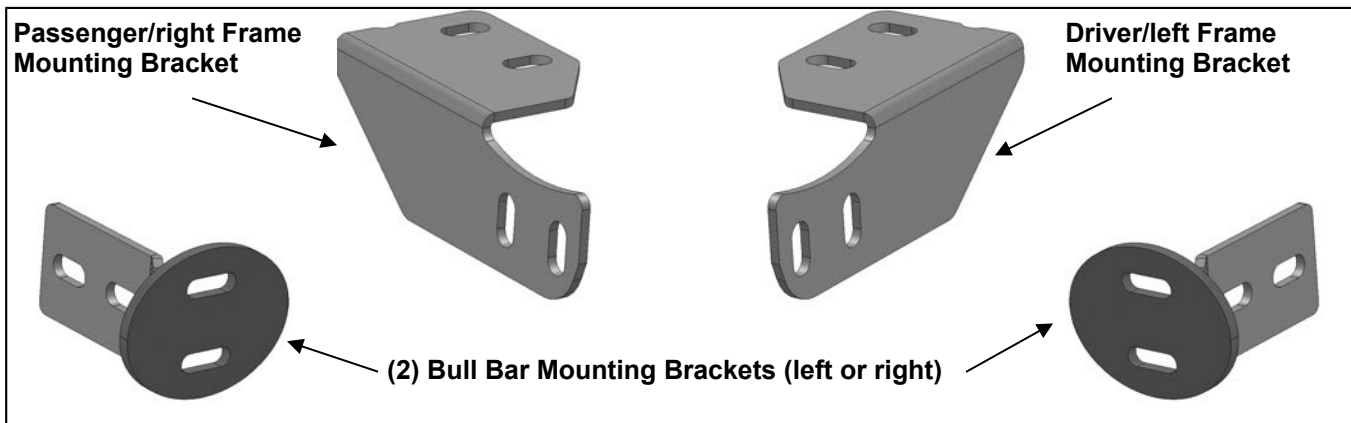




**PARTS LIST:**

1	Bull Bar	8	12mm x 32mm OD x 3mm Flat Washers
1	Driver Side Frame Mounting Bracket	4	12-1.75mm Nylon Lock Nuts
1	Passenger Side Frame Mounting Bracket	4	8-1.25mm x 35mm Hex Bolts
2	Bull Bar Mounting Brackets (left or right)	6	8mm x 24mm OD x 2mm Flat Washers
4	12-1.75mm x 30mm Hex Bolts	6	8mm Lock Washers
2	8-1.25mm x 16mm Hex Bolt		



**PROCEDURE:**

**REMOVE CONTENTS FROM BOX. VERIFY ALL PARTS ARE PRESENT. READ INSTRUCTIONS CAREFULLY BEFORE STARTING INSTALLATION. INSTALLATION MAY INTERFERE WITH FRONT MOUNTED SENSORS. NOT RECOMMENDED FOR VEHICLES WITH OPTIONAL "ACTIVE" LASER GUIDED CRUISE CONTROL SYSTEMS. NOTE:** It may be necessary to remove/relocate the front license plate and license plate bracket. It is not required for installation but strongly recommended. If local/state law requires a license plate, license plate relocation kit is available.

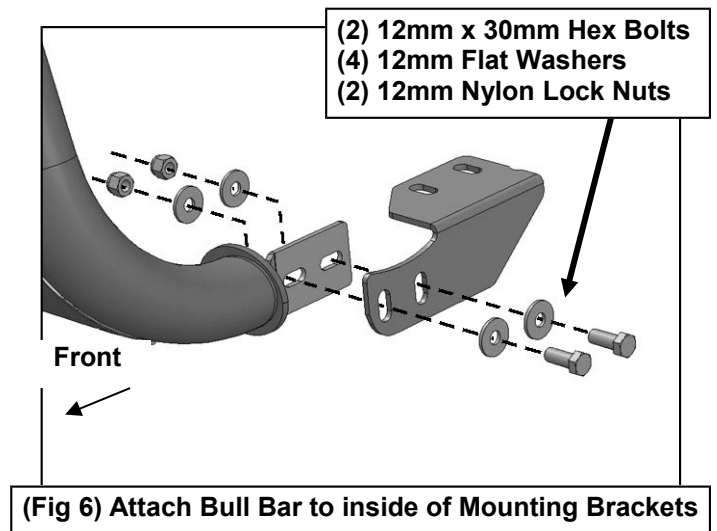
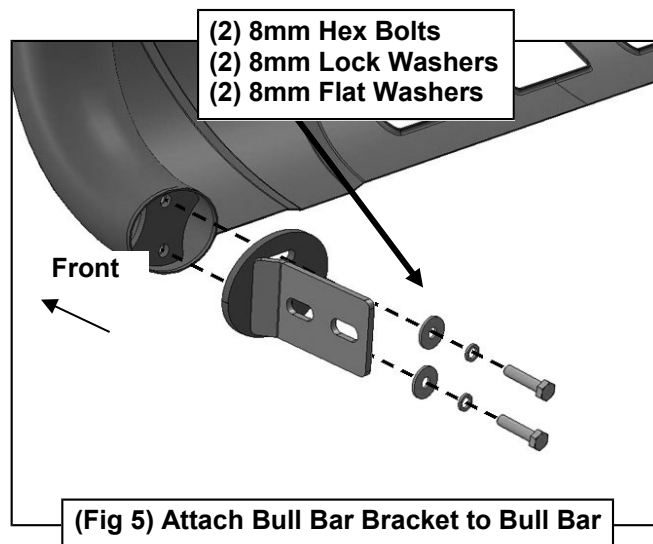
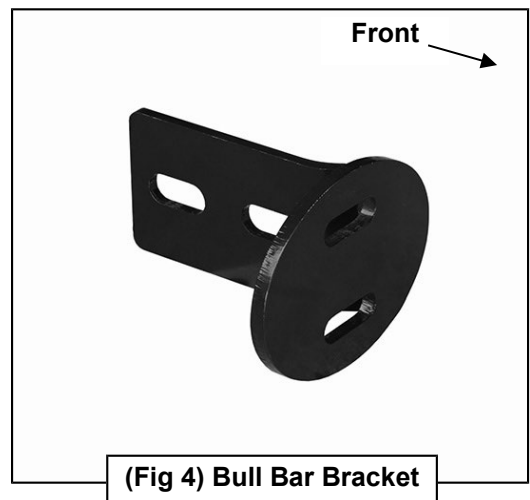
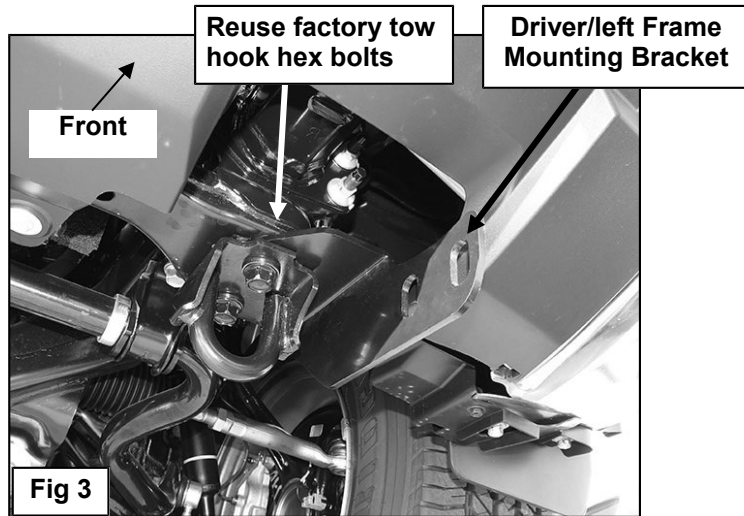
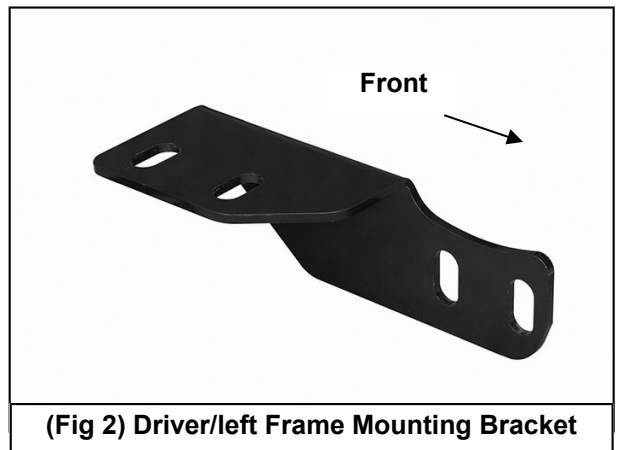
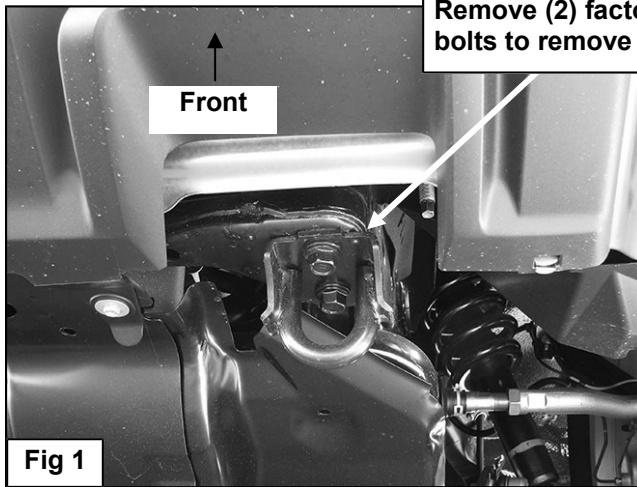
1. Start installation at the driver side, front of the vehicle. Remove the driver side tow hook, **(Figure 1)**.
2. Select the driver side Frame Bracket, **(Figure 2)**. Check the fit between the tow hook and the Bracket for possible reinstallation over the Bracket. **NOTE:** Some factory tow hooks may not clear the Bracket and cannot be reinstalled. Check for fit before attaching tow hook and Bracket to vehicle. Reuse the factory tow hook bolts to attach the Bracket to the threaded holes in the bottom of the frame, **(Figure 3)**. Do not fully tighten hardware at this time.
3. Repeat **Steps 1 & 2** for passenger side Frame Bracket installation.
4. Carefully unwrap the Bull Bar. Select (1) Bull Bar Mounting Bracket, **(Figure 4)**. Attach the Bracket to the end of the Bull Bar with (2) 8mm Hex Bolts, (2) 8mm Lock Washers and (2) 8mm Flat Washers, **(Figure 5)**. Leave hardware loose at this time.
5. Repeat **Step 4** to install the passenger side Bull Bar Bracket.
6. With assistance, line up the Mounting Brackets on the Bull Bar with the inside of the Frame Brackets. Attach the Bull Bar to the Frame Brackets with the included (4) 12mm x 30mm Hex Bolts, (8) 12mm Flat Washers and (4) 12mm Nylon Lock Nuts, **(Figure 6)**. Do not tighten hardware at this time.
7. Level and adjust the Bull Bar properly and tighten all hardware.
8. Do periodic inspections to the installation to make sure that all hardware is secure and tight.

**To protect your investment**, wax this product after installing. Regular waxing is recommended to add a protective layer over the finish. Do not use any type of polish or wax that may contain abrasives that could damage the finish.

**For stainless steel:** Aluminum polish may be used to polish small scratches and scuffs on the finish. Mild soap may be used also to clean the Bull Bar.

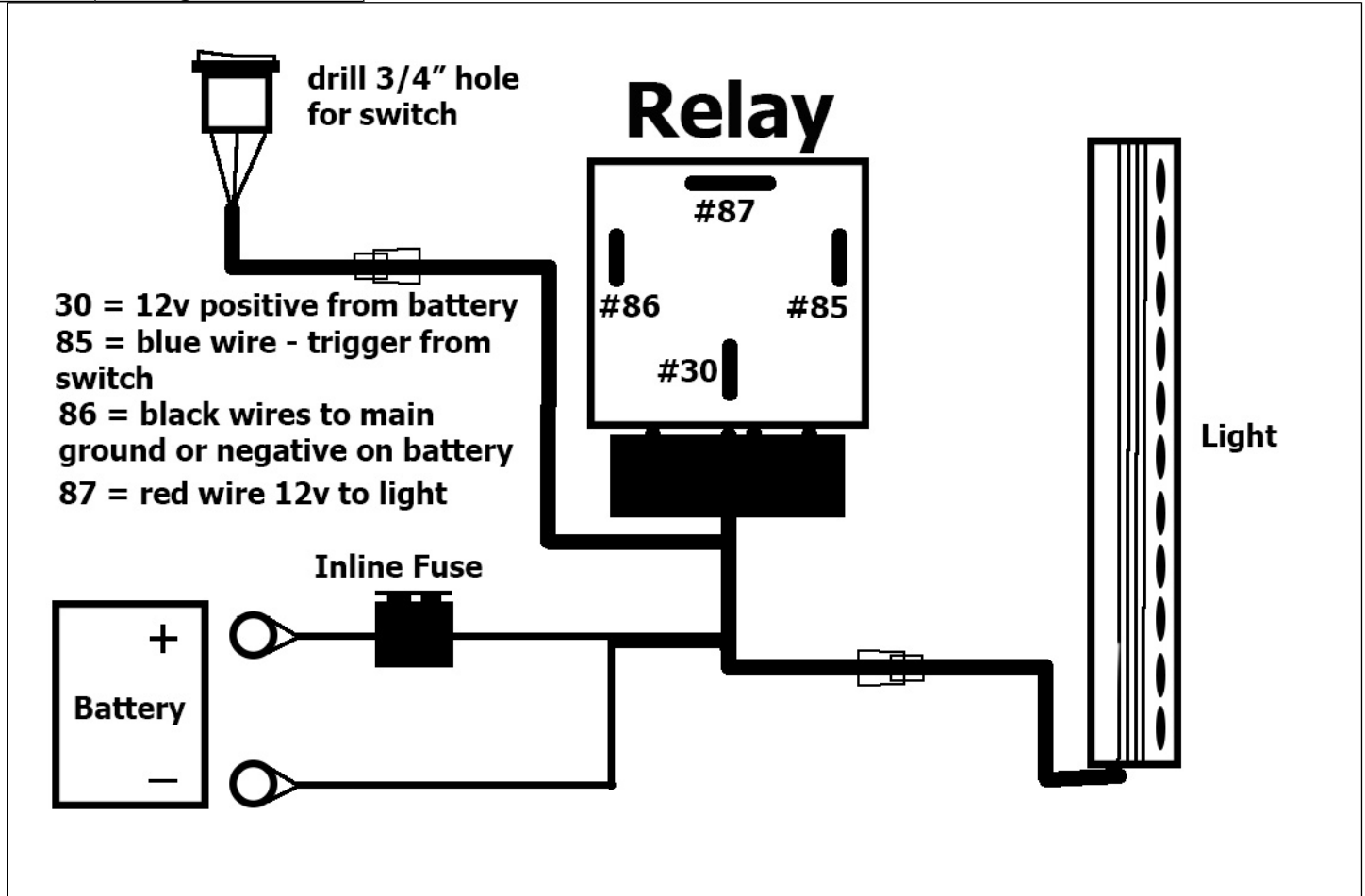
**For gloss black finishes:** Mild soap may be used to clean the Bull Bar.

**Driver Side Installation Pictured**



**PARTS LIST:**

Qty	Description
1	Light
1	Wiring Harness



**PROCEDURE:**

- 1. REMOVE CONTENTS FROM BOX. VERIFY ALL PARTS ARE PRESENT. READ INSTRUCTIONS CAREFULLY. DRILLING IS REQUIRED. ELECTRICAL KNOWLEDGE IS HIGHLY RECOMMENDED.**
2. Install Light into product as instructed. Open hood and disconnect battery.
3. Unwrap preassembled wiring harness. Disconnect the plug in the harness leading to the lighted switch. Locate suitable mounting location for switch. Drill 3/4" hole in panel to mount switch. **IMPORTANT:** Do not drill any holes in panel until back of location is properly checked for clearance. Use of safety goggles is required.
4. Run switch harness through firewall on vehicle. Drill hole through firewall as required for harness plug. Highly recommend use of rubber grommet (not included) to protect harness. Feed switch harness plug through hole in firewall. Seal firewall with silicone as necessary.
5. Attach Relay and main harness to suitable location near battery (firewall or inner fender for example). Do not connect to battery at this time.
6. Attach switch plug to switch harness and tie harness away from anything that could damage harness.
7. Run the prewired light harness down to the light. Plug harness into prewired plug on light. Tie wiring harness away from anything that could damage harness.
8. Attach the fused red positive and black negative wires on the main harness to the battery. **NOTE:** Attach black negative wire to negative terminal on battery or suitable chassis ground.
9. Reattach battery cables to battery. Installation is complete.
10. Do periodic inspections to the installation to make sure that all hardware is secure.