



PARTS LIST:

1	Bull Bar	4	12-1.75mm x 35mm Coarse Thread Hex Bolts
1	Driver/Left Frame Mounting Bracket	8	12mm Lock Washers
1	Passenger/Right Frame Mounting Bracket	4	12-1.75mm Hex Nuts
1	Driver/Left Tube Bracket	4	8-1.25mm x 35mm Hex Bolts
1	Passenger/Right Tube Bracket	6	8mm Lock Washers
12	12mm x 32mm OD x 3mm Flat Washers	6	8mm x 24mm x 2mm Flat Washers
4	12mm x 55mm Fine Thread Hex Bolts	2	8-1.25mm x 16mm Hex Bolt



PROCEDURE:

REMOVE CONTENTS FROM BOX. VERIFY ALL PARTS ARE PRESENT. READ INSTRUCTIONS CAREFULLY BEFORE STARTING INSTALLATION. ASSISTANCE IS RECOMMENDED.

It may be necessary to remove/relocate front license plate and license plate bracket. It is not required, but strongly recommended. If local/state law requires a license plate, license plate relocation kit is available.

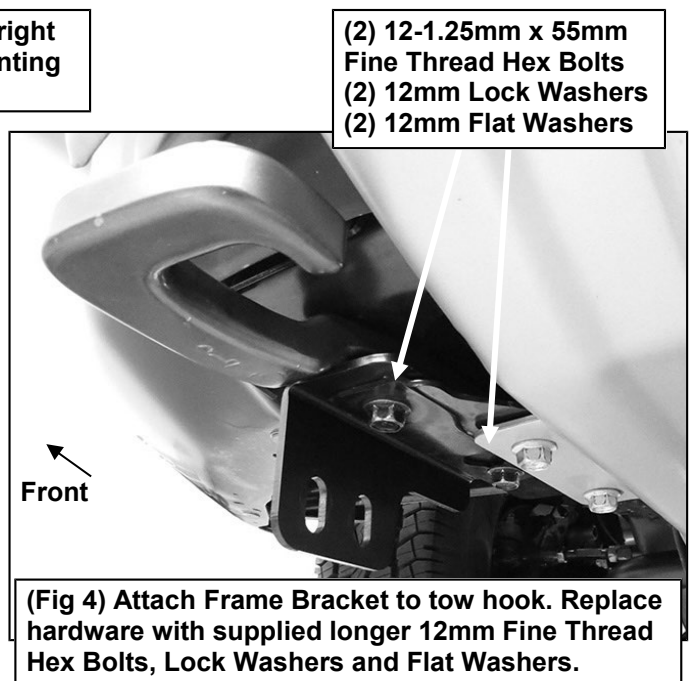
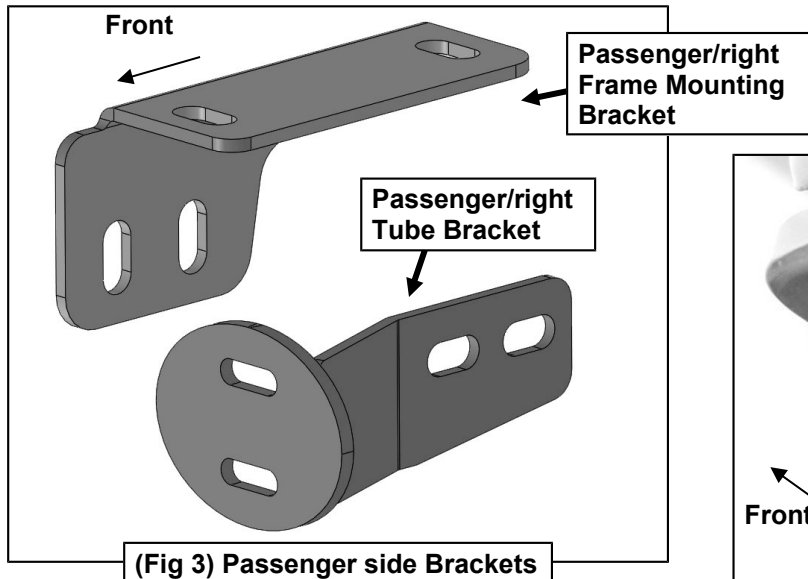
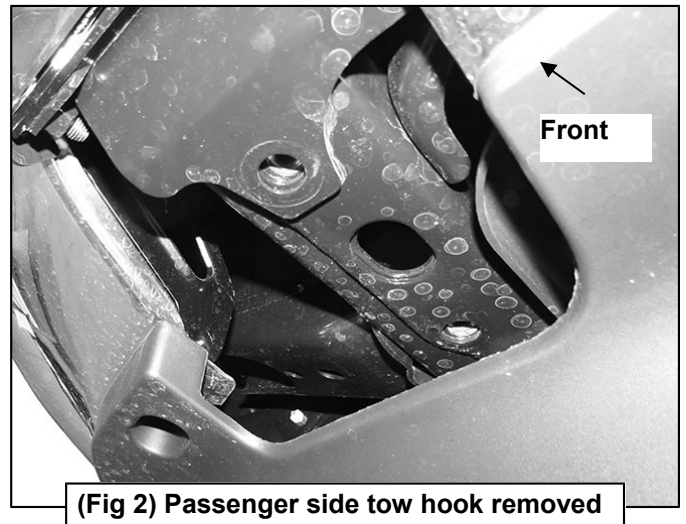
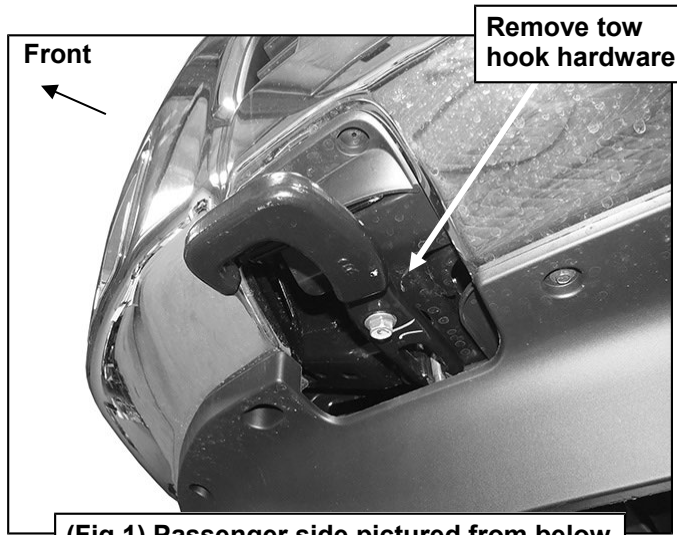
1. Start installation under the passenger side front of the vehicle, (**Figure 1**). Locate and remove the (2) hex bolts attaching the tow hook to the bottom of the frame, (if equipped). On models without tow hooks, mounting holes may be filled with hex bolts. Remove hex bolts, (**Figure 2**).
2. Select the passenger side Frame Mounting Bracket, (**Figure 3**). Hold the tow hook in place and line up the Bracket with the (2) mounting holes. Attach the Bracket to the tow hook and frame with the (2) included special 12-1.25mm x 55mm **Fine Thread** Hex Bolts, (2) 12mm Lock Washers and (2) 12mm Flat Washers, (**Figure 4**). **VERY IMPORTANT:** Use only the provided **12-1.25mm x 55mm Fine Thread Hex Bolts** to bolt the Brackets to the vehicle or damage to the frame may result. Models without tow hooks, attach the Bracket directly to the bottom of the frame, (**Figure 5**). Do not tighten.
3. Repeat **Steps 1—2** for driver side Frame Bracket installation.
4. Place Bull Bar on a clean, stable work surface. Select the passenger side Bull Bar Tube Bracket, (**Figure 3**). Bolt the Bracket to the end of Bull Bar with the included (2) 8mm Hex Bolts, (2) 8mm Lock Washers and (2) 8mm Flat Washers, (**Figure 6**). **NOTE:** Bracket should be close to center on the end of the Bull Bar tube. Snug but do not tighten hardware. Repeat this **Step** for driver side Tube Bracket.
5. With assistance, position the Bull Bar onto the inside of the Mounting Brackets. Attach the Bull Bar to the Mounting Brackets with (4) 12-1.75mm x 35mm **Coarse Thread** Hex Bolts, (8) 12mm Flat Washers, (4) 12mm Lock Washers and (4) 12mm Hex Nuts, (**Figures 7**). Do not tighten at this time.
6. Level and adjust the Bull Bar and fully tighten all hardware.
7. Do periodic inspections to the installation to make sure that all hardware is secure and tight.

To protect your investment, wax this product after installing. Regular waxing is recommended to add a protective layer over the finish. Do not use any type of polish or wax that may contain abrasives that could damage the finish.

For stainless steel: Aluminum polish may be used to polish small scratches and scuffs on the finish. Mild soap may be used also to clean the Bull Bar.

For gloss black finishes: Mild soap may be used to clean the Bull Bar.

Passenger/right Side Installation Pictured

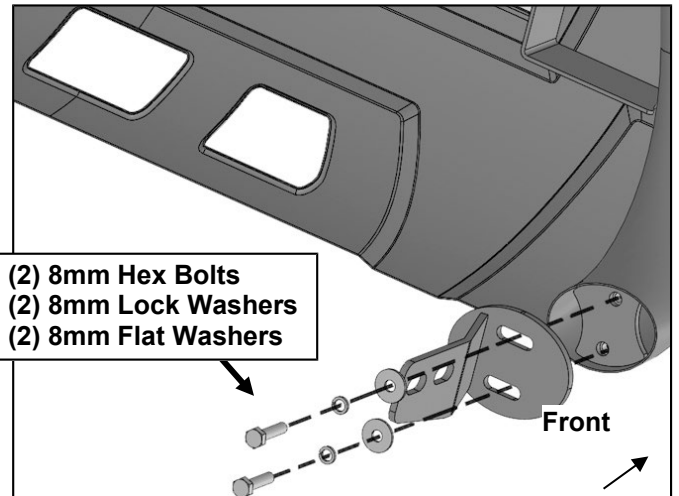


Passenger/right Side Installation Pictured

- Use factory hex bolts or
- (2) 12-1.25mm x 55mm
Fine Thread Hex Bolts
- (2) 12mm Lock Washers
- (2) 12mm Flat Washers

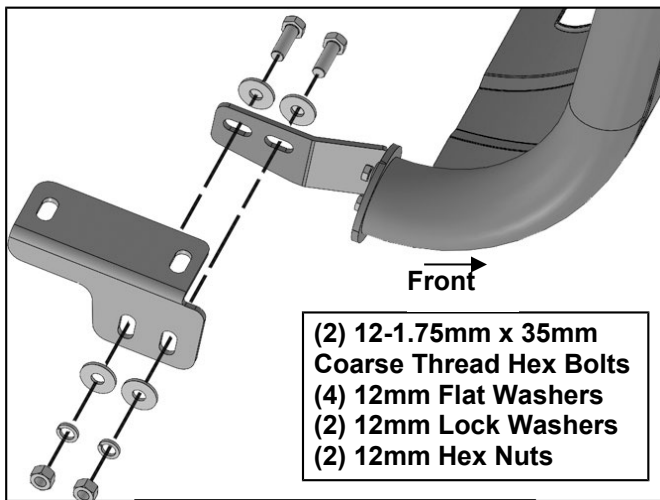


(Fig 5) Non-tow hook models, attach Frame Mounting Bracket directly to bottom of frame



- (2) 8mm Hex Bolts
- (2) 8mm Lock Washers
- (2) 8mm Flat Washers

(Fig 6) Passenger/right Tube Bracket to Bull Bar

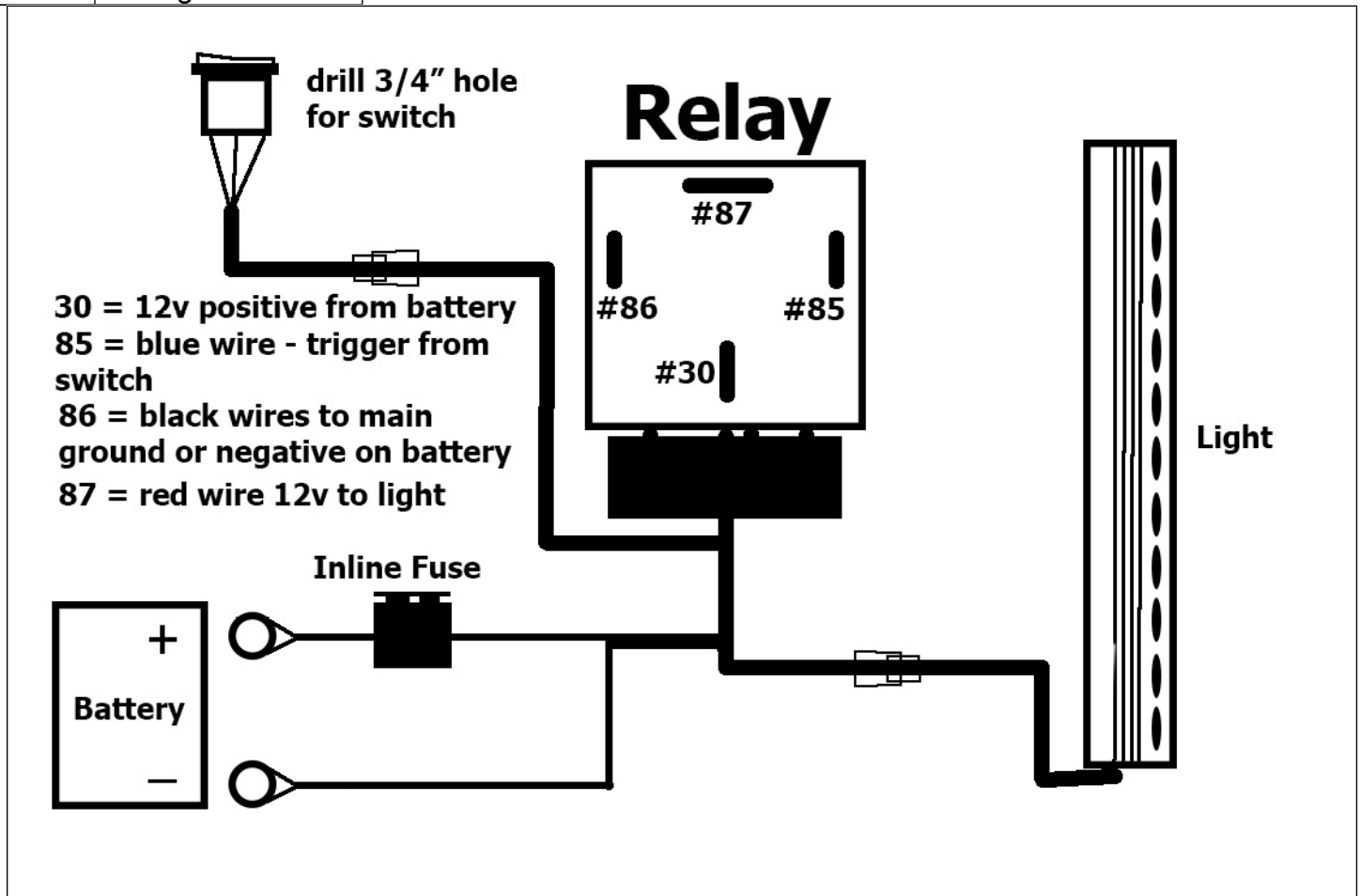


- (2) 12-1.75mm x 35mm
Coarse Thread Hex Bolts
- (4) 12mm Flat Washers
- (2) 12mm Lock Washers
- (2) 12mm Hex Nuts

(Fig 7) Passenger/right Frame Bracket to Bull Bar assembly

PARTS LIST:

Qty	Description
1	Light
1	Wiring Harness



PROCEDURE:

1. REMOVE CONTENTS FROM BOX. VERIFY ALL PARTS ARE PRESENT. READ INSTRUCTIONS CAREFULLY. DRILLING IS REQUIRED. ELECTRICAL KNOWLEDGE IS HIGHLY RECOMMENDED.
2. Install Light into product as instructed. Open hood and disconnect battery.
3. Unwrap preassembled wiring harness. Disconnect the plug in the harness leading to the lighted switch. Locate suitable mounting location for switch. Drill 3/4" hole in panel to mount switch. **IMPORTANT:** Do not drill any holes in panel until back of location is properly checked for clearance. Use of safety goggles is required.
4. Run switch harness through firewall on vehicle. Drill hole through firewall as required for harness plug. Highly recommend use of rubber grommet (not included) to protect harness. Feed switch harness plug through hole in firewall. Seal firewall with silicone as necessary.
5. Attach Relay and main harness to suitable location near battery (firewall or inner fender for example). Do not connect to battery at this time.
6. Attach switch plug to switch harness and tie harness away from anything that could damage harness.
7. Run the prewired light harness down to the light. Plug harness into prewired plug on light. Tie wiring harness away from anything that could damage harness.
8. Attach the fused red positive and black negative wires on the main harness to the battery. **NOTE:** Attach black negative wire to negative terminal on battery or suitable chassis ground.
9. Reattach battery cables to battery. Installation is complete.
10. Do periodic inspections to the installation to make sure that all hardware is secure