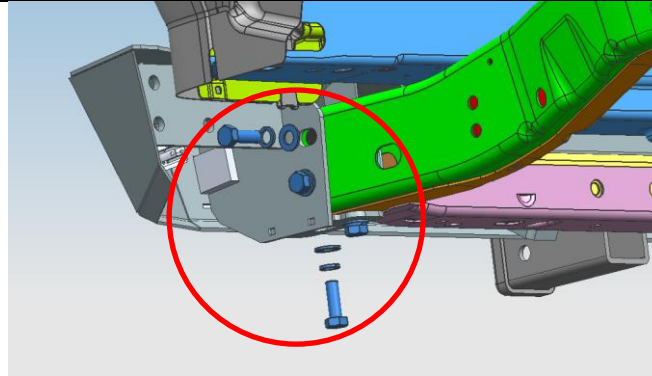


Rear Bumper Install Guide

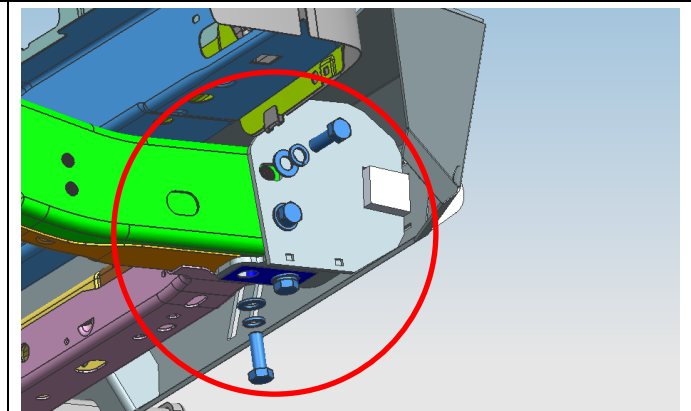
Contents:

- | | |
|--------------------------|----------------------|
| Rear Bumper x 1 | M6 Allen Bolts x 2 |
| D-rings x 2 | M6 Flange Nuts x 2 |
| Nut Plate x 1 | M6 Flat Washers x 2 |
| Sensor Plugs x 4 | M4 Allen Bolts x 8 |
| Rubber Spacers x 4 | M14 Lock Washers x 8 |
| Black Adhesive Tape x 4 | M14 Flat Washers x 8 |
| Circle Adhesive Tape x 4 | M14 Bolts x 8 |
| Block Plate x 1 | |



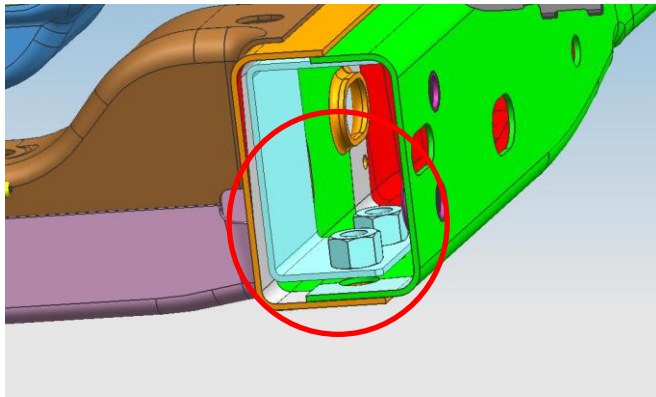
// Step 2:

Insert the M14 Bolts, Lock washers and flat washers to the frame and secure the hardware.



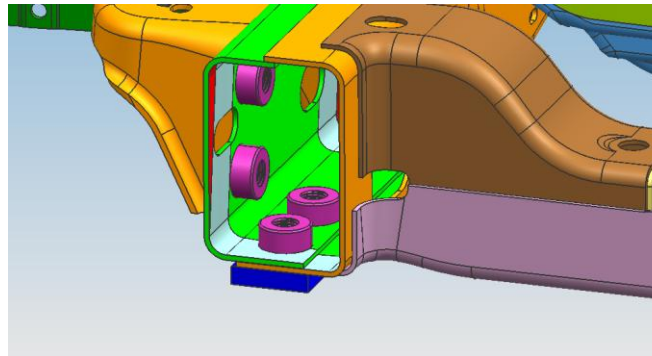
// Step 4:

Use the same size of hardware (M14 hardware) as the RS and secure them.



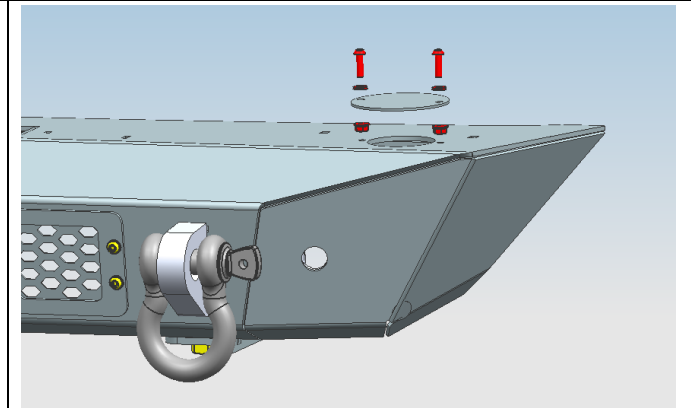
//Step 1:

Place the Nut Plate into the PS frame and use the nuts as connection to the bumper.



//Step 3:

Because there are welded nuts inside the DS frame, we don't have to place any nut plate for connection.



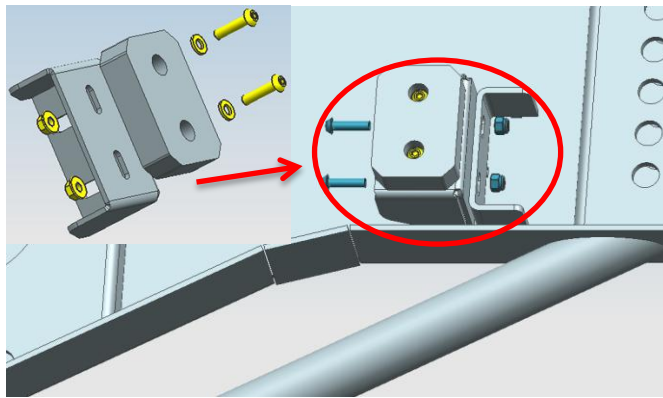
//Step 5:

Install the block plate by using the M6 bolts, flat washers and flange nuts, when the spare tire carrier is not needed.

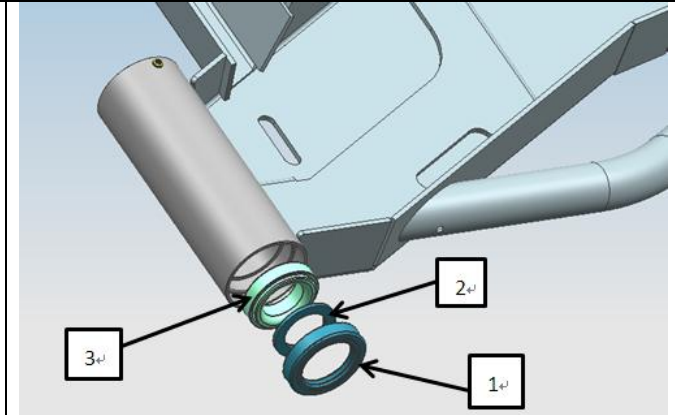
Optional Spare Tire Carrier Install Guide

Contents:

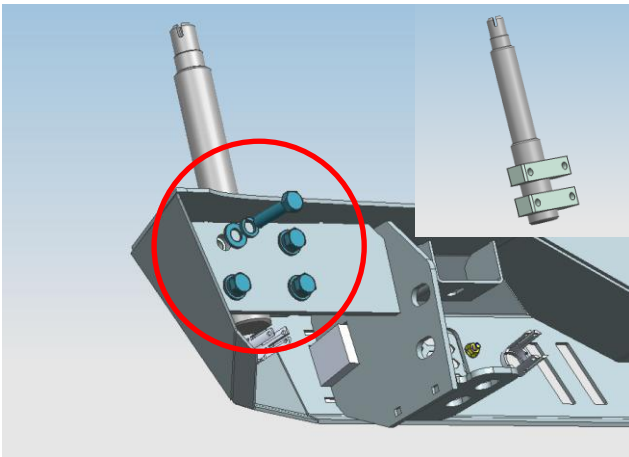
- | | |
|-------------------------|---------------------|
| Spare Tire Carrier x 1 | Stop Rubber x 1 |
| Base Mount x 1 | Rubber Mount x 1 |
| Spare Tire Mount x 1 | Camera Hardware x 1 |
| Tailgate Base Mount x 1 | M6 Spacer x 1 |
| Camera Extension x 1 | Washer x 1 |
| Brake Light Bracket x 1 | Bearing A x 1 |
| Bearing Ring x 1 | Bearing B x 1 |
| φ36 Bear Ring x 1 | Oil Seal x 1 |
| Adjusting Rod x 1 | M24 Nut x 1 |
| Hinge Bottom Plate x 1 | Hinge Top Cover x 1 |
| 3M Tape x 2 | Hardware Kit x 1 |



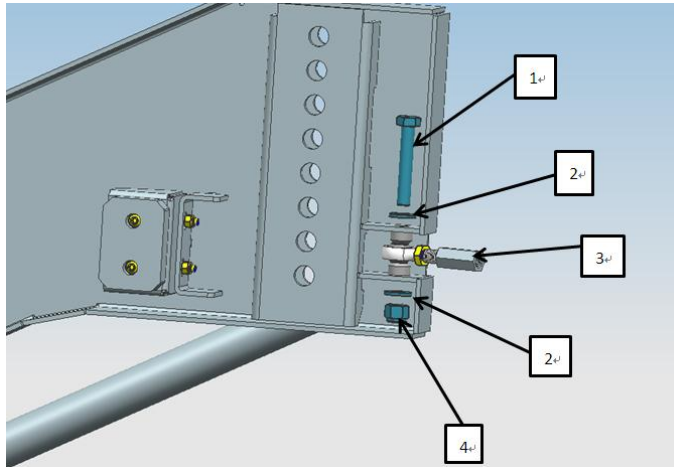
//Step 2:
Install the stop rubber onto the rubber bracket first, using the M6 hardware as shown. And install the rubber stop onto the tire carrier, using the M6 bolts and lock nuts.



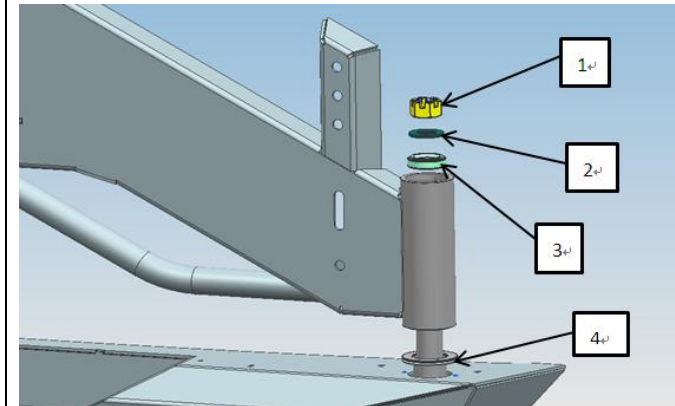
// Step 4:
Before installing the spare tire carrier onto the rear bumper, install the bearings and oil seal into the hinge part: (1) Oil Seal ; (2) φ36 Bearing Ring; (3) Bearing A.



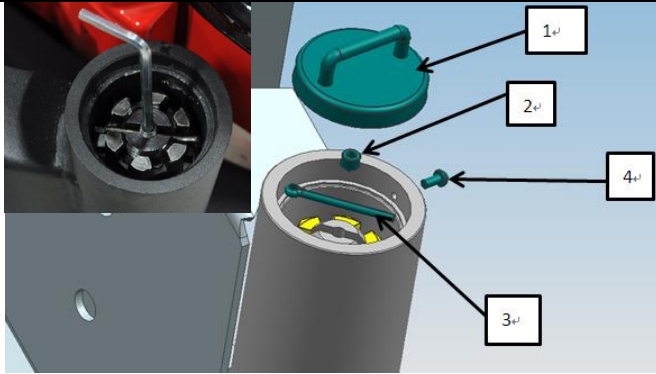
// Step 1:
Install the hinge onto the rear bumper, using the M12 bolts, lock washers and flat washers.



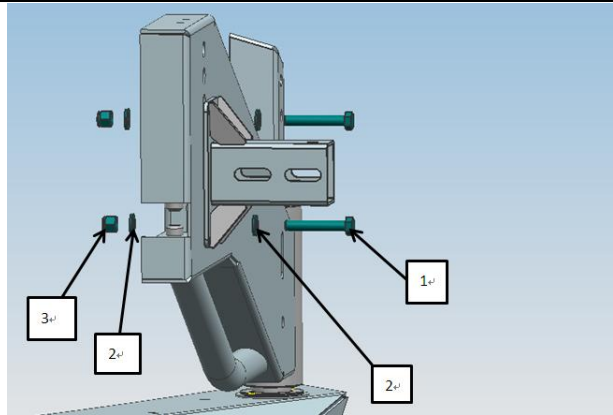
//Step 3:
Install the adjusting rod with the (1) M12 Bolts, (2) M12 Flat washers, (3) Rod, and (4) M12 Lock nuts as shown.



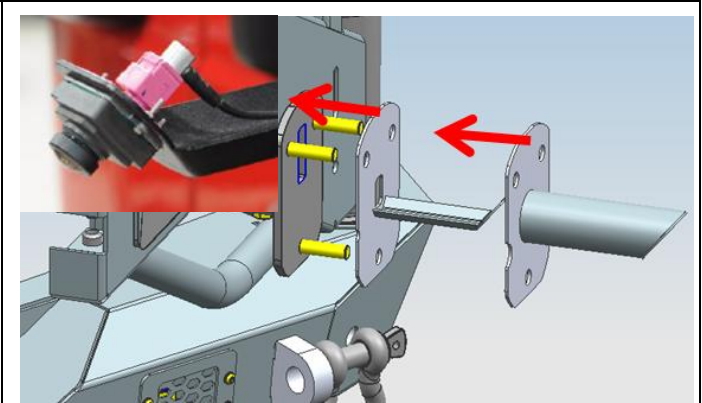
// Step 5:
Connect the spare tire carrier with the rear bumper with the hinge and complete the installation remained for the hinge: (1) M24 Nut; (2) Bearing Ring; (3) Bearing B; (4) Bottom Plate + 3M Tape



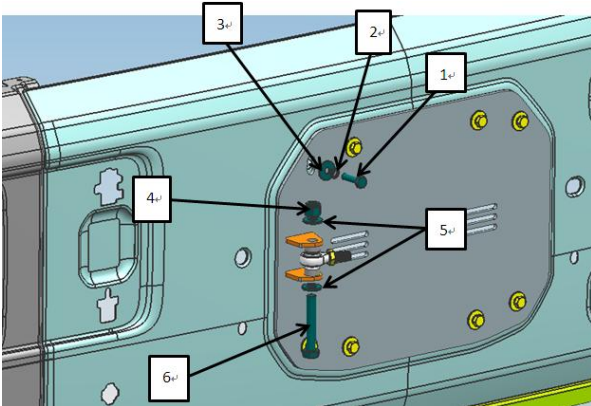
//Step 6:
Secure the hinge with the supplied hardware and cover it with the top cover: (1) Top Cover; (2) M8 Screw; (3) M4 rod; (4) M4 Cross-screw;



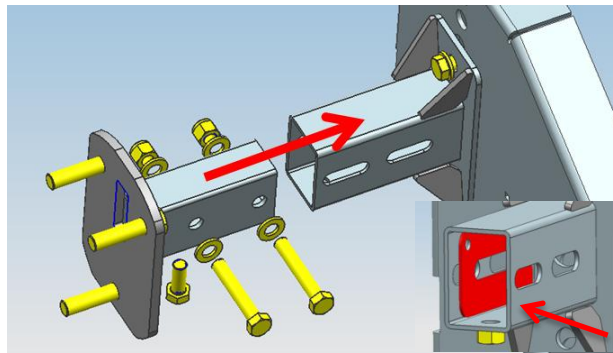
//Step 8:
Connect the spare tire carrier and the tailgate mount with below hardware: (1) M12 Bolt; (2) M12 Flat Washers; (3) M12 Lock Nut.



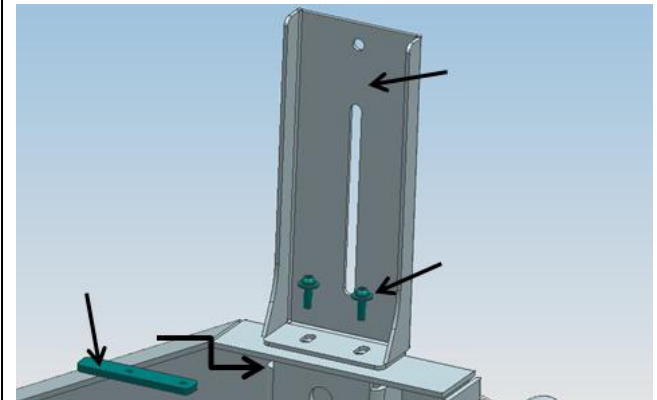
//Step 10:
Install the camera onto the bracket with the M2 bolts, flat washers and nuts. Then slide the camera mount bracket onto the spare tire mount.



//Step 7:
Use the hardware shown to install the tailgate mount: (1) M8 Bolts; (2) M8 Lock Washers; (3) M8 Flat washers; (4) M12 Lock Nut; (5) M12 Flat Washer; (6) M12 Bolt.



//Step 9:
Before install the spare tire mount, insert the spacers into the spare tire mount bracket. And complete the installation with the supplied M12 Hardware.



//Step 11:
Install the brake light bracket onto the spare tire carrier with supplied M6 hardware. The brake light would be secure to the bracket with M6 bolts and lock nuts.