

JEEP16-SKID LDB-JEEP16-FB

HD Front Bumper 2018+JL

Tools Required:

Trim Panel Removal Tool

Ratchet

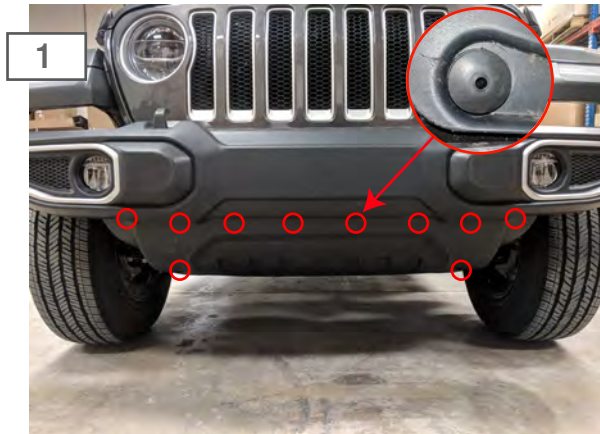
7mm, 8mm, 13mm, 16mm, 18mm Sockets

10mm Wrench

Torx Bits

Contents:

- | | |
|----------------------------|-----------------------|
| (1) Bumper | (20) 8mm Flat Washers |
| (2) Fog Light Brackets | (8) 12mm Flat Washers |
| (2) JK Skid Plate Brackets | (2) 8mm Cap Nuts |
| (2) JL Skid Plate Brackets | (8) 4mm Nuts |
| (4) Bolt Plates | (4) 12mm Nuts |
| (12) 4mm Lock Washers | (4) 12mm Bolts |
| (12) 8mm Lock Washers | (12) 4mm Allen Bolts |
| (8) 12mm Lock Washers | (8) 8mm Nuts |
| (20) 4mm Flat Washers | (8) 8mm Bolts |



From under the vehicle, remove the (8) plastic push pins securing the factory splash shield to the vehicle. Next remove the (2) 8mm screws, and remove the splash shield from the vehicle.



Remove the (2) upper plastic push pins securing the plastic cover to the frame rails.



Carefully unplug the foglight wiring harness from the connector.

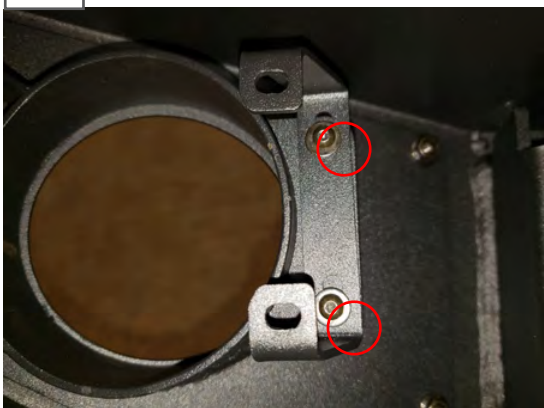


From under the vehicle, access and remove the (8) 18mm nuts, and (4) 18mm bolts securing the factory bumper to the vehicle. Then fully remove the bumper from the vehicle.



Remove the factory foglight harness from the factory bumper using a trim panel removal tool. ****Note, the factory bumper is two pieces. You will have to remove all (24) 7mm screws to gain access to the foglight harness.**

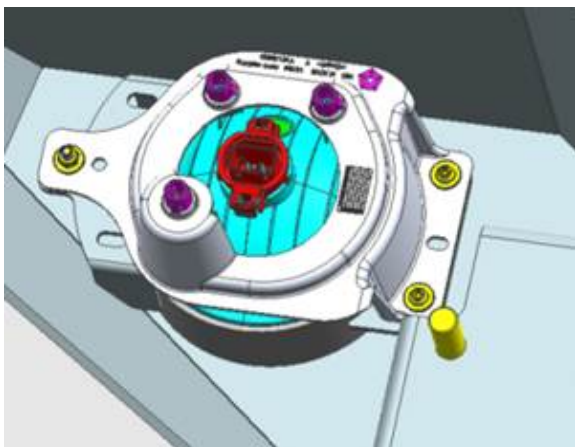
6



Install the (2) LED fog light brackets to the fog light mounts of the bumper using the (4) M4 allen bolts, washers and nuts.

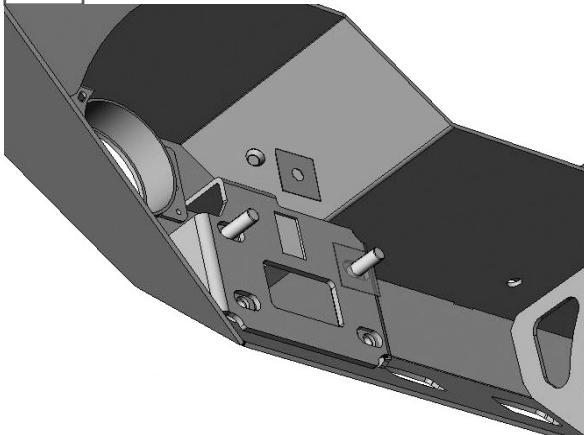


Install the factory foglight to the foglight mount using the (4) M4 allen bolts, washers and nuts.
(For JK, JL Sahara and JL Rubicon Versions)



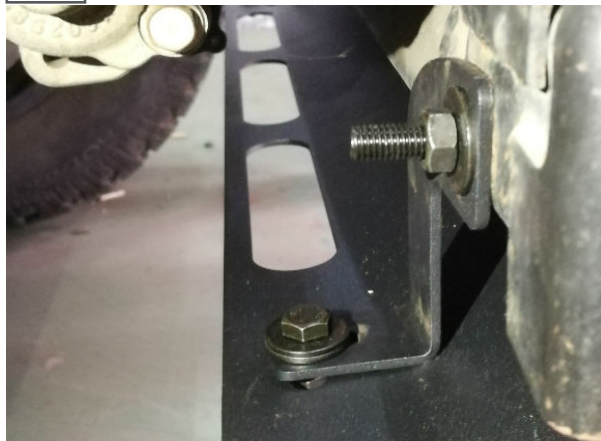
For JL Sport Version, install the fog light directly using the M4 hardware.

7



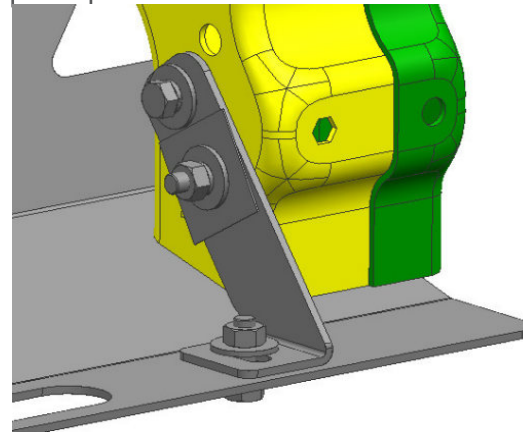
Insert the (2) Bolt plates through the back side of the bumper mount and secure using the plastic holders.

8



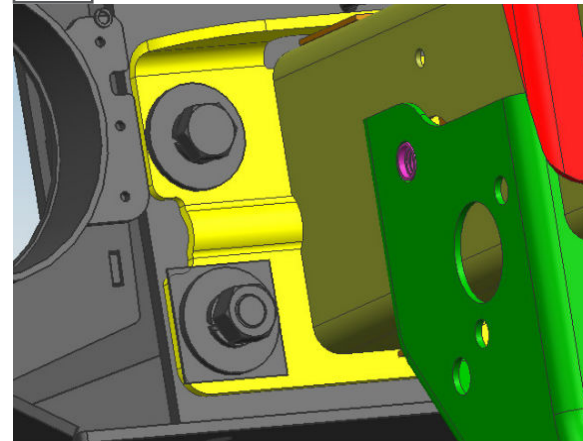
For JK:
Install the skid plate brackets to the lower frame rail of the vehicle using the M8 bolts, flat washers, lock washers and nuts.

9



For JL:
Remove the JL factory skid plate before installation. Install the skid plate brackets to the lower frame rail of the vehicle using the M8 Bolts, flat washers, lock washers and nuts.

10



Attach the bumper to the frame using the M12 Bolts, nuts, lock washers and flat washers. Torque to 40 ft-lbs.