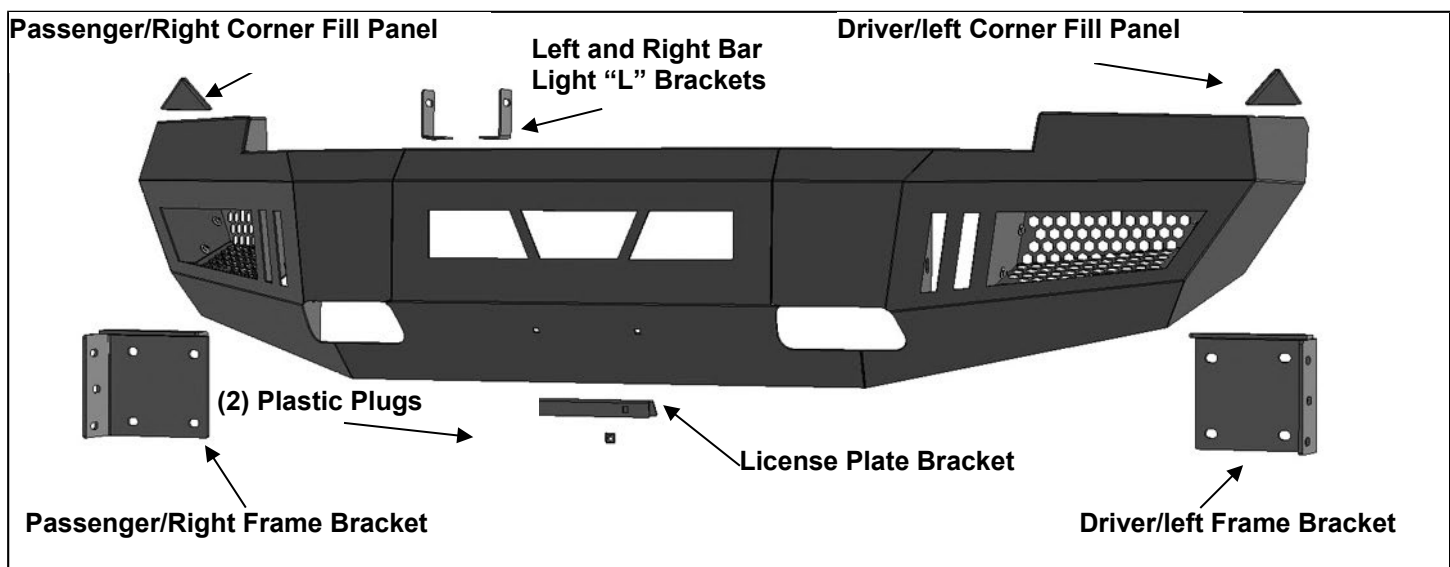




PARTS LIST:

1	LD1 Front Bumper Assembly	8	10mm Lock Washers
1	Driver/left Frame Mounting Bracket	8	10mm Hex Nuts
1	Passenger/right Frame Mounting Bracket	2	8-1.25mm x 25mm Hex Bolts
1	Driver/left Top Corner Filler Panel	2	8-1.25mm x 16mm Hex Bolts (LED light bar)
1	Passenger/right Top Corner Filler Panel	6	8mm x 24mm x2mm Flat Washers
1	Driver/left "L" Bracket (center LED light)	4	8mm Lock Washers
1	Passenger/right "L" Bracket (center LED light)	2	8mm Hex Nuts
1	License Plate Bracket	6	6mm x 20mm Button Head Bolts
2	Plastic Plugs for license plate mount	4	6mm x 18mm x 1.6mm Flat Washers
6	12-1.75mm x 35mm Hex Bolt	4	6mm x 12mm OD x 1.5mm Flat Washers
12	12mm x 37mm OD x 3mm Flat Washers	4	6mm Lock Washers
6	12mm Lock Washers	2	6mm Nylon Lock Nuts
6	12mm Hex Nuts	1	4mm Allen Wrench(6mm)
8	10-1.5mm x 35mm Hex Bolts	10	Nylon Wire Ties
16	10mm x 27mm OD x 3mm Flat Washers		



PROCEDURE:

REMOVE CONTENTS FROM BOX. VERIFY ALL PARTS ARE PRESENT. READ INSTRUCTIONS CAREFULLY BEFORE STARTING INSTALLATION. BUMPER IS HEAVY, ASSISTANCE IS HIGHLY RECOMMENDED TO AVOID POSSIBLE INJURY OR DAMAGE TO THE VEHICLE.

1. Remove the license plate and bracket. Remove lower air dam, (**Figure 1**). **NOTE:** Air dam is attached with several 2pc retaining clips. Pry up center of pin to release and remove clips.
2. On models with factory fog lights, unplug wiring harness, (**Figure 2**). Release the harness from the clips attached to the back of the bumper and move harness away.
3. Next, determine if the vehicle is equipped with a one or a two-piece front bumper.

One-piece front bumper:

- a. Release inner fender liner to access hardware attaching the ends of the bumper cover. **NOTE:** It may be easier to access the bumper cover hardware with the headlight assembly removed. (**Figures 3 & 4**).
- b. Remove the plastic cover from the top of the grille and remove the grille.

- c. Remove the hardware attaching the bottom of the bumper cover. With assistance, remove the bumper cover.
- d. Remove the inner bumper assembly from the ends of the frame. **(Figure 8)**.

Two-piece front bumper:

- a. Release inner fender liner to access hardware attaching the ends of the bumper cover.
NOTE: It may be easier to access the bumper cover hardware with the headlight assembly removed, **(Figures 3 & 4)**.
 - b. Place blocks or jack stands under the front bumper to support it during mounting bolt removal. Once the bumper has been safely supported, remove the (3) hex nuts attaching each bumper bracket to the end of the frame, **(Figure 5)**. **WARNING!** Assistance is required to hold the bumper in place during hardware removal to prevent the bumper from falling. Slide the bumper assembly off of the tow hooks, (if equipped).
 - c. Remove the plastic fascia fill panel between the headlights and the top of the bumper, **(Figure 6)**.
4. Remove the plastic bumper reinforcement from the bottom of the grille. Next, remove the plastic inner support blocks from the bottom of the headlights, **(Figure 7 & 8)**. Reattach the front of the fender and the inner fender liner on both sides of the vehicle.
 5. Select the driver/left side Frame Mounting Bracket, **(Figure 9)**. **NOTE:** Holes in mounting flange on end of frame are two sizes (3-large, 1-small). Attach the Bracket to the end of the frame with (3) 12mm x 35mm Hex Bolts, (6) 12mm Flat Washers, (3) 12mm Lock Washers and (3) 12mm Hex Nuts. Use (1) 10mm x 35mm Hex Bolt, (2) 10mm Flat Washers, (1) 10mm Lock Washer and (1) 10mm Hex Nut to attach the Bracket to the smaller, top mounting hole in the bumper flange, **(Figures 9 & 10)**. Repeat install the passenger/right Frame Bracket.
 6. With assistance, position the LD1 Bumper Assembly up to the outside of the Frame Brackets. Temporarily support the weight of the Bumper. **WARNING:** To avoid possible injury or damage to the vehicle, do not proceed until the Bumper is fully and safely supported. **NOTE:** It may be easier to install accessory lighting before installing the Bumper, (models with tow hooks for example). See **Step 10** regarding lighting if desired.
 7. Attach the mounting tab on the back of the driver/left side of the Bumper to the Frame Bracket with (3) 10mm x 35mm Hex Bolts, (6) 10mm Flat Washers, (3) 10mm Lock Washers and (3) 10mm Hex Nuts, **(Figures 11 & 12)**. Do not fully tighten at this time. Repeat this Step to attach the passenger/right side of the Bumper to the Frame Bracket.
 8. Select the driver/left triangle shaped Top Corner Fill Panel, **(Figure 13)**. Attach the Panel to the top of the bumper with (2) 6mm x 20mm Button Head Screws, (2) 6mm Lock Washers and (2) 6mm x 12mm Small Flat Washers, **(Figures 13 & 14)**. **NOTE:** The Driver and passenger side Top Corner Fill Panels look similar but are unique. The side of the triangle with the small notch will go toward the rear, (toward the fender). Repeat to install the passenger/right Top Corner Fill Panel.
 9. Level and adjust the bumper and fully tighten all hardware.
 10. If front license plate is required, attach the License Plate Bracket to the holes in the bumper with the included (2) 6mm x 20mm Button Head Screws, (4) 6mm x 18mm Large Flat Washers and (2) 6mm Nylon Lock Nuts. Insert (2) Plastic Plugs into the square holes in the Bracket. Reuse the factory screws to attach the license plate to the plastic plugs, **(Figure 15)**.
- Center LED light installation** as supplied with bumper or sold separately.
- a. Select the L/R "L" Brackets, **(Figure 16)**. Attach the Brackets to the top of the (2) mounting tabs welded onto the back of the bumper with the included 8mm x 25mm Hex Bolts, (4) 8mm Flat Washers, (2) 8mm Lock Washers and (2) 8mm Hex Nuts. Leave loose at this time.

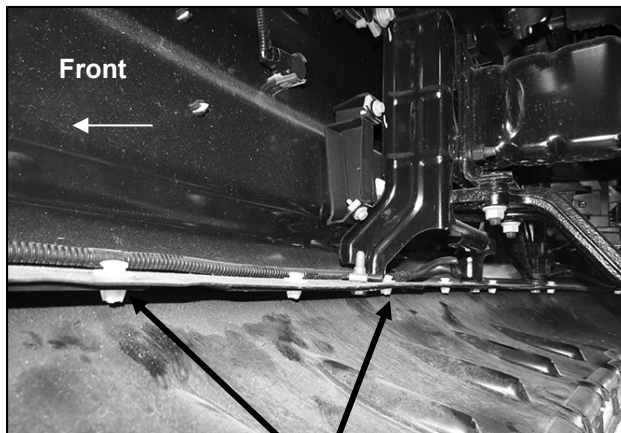
- b. Attach the LED light assembly to the “L” Brackets with the included (2) 8mm x 16mm Hex Bolts, (2) 8mm Lock Washers and (2) 8mm Flat Washers. Do not fully tighten hardware at this time. **IMPORTANT:** “L” Brackets are designed for 8mm light mounting hardware only. Modify “L” Brackets if necessary or use brackets supplied by your light manufacturer if possible to install hardware larger than 8mm.
- c. Follow light manufacturer’s instructions to properly wire the light.

LED light installation at ends of bumper as supplied with bumper or sold separately.

- d. Insert light into opening and up to mounting slots. Check for clearance between front and back of light. If necessary, remove screen from back of opening, (**Figure 17**).
- e. Follow the light manufacturer’s instructions to attach (1) light to the center slot or (2) lights to the inner and outer slots in the top of the light opening, (**Figure 17**).
IMPORTANT: On two light systems, attach the flood light to the outer slot and the spot light to the inner slot.
- f. Repeat the above steps for passenger side light installation.
- g. Follow light manufacturer’s instructions to properly wire the light.

11. Do periodic inspections to the installation to make sure that all hardware is secure and tight.

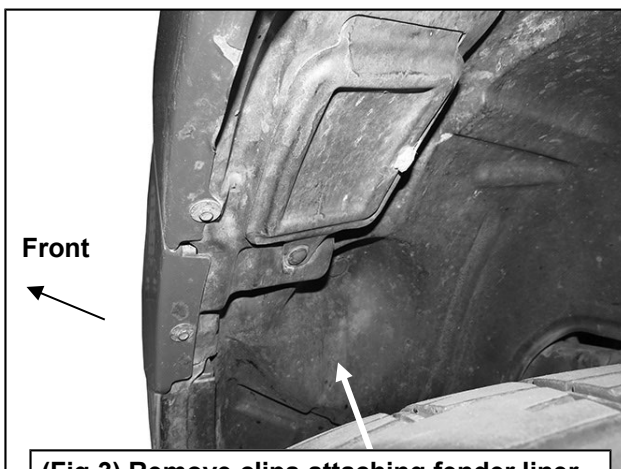
To protect your investment, wax this product after installing. Regular waxing is recommended to add a protective layer over the finish. Do not use any type of polish or wax that may contain abrasives that could damage the finish. Mild soap may be used to clean the Bumper assembly.



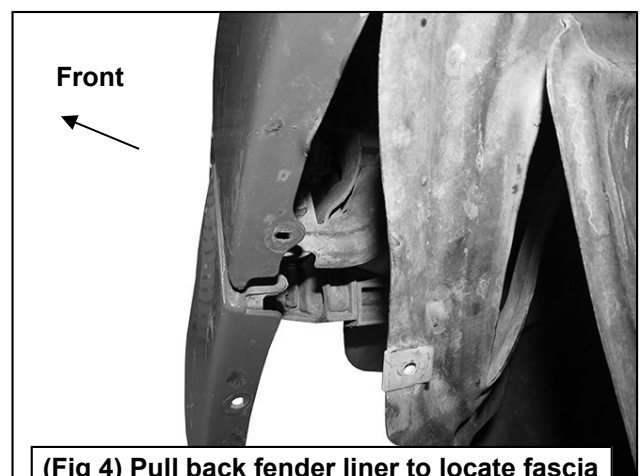
(Fig 1) Release clips (arrow) to remove air dam (pictured from behind bumper-tow hook equipped)



(Fig 2) Unplug fog lights if equipped. Unplug harness to bumper and move harness



(Fig 3) Remove clips attaching fender liner



(Fig 4) Pull back fender liner to locate fascia attachment at bottom of front fender

Driver Side Installation Pictured



(Fig 5) Remove factory hex nuts from each side

WARNING! Do not remove bumper bolts unless the bumper is properly supported on blocks or stands or the bumper may fall.

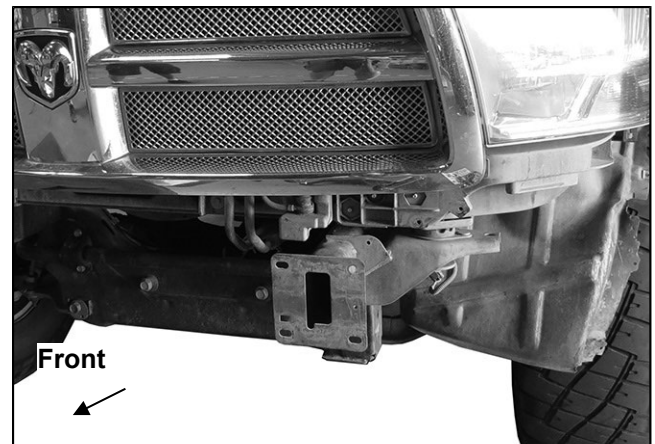


(Fig 6) Remove fascia body panel from top of bumper



Front

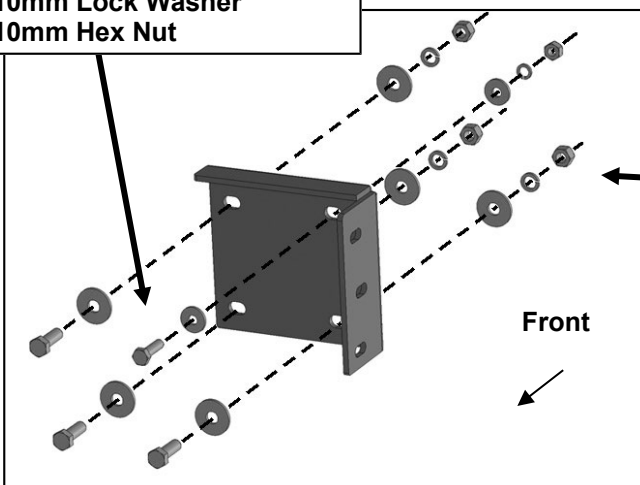
(Fig 7) Remove plastic block from below headlights



Front

(Fig 8) Driver/left end of frame. Note (1) round hole and (3) slots in each mounting plate.

- 10mm x 35mm Hex Bolt
- (2) 10mm Flat Washers
- 10mm Lock Washer
- 10mm Hex Nut



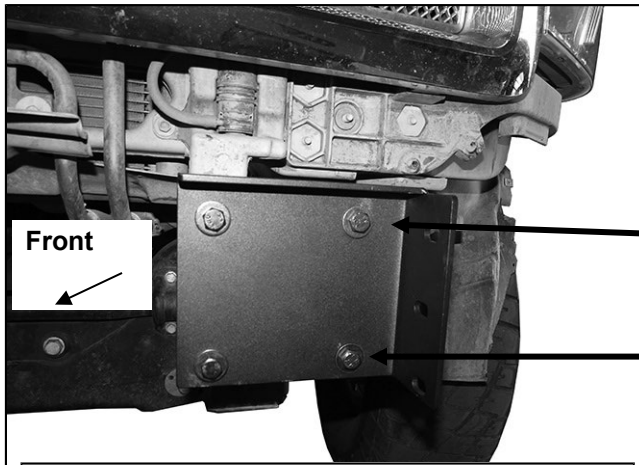
Front

- (3) 12mm x 35mm Hex Bolts
- (6) 12mm Flat Washers
- (3) 12mm Lock Washers
- (3) 12mm Hex Nuts

WARNING! Do not crawl under bumper unless the bumper is properly supported on blocks or stands or the bumper may fall.

(Fig 9) Attach driver/left Bracket to end of frame

Driver Side Installation Pictured



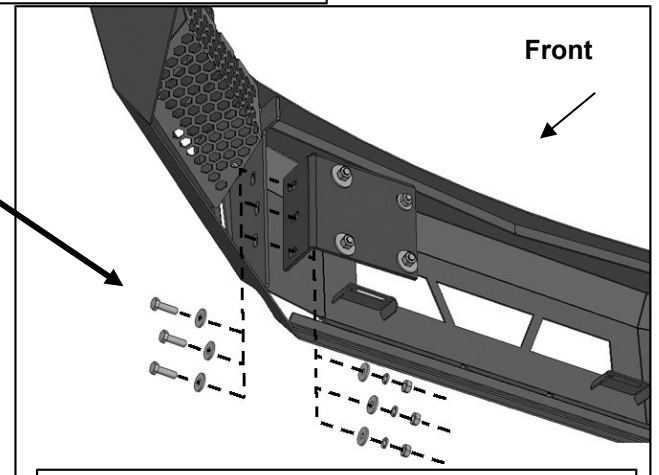
(Fig 10) Driver/left Mounting Bracket installed

WARNING! Do not crawl under bumper unless the bumper is properly supported on blocks or stands or the bumper may fall.

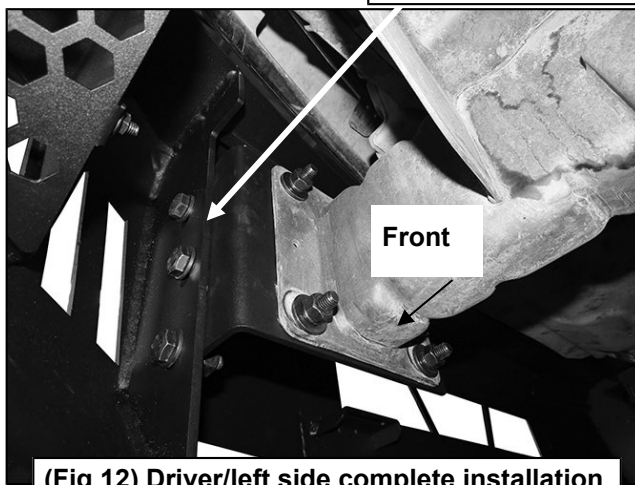
- 10mm x 35mm Hex Bolt
- (2) 10mm Flat Washers
- 10mm Lock Washer
- 10mm Hex Nut

- (3) 12mm x 35mm Hex Bolts
- (6) 12mm Flat Washers
- (3) 12mm Lock Washers
- (3) 12mm Hex Nuts

- (3) 10mm x 35mm Hex Bolts
- (6) 10mm Flat Washers
- (3) 10mm Lock Washers
- (3) 10mm Hex Nuts



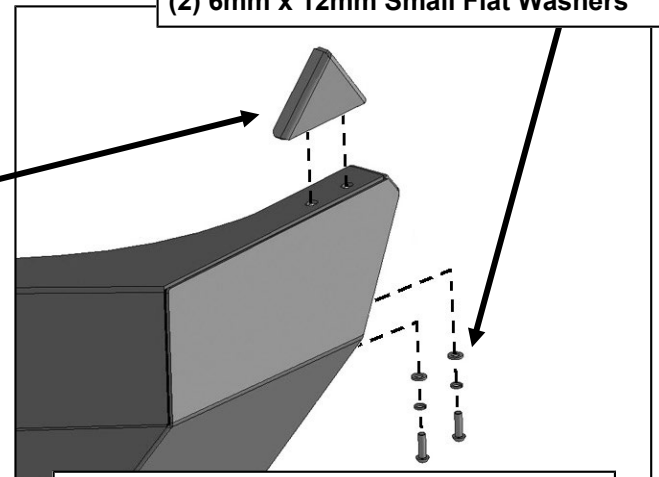
(Fig 11) Attach Bumper to Mounting Brackets



(Fig 12) Driver/left side complete installation

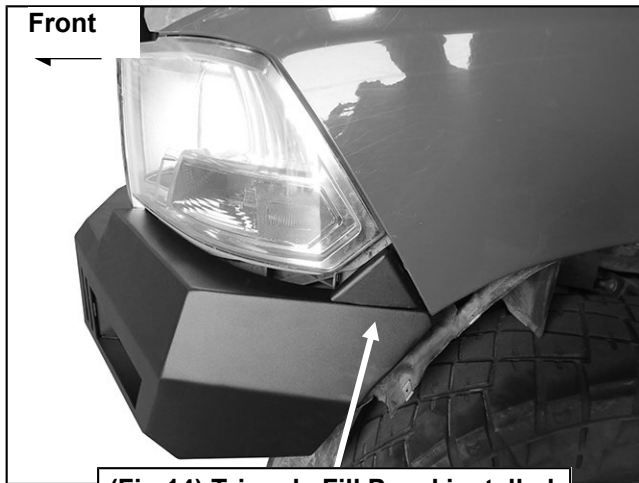
- (2) 6mm x 20mm Button Head Screws
- (2) 6mm Lock Washers
- (2) 6mm x 12mm Small Flat Washers

NOTE: Notch designates rear of triangle Fill Panel

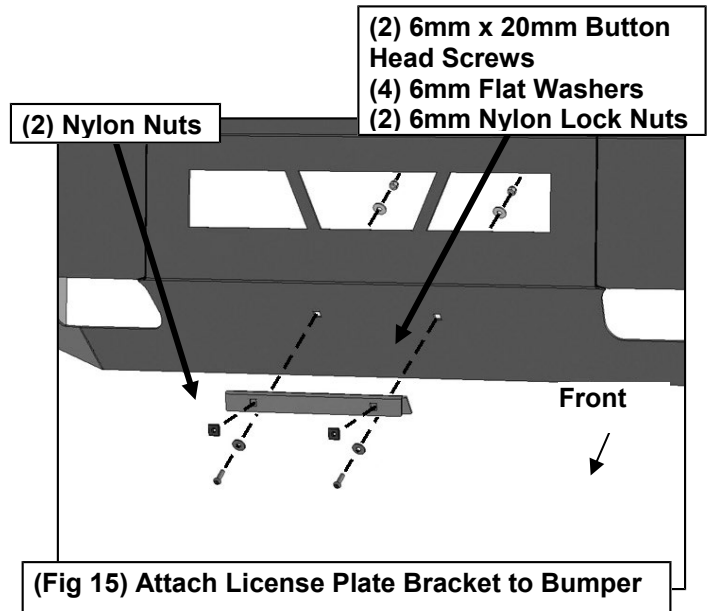


(Fig 13) Attach Driver/left side triangle Fill Panel to top corner of Bumper assembly

Driver Side Installation Pictured

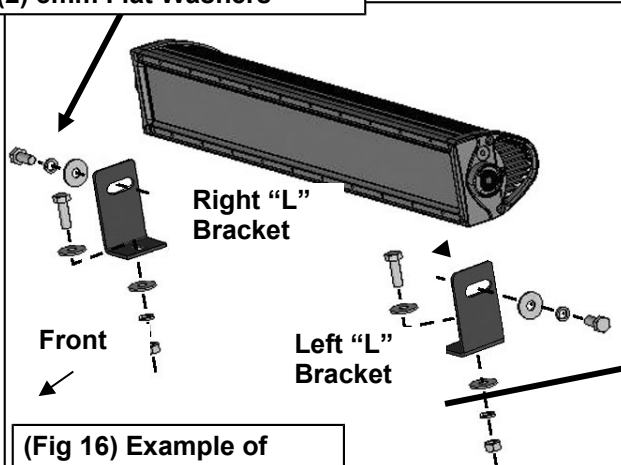


(Fig 14) Triangle Fill Panel installed

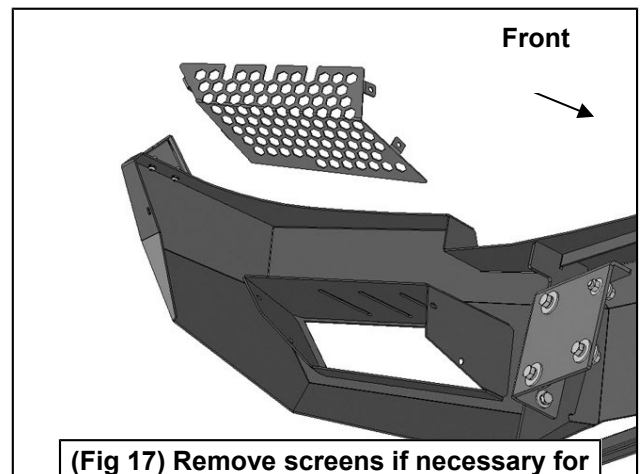


(Fig 15) Attach License Plate Bracket to Bumper

- (2) 8mm x 16mm Hex Bolts
- (2) 8mm Lock Washers
- (2) 8mm Flat Washers



(Fig 16) Example of center light installation



(Fig 17) Remove screens if necessary for clearance/access to outer light mounts

