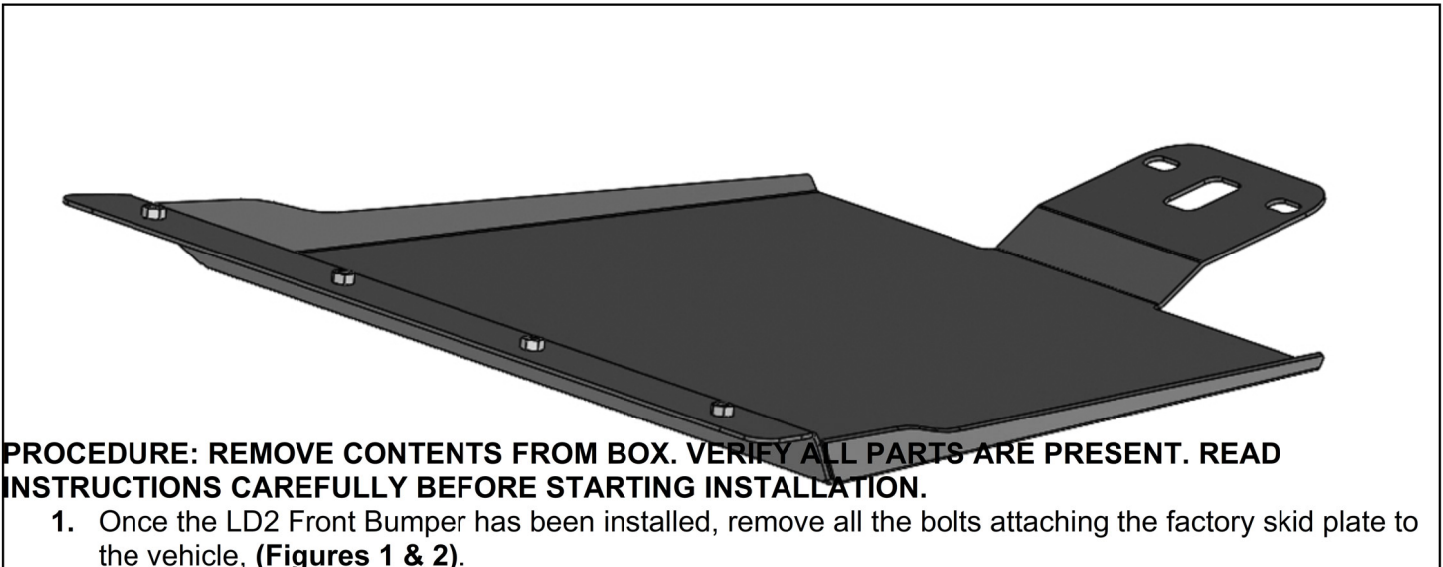




PARTS LIST:

FORD52-SKID

1	Skid Plate	2	8mm x 28mm x 3mm Flat Washers
2	8mm U-Clips	4	8mm x 24mm x 2mm Flat Washers
6	8-1.25mm x 25mm Button Head Bolts	1	5mm Allen Wrench
6	8mm Lock Washers		

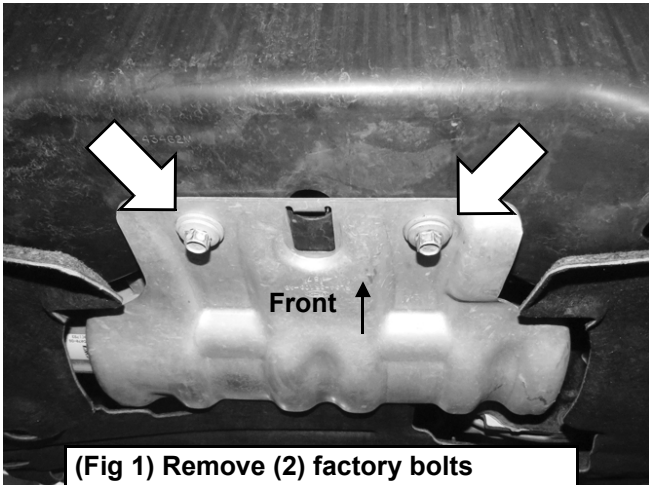


PROCEDURE: REMOVE CONTENTS FROM BOX. VERIFY ALL PARTS ARE PRESENT. READ INSTRUCTIONS CAREFULLY BEFORE STARTING INSTALLATION.

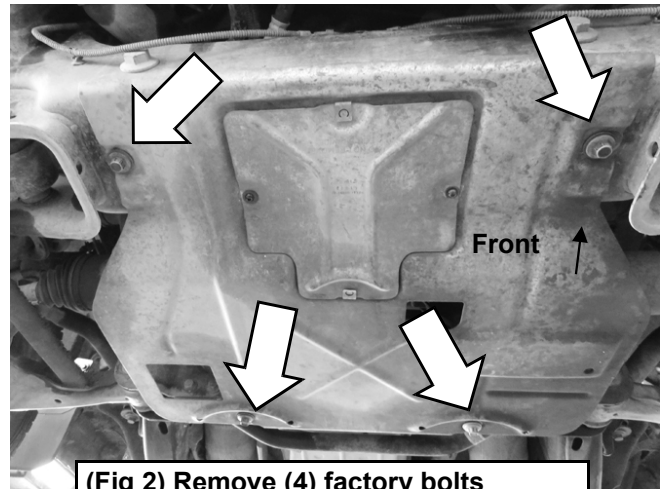
1. Once the LD2 Front Bumper has been installed, remove all the bolts attaching the factory skid plate to the vehicle, **(Figures 1 & 2)**.
2. With assistance, place the Skid Plate on top of the back of the Bumper and align the welded nuts on the Plate with the slots on the Bumper. Use (4) 8mm Button Head Bolts, (4) 8mm Lock Washers and (4) 8mm x 24mm Flat Washers to attach the Skid Plate to the Bumper, **(Figure 3)**. Leave hardware loose at this time.
3. **On models with a standard skid plate (Fig 1):**
 - a. With assistance, place rear-end of the Skid Plate in between the factory skid plate and crossmember.
 - b. Reuse the (2) factory bolts to attach the Skid Plate to factory skid plate and the crossmember.
 - c. Adjust Skid Plate as necessary and tighten hardware at this time.
4. **On models with an off-road skid plate (Fig 2):**
 - a. Locate the rear skid plate mounting location, **(Figure 4)**.
 - b. Slide (1) 8mm U-Clip into the rectangular opening with the nut towards the inside, **(Figure 5)**. Line up the threaded nut on the Clip with the round hole. Repeat to install the 2nd 8mm Clip Nut in the remaining round hole location.
 - c. Attach the rear end of the Skid Plate to the (2) Clip Nuts using (2) 8mm Button Head Bolts, (2) 8mm Lock Washers and (2) 8mm x 28mm Flat Washers, **(Figure 6)**.
 - d. Adjust Skid Plate as necessary and tighten hardware at this time.
 - e. Reinstall the factory off-road skid plate and tighten hardware, **(Figure 7)**.
5. Do periodic inspections to the installation to make sure that all hardware is secure and tight.

SKID PLATE FOR LD2 FRONT BUMPER 15-17 FORD F150

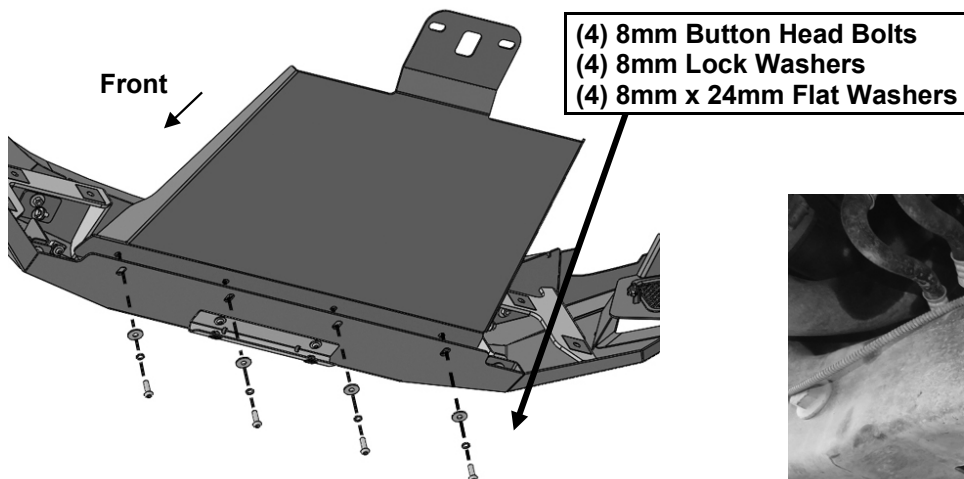
To protect your investment, wax this product after installing. Regular waxing is recommended to add a protective layer over the finish. Do not use any type of polish or wax that may contain abrasives that could damage the finish. Mild soap may be used to clean the Skid Plate.



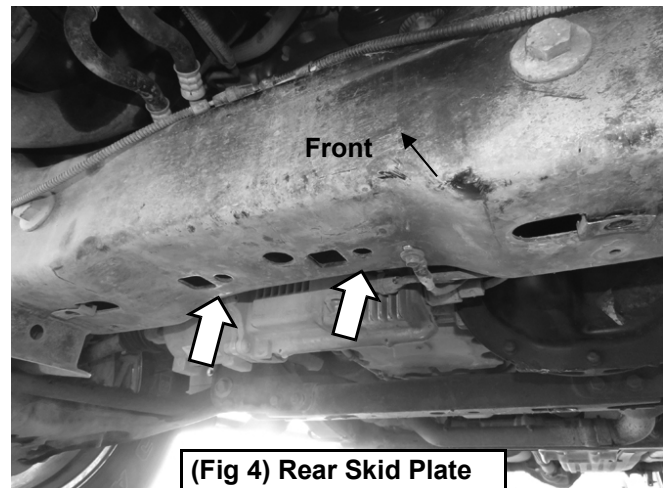
(Fig 1) Remove (2) factory bolts attaching factory skid plate to vehicle



(Fig 2) Remove (4) factory bolts attaching factory skid plate to vehicle

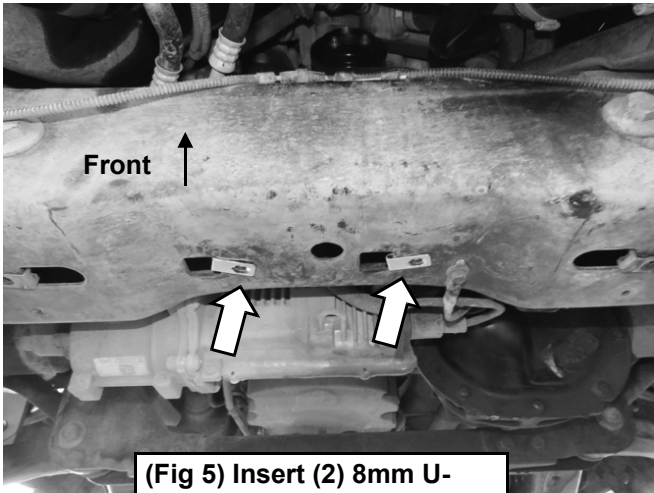


(Fig 3) Attach Skid Plate to the top of the back of the Bumper

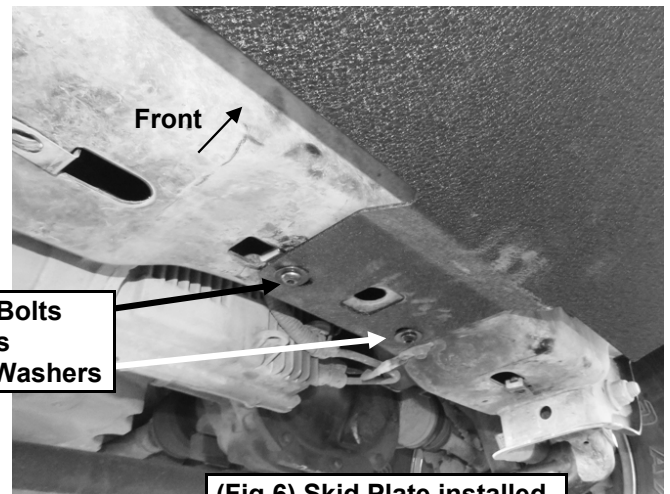


(Fig 4) Rear Skid Plate mounting location

**SKID PLATE FOR LD2 FRONT BUMPER
15-17 FORD F150**

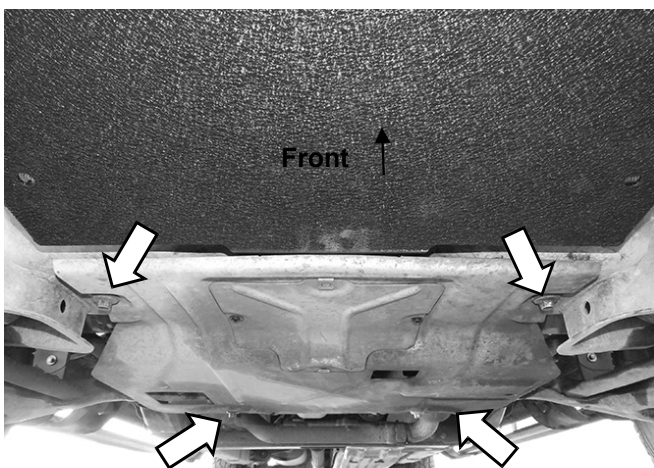


(Fig 5) Insert (2) 8mm U-Clips into mounting holes



- (4) 8mm Button Head Bolts**
- (4) 8mm Lock Washers**
- (4) 8mm x 28mm Flat Washers**

(Fig 6) Skid Plate installed at the rear of the vehicle



(Fig 7) Reinstall factory skid plate

Discover other off-road bumpers on our website.