



OVER 35 YEARS OF INNOVATION, QUALITY, SAFETY.
IMPORTANT OWNER-OPERATOR INSTALLATION INSTRUCTIONS

M9006/MAGNUM

ADAPTER SLEEVE

APPLICATION FITS

-2.5” MAGNUM SUPERHITCH

Minor movement (or settling) can occur in some incidental harsh driving conditions (On or off road). A rubber bed mat is not a requirement to maintain the lifetime warranty on a Torklift system, but a strong recommendation, simply as a safety precaution to protect the truck bed, the bottom of the camper and to give the camper additional support.

Warning!!

TORKLIFT DOES NOT RECOMMEND: Installing your truck camper in your truck on top of a drop in plastic bed liner!!! **THIS WILL VOID YOUR WARRANTY!**

The drop in plastic bed liners can slide on top of the truck bed surface, and the camper can slide on top of the slick surface of the bed liner. The liner can also act as a spring causing a trampoline effect increasing vertical truck camper movement, independent of the vehicle, possibly resulting in truck bed damage and/or camper damage!

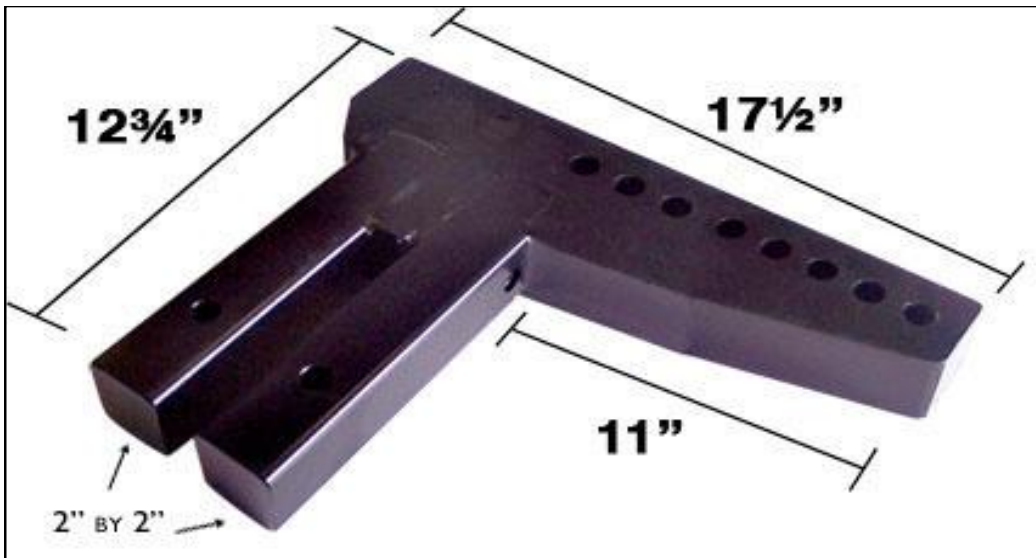
M9006 PARTS INVENTORY

1- 2.5"-2" 20K MAGNUM RECEIVER ADAPTER

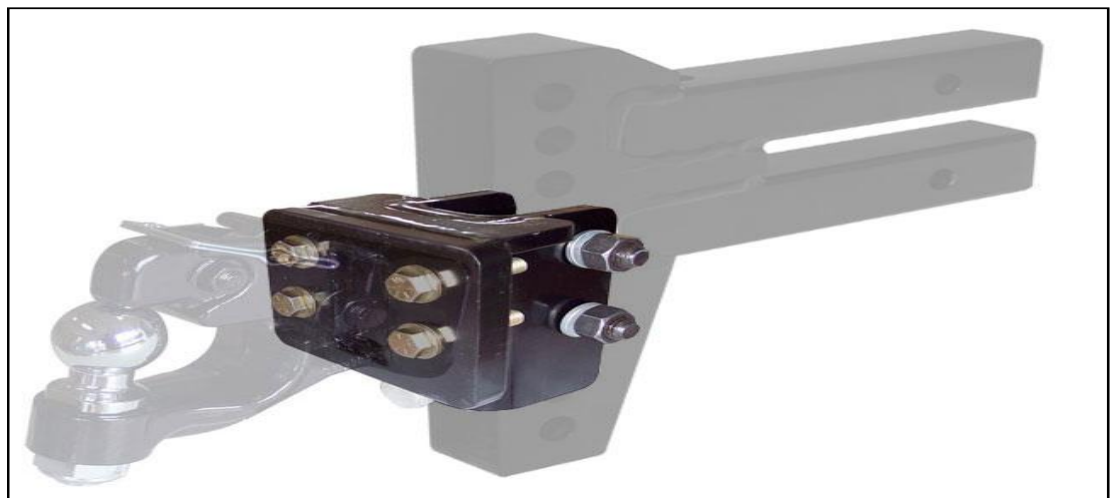


ALSO AVAILABLE-

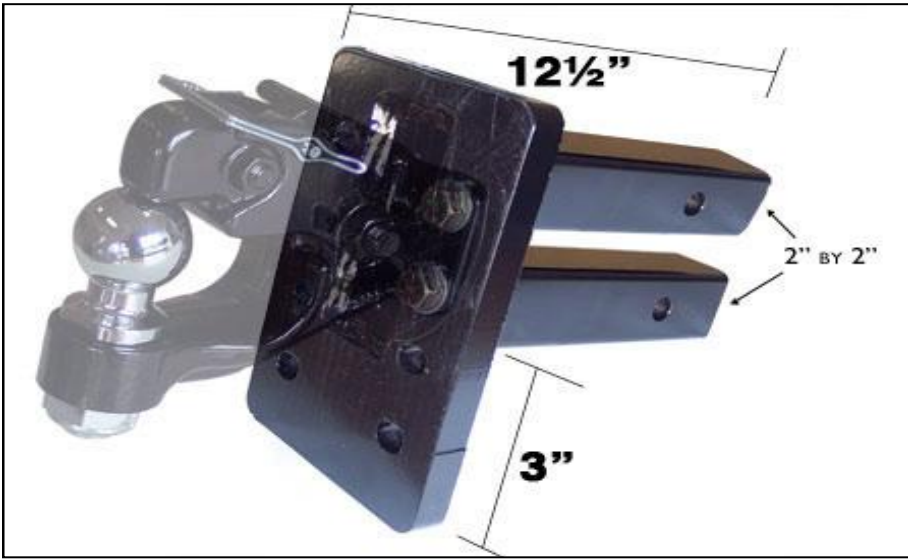
M9000/M9001-20K MAGNUM SHANK (M9001)



M9002-20K MAGNUM PINTLE ADAPTER



M9003/17K MAGNUM PINTLE ADAPTER



M9004/17K MAGNUM BALLMOUNT ADAPTER



ALSO AVAILABLE-

M9005/20K MAGNUM BALLMOUNT ADAPTER

