



OVER 35 YEARS OF INNOVATION, QUALITY, SAFETY.

IMPORTANT OWNER-OPERATOR INSTALLATION INSTRUCTIONS

M9000/20K MAGNUM SHANK

3/4” HOLES

Minor movement (or settling) can occur in some incidental harsh driving conditions (On or off road). A rubber bed mat is not a requirement to maintain the lifetime warranty on a Torklift system, but a strong recommendation, simply as a safety precaution to protect the truck bed, the bottom of the camper and to give the camper additional support.

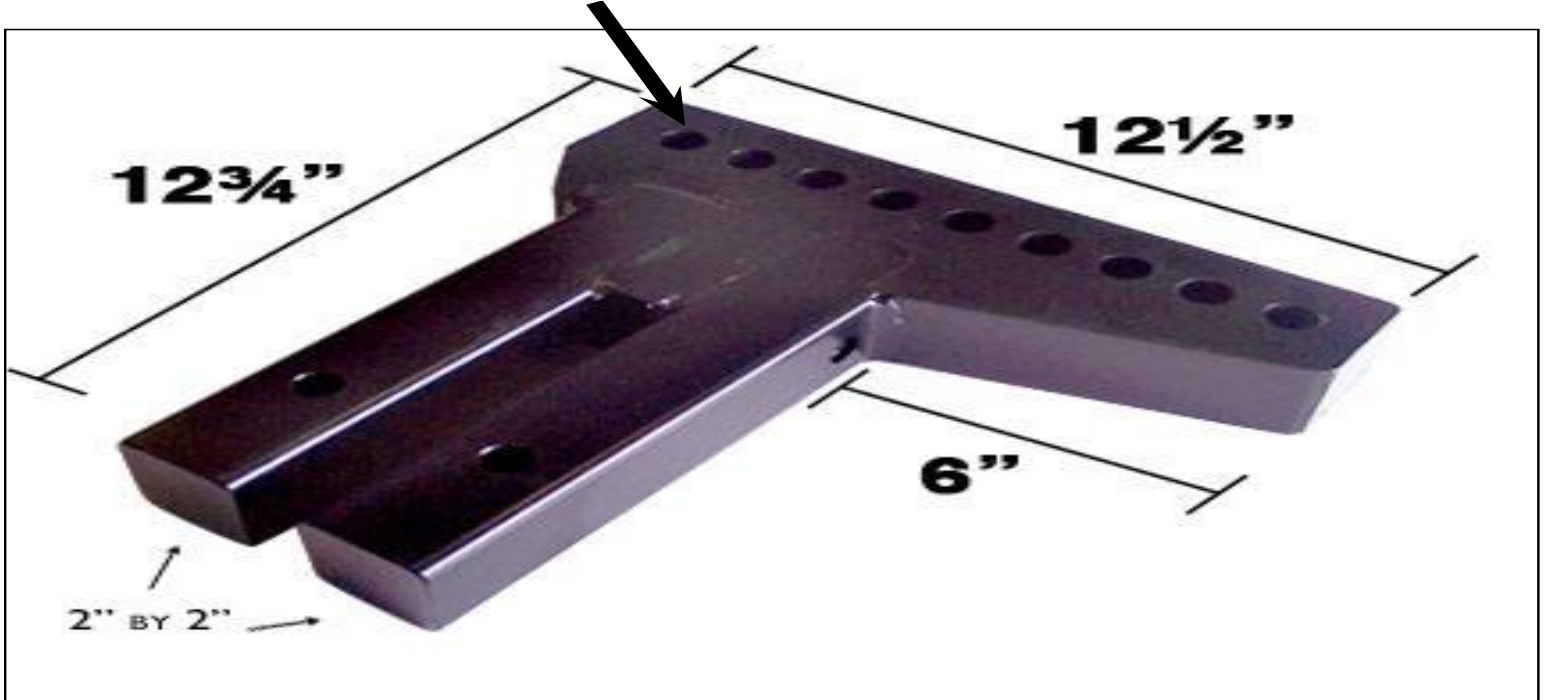
Warning!!

TORKLIFT DOES NOT RECOMMEND: Installing your truck camper in your truck on top of a drop in plastic bed liner!!! THIS WILL VOID YOUR WARRANTY!

The drop in plastic bed liners can slide on top of the truck bed surface, and the camper can slide on top of the slick surface of the bed liner. The liner can also act as a spring causing a trampoline effect increasing vertical truck camper movement, independent of the vehicle, possibly resulting in truck bed damage and/or camper damage!

M9000 PARTS INVENTORY

1- DOUBLE SHANK 20K MAGNUM



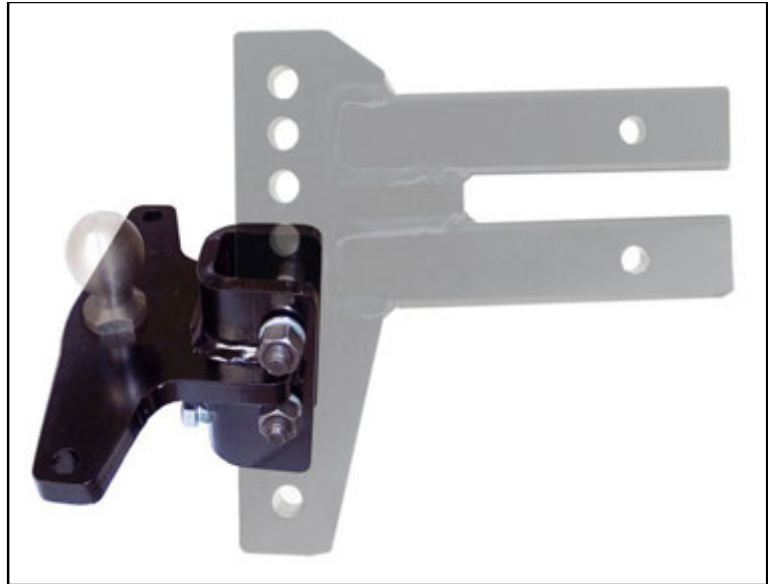
ALSO AVAILABLE:

M9000 20K BALL MOUNT ACCESSORIES-
(SOLD SEPERATELY)

M9002- MAGNUM PINTLE ADAPTER 20K



M9005- MAGNUM BALLMOUNT ADAPTER



NOTE- THE PARTS THAT ARE TRANSPARENT DO NOT COME WITH LISTED PARTS.