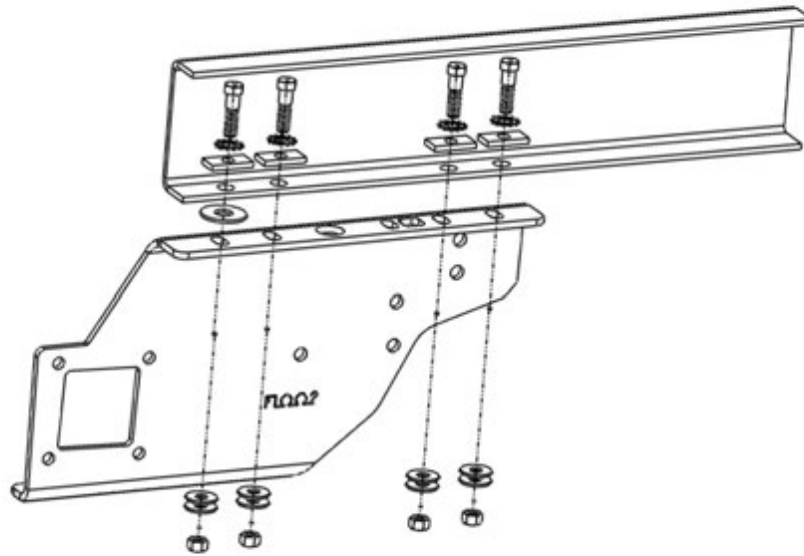



 **TORKLIFT**  
**INTERNATIONAL**  
**OVER 35 YEARS OF INNOVATION, QUALITY, SAFETY.**

IMPORTANT OWNER-OPERATOR INSTALLATION INSTRUCTIONS

F1002 [Hitch Shim Kit](#)



|   |                                 |                                   |
|---|---------------------------------|-----------------------------------|
|  | <p>3/4" Grade 5 Flat Washer</p> | <p>4 (extra washers included)</p> |
|---|---------------------------------|-----------------------------------|

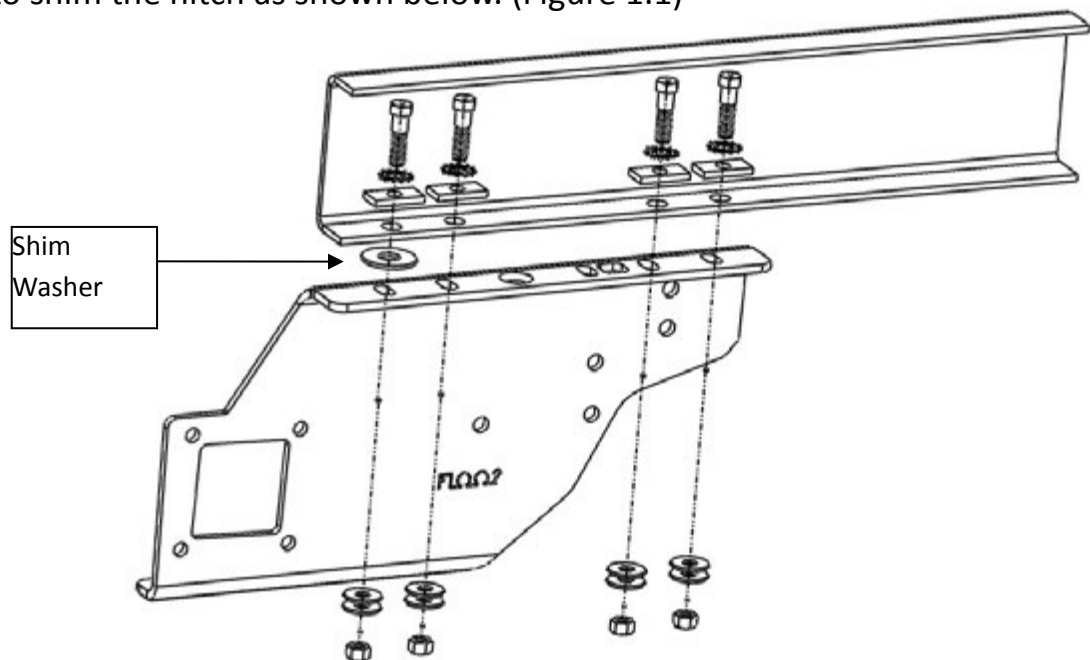
**F1002 Shim Kit PARTS LIST**

This shim kit has been created to remedy a clearance issue on older F1002 Hitches and the B7525 Lance Ultra Deck Plus Bumper. This shim kit is used to decrease the angle of the super truss extension to allow full functionality of the Ultra Deck Plus Slide.

**SIDE PLATE PREPARATION – F1002**

**Step 1**

Loosen but do not remove the eight bolts holding the super hitch side plates to the frame. The rearmost nuts will need to be loosened the most, while the forward nuts will only need to be loosened a few turns. Once all bolts are loose, it is time to shim the hitch as shown below. (Figure 1.1)



**Step 2**

Now the eight frame bolts can be re-tightened. Starting from the rear of the

**Figure 1.1**

One shim washer per side on this bolt.

vehicle, lightly tighten all eight bolts so that the shim wa snugly between the frame and hitch. Now, again working from the rear of the vehicle and alternating sides, re-torque the eight frame bolts to 100ft-lbs. The finished hitch assembly is shown below. (Figure 2.1)

**Figure 2.1**

