



OWNER'S MANUAL

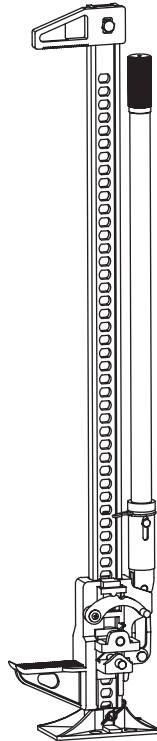
**TRA8205B 20" UTILITY JACK;** Capacity 6,000-lbs. (2,700-kgs)

**TRA8335B 33" UTILITY JACK;** Capacity 6,000-lbs. (2,700-kgs)

**TRA8365B 36" UTILITY JACK;** Capacity 6,000-lbs. (2,700-kgs)

**TR6501B (TRA8485B) 48" UTILITY JACK;** Capacity 6,000-lbs. (2,700-kgs)

**TR6502B (TRA8605B) 60" UTILITY JACK;** Capacity 6,000-lbs. (2,700-kgs)



**▲ WARNING!**

Read carefully and understand all ASSEMBLY AND OPERATION INSTRUCTIONS before operating. Failure to follow the safety rules and other basic safety precautions may result in serious personal injury.

## IMPORTANT

Before You Begin Register This Product.

For future reference, record the model name, model number, date of manufacture and purchase date of this product. You can find this information on the product.

Model Name \_\_\_\_\_

Model Number \_\_\_\_\_

Date of Manufacture \_\_\_\_\_

Date of Purchase \_\_\_\_\_

## OWNER / USER RESPONSIBILITY

**DO NOT OPERATE OR REPAIR THIS PRODUCT WITHOUT READING THIS MANUAL.**

Read and follow the safety instructions. Keep Instructions readily available for operators. Make certain all operators are properly trained and understand how to safely and correctly operate the product. By proceeding you agree that you fully understand and comprehend the full contents of this manual. Failure to operate this product as intended may cause injury or death. The manufacturer is not responsible for any damages or injury caused by improper use or neglect. Allow product operation only with all parts in place and operating safely. Use only genuine replacement parts. Service and maintain the product only with authorized or approved replacement parts; negligence will make the product unsafe for use and will void the warranty. Carefully inspect the product on a regular basis and perform all maintenance as required. Store these instructions in a protected dry location. Keep all decals on the product clean and visible. Do not modify and/or use for any application other than that for which this product was designed. If you have any questions relative to a particular application, DO NOT use the product until you have first contacted the distributor or manufacturer to determine if it can or should be performed on the product.

## INTENDED USE

This universal Ratcheting Utility Jack is very versatile. It's a perfect choice for any application that deals with lifting, pulling, clamping or spreading. This product is tested for reliability and safety to meet ASME B30.1 Standards

## TECHNICAL SPECIFICATIONS

Item	Length	Description	Specifications (Global)	Specifications (US)
TRA8205B	20-inch	Maximum Capacity	2,700 kgs	6,000-lbs
		Minimum Lifting Height	130 mm	5.12 inch
		Maximum Lifting Height	318 mm	12.52 inch
TRA8335B	33-inch	Maximum Capacity	2,700 kgs	6,000-lbs
		Minimum Lifting Height	130 mm	5.12 inch
		Maximum Lifting Height	670 mm	26.38 inch
TRA8365B	36-inch	Maximum Capacity	2,700 kgs	6,000-lbs
		Minimum Lifting Height	130 mm	5.12 inch
		Maximum Lifting Height	720 mm	28.35 inch
TR6501B TRA8485B	48-inch	Maximum Capacity	2,700 kgs	6,000-lbs
		Minimum Lifting Height	130 mm	5.12 inch
		Maximum Lifting Height	1016 mm	40 inch
TR6502B TRA8605B	60-inch	Maximum Capacity	2,700 kgs	6,000-lbs
		Minimum Lifting Height	130 mm	5.12 inch
		Maximum Lifting Height	1315 mm	51.77 inch

Safe Operating Temperature is between 40°F – 105°F (4°C - 41°C)

## GENERAL SAFETY RULES

- ⚠ **WARNING:** Read and understand all instructions. Failure to follow all instructions listed below may result in serious injury.
- ⚠ **CAUTION:** Do not allow persons to operate or assemble this jack until they have read this manual and have developed a thorough understanding of how the jack works.
- ⚠ **WARNING:** The warnings, cautions, and instructions discussed in this instruction manual cannot cover all possible conditions or situations that could occur. It must be understood by the operator that common sense and caution are factors that cannot be built into this product, but must be supplied by the operator.

## SAVE THESE INSTRUCTIONS IMPORTANT SAFETY CONSIDERATIONS

## JACK USE AND CARE

- **Do not modify the jack in any way.** Unauthorized modification may impair the function and/or safety and could affect the life of the equipment. There are specific applications for which the **jack** was designed.
- **Always check of damaged or worn out parts before using the jack.** Broken parts will affect the **jack** operation. Replace or repair damaged or worn parts immediately.
- **Store idle jack.** When **jack** is not in use, store it in a secure place out of the reach of children. Inspect it for good working condition prior to storage and before re-use.
- **Not for use by children** or people with reduced mental capacity.
- **Do not use under the influence of drugs or alcohol.**
- **Ensure children and other bystanders** are kept at a safe distance when using product.

## INSPECTION

- Inspect the jack carefully before each use. Ensure the jack is not damaged, excessively worn, or missing parts.
- Do not use the jack unless it is properly lubricated.
- Using a jack that is not in good clean working condition or properly lubricated may cause serious injury.
- Inspect the work area before each use. Make sure it is free and clear of any potential hazards.

## SAFETY MARKINGS

### WARNING!

1. Study, understand, and follow all instructions before operating this device.
2. Ensure the jack is lubricated and in good working order before each use.
3. Do not exceed rated capacity. This is a lifting and pulling device only. Do not use to support load.
4. Ensure the work area is flat and sufficient to hold the load. Shifting of the load or work area can cause the jack to lose stability and shift or fall suddenly.
5. Use chocks or a blocking device on load before using jack.
6. Lift only on areas of a vehicle as specified by the vehicle manufacturer.
7. Only use adaptors and chains supplied by the manufacturer.
8. Ensure all chains or adaptors used have a rated load greater than that of the jack.
9. Keep head and hands clear of the range of movement of the jack handle. Unexpected shifting of the load or loss of grip on the handle could cause it to snap back.
10. Always keep handle against the standard bar when changing the reversing latch. This could cause sudden movement of the handle.
11. Do not use this jack for any use other than the manufacturer specified usage.
12. Failure to heed these markings may result in personal injury and/or property damage.

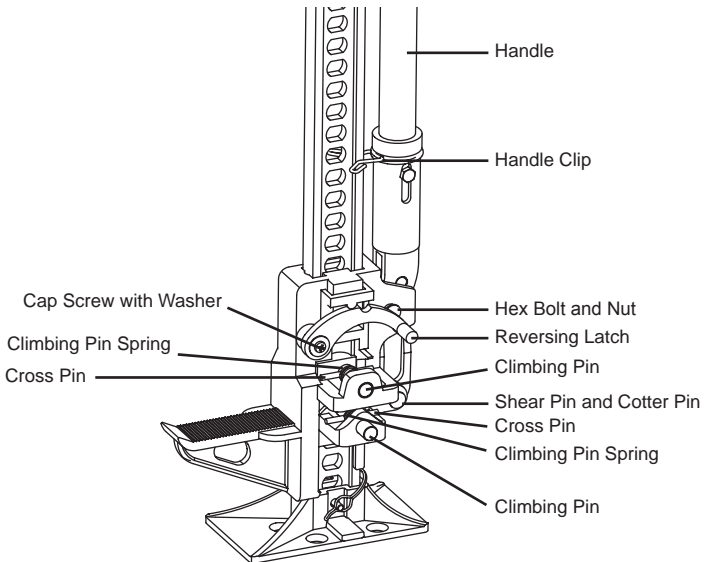
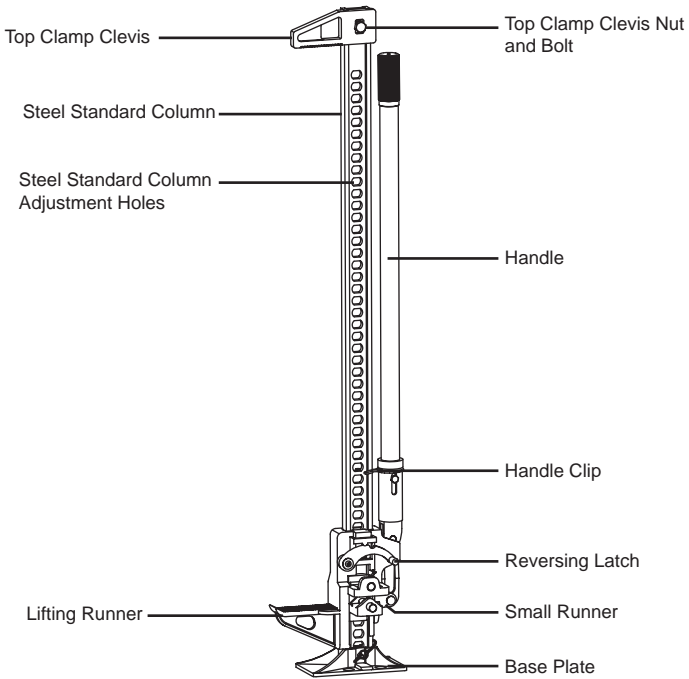
### GENERAL SAFETY INSTRUCTIONS

#### WARNING!

- Always inspect the jack before using, replace if damaged or malfunctioning.
- Do not remove any of the labels from the jack.
- Always ensure the jack is used on a hard flat and level surface
- Never lift any load over the rated capacity.
- Always center jack under load.
- Never allow load to tilt on the jack as the jack may kick out causing injury to the operator and/or cause the load to fall.
- When using more than one jack to lift a load, each jack must have the same lifting capacity of the entire load being lifted.
- Never force the Lifting Runners past the safety stop, as the Runner may come out of the jack and could result in personal injury and property damage.
- Always keep the Steel Standard Column lubricated for ease of operation and to prevent against rust.

# ASSEMBLY

## NO ASSEMBLY REQUIRED



## OPERATION

**⚠ WARNING!** Additional - Mechanical Jack Operating Practices  
**The rated load of the mechanical jack shall not be exceeded.**

**⚠ WARNING!**

- Do not use this jack on curved or tubular vehicle bumpers. The vehicle could slip off the jack and fall, causing serious injury or death. Do not raise inflated tire more than 2" above the ground. Never attempt to lift more than one wheel at a time.
- The working load of each chain or tow strap must be greater than the strength of the jack. If a chain or tow strap breaks while winching, the load could shift or the chain or tow strap could snap back. When used as a winch, the top clamp will support up to 3307 lbs. (1500 kg). If you go over this limit, the top clamp could bend or break, causing the load to shift or the chain or tow strap to snap back. If that occurs, it could result in damage or injury.
- The maximum clamping force is 750 lbs. (340 kg). If you exceed this limit, the top clamp could bend or break, resulting in injury or damage.

**⚠ DANGER:** Do not use the jack to support a load. Securely chock and block (stabilize) the load to be lifted. Never get under a raised load without properly chocking and supporting the load. If a raised load falls it can cause serious injury or death. Always place the handle against the steel standard (bar) before moving the reversing latch. This will prevent the handle from moving up and down rapidly, which could cause serious injury or death if it comes into contact with any part of your body. Always keep your head out of the travel path of the handle.

- **THIS JACK WILL NOT STABILIZE THE LOAD.** You must chock and block (stabilize) the load to prevent it from moving or falling. If a raised load falls, it can cause serious injury or death. Lowering the load can be dangerous. Keep your head clear of the path of the handle. During lowering, the weight of the load pushes up against the jack's handle. If your hands slip off the handle, or if the handle is horizontal when you move the reversing latch, it may move up very quickly. If your head is in the handle's travel path, it could strike you, causing serious injury or death.
- Do not use the jack to support a load. Securely chock and block (stabilize) the load to be lifted. Never get under a raised load without properly chocking and supporting the load. If a raised load falls it can cause serious injury or death.



- Never work under raised equipment unless additional supports are used under the lifted equipment.

### CHOCK AND BLOCK (STABILIZE)

A chock is a wedge for steadying a body and holding it motionless, or for preventing the movement of a wheel. When you block a load, you secure and support a load that is being lifted. The block(s) or stabilizer(s) should have a weight capacity that is greater than the weight of the load which is being lifted.

## **JACKING PRACTICES**

- a. All mechanical jacks shall be used according to the manufacturer's recommendations.
- b. A plan should be developed and communicated to affected personnel before the jacking operation begins. The plan should include load-handling procedures and communication methods.
- c. Off-center loading of the primary load point should be avoided.
- d. When jacking, ensure that the load avoids contact with any obstructions.
- e. When jacking, ensure that the primary or auxiliary load point is properly positioned under the load to avoid tip or edge.
- f. When jacking one side or end of a load, ensure the opposing side or end is-stabilized with sufficient blocking.
- g. The jack handle, primary and auxiliary load points, and the jack base should be free of slippery material or fluids.
- h. When jacking, a load should be raised or lowered in a limited range. Avoid jacking the side or end of the load on more than a 3% grade.
- i. When lifting one side of an object with a high center of gravity, personnel should be on the side of the load that is being lifted.
- j. A load shall not be left unattended while supported by jack. Jack Stands should be used to support unattended loads.
- k. The load weight and center of gravity shall be determined prior to selecting and placing jacks and blocking.
- l. Before jacking a load, consideration shall be given to fluids or other shifting materials that can change the location of the center of gravity.
- m. The base of the jack should be supported by a hard level surface (such as farm jack jacking pads, concrete, steel, or wood blocking) capable of supporting the load.
- n. The force of the jack's load point should be placed or distributed to prevent damage to the load.
- o. A jack handle of the size and length specified by the manufacturer shall be used. Never use a over length jack handle, extender, or "cheater pipe" over the handle.
- p. Ensure there is adequate range of motion for the jack handle to completely engage the operating linkage of the jack.

## **COMMUNICATION**

- a. Communication between personnel involved in the lift operation shall be maintained continuously during all jack movement. If at any time communication is disrupted, the jack operator(s) shall stop all movements until communication is restored.
- b. Signals to the jack operator should be in accordance with the ASME B30.1. If special signals are required, they shall be agreed upon by the load-handling personnel prior to jacking operations. Signals shall be discernible or audible at all times. No action shall be taken unless signals are clearly understood.
- c. Jack operators shall obey any stop signal.

## **SYNCHRONIZED LIFTS (DO NOT SYNCHRONIZE LIFT VEHICLES)**

- (a) When using jacks to lift the entire load in a synchronized lift, uneven raising and lowering can cause cross loading, instability, and overloading.
- (b) Some loads may require multiple lifting points and complex lifting procedures. A qualified person shall analyze the operation and instruct all personnel involved in the proper selection and positioning of the jacks and the movements to be made.
- (c) When using multiple ratchet jacks simultaneously, ensure they are identical type (manufacturer, make, model, and capacity), or lifting rate to ensure they are evenly loaded during jacking.
- (d) Unsynchronized lowering can cause an overload to a jack and may result in kickback of the jack handle or instability of the load.

**Blocking**

- (a) While jacking, blocking should follow the load up or down to serve as an arresting device if the load falls.
- (b) Wedges or shims should be used as necessary to ensure the load is completely supported at its blocking points.
- (c) Blocking shall be of sufficient thickness, width, and length to prevent shifting, toppling, or excessive settlement of the load.
- (d) Blocking shall be of sufficient strength to prevent crushing, bending failure or shear failure, and to adequately transmit the load's weight to the supporting surface.

**Horizontal jacking**

- a. Applications may arise where jacks are used in a position other than vertical. These applications, referred to as horizontal jacking, require special attention.
- b. Horizontal jacking shall comply with the requirements of, Operating Practices, as applicable
- c. A plan shall be developed and communicated to affected personnel before horizontal jacking operations begin. The plan shall consider but not be limited to the following:
  - 1. *Load weight*
  - 2. *Effects of friction*
  - 3. *Angle from horizontal plane*
  - 4. *Load stability and control*
  - 5. *Obstructions*
  - 6. *Jack base support*
  - 7. *Jack support*
  - 8. *Load contact point*
  - 9. *Handle clearance*
  - 10. *Center of gravity of the load*
  - 11. *Personnel safety*
- a. When jacking horizontally, the base of the jack should be perpendicular to the direction of load movement.
- b. If multiple jacks are used, maintain parallel lines of force to prevent side loading of the jacks.

**Note:**

- (a) No alterations, or modifications shall be made to this product.
- (b) All replacement parts including pins, bolts, caps, and keepers shall meet or exceed the original equipment manufacturer's specifications.

**⚠ Cautions to Personnel**

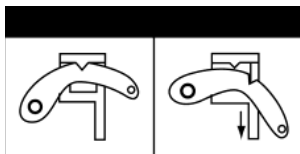
- a. Personnel shall not place any part of their body between the jack and the load during lifting and lowering of the load.
- b. Personnel shall not place any part of their body under a load supported by a jack.
- c. Personnel should not place any part of their body under blocking that is positioned to support the load, when the load is supported by a jack.
- d. Personnel shall not straddle the handle of the jack.
- e. Personnel should ensure there is sufficient swing area to avoid pinch points while using the jack handle.
- f. Personnel should not be on a load supported by jacks.
- g. The jack operator should have firm footing and handle control while operating the jack.
- h. Unsynchronized operation of multiple ratchet jacks may produce increased or uncontrollable handle force.
- i. Personnel should avoid placing their head in the swing arc of the handle. Ratchet jack handles may produce sudden kickback while lifting or lowering the load.
- j. Ensure the handle load has been transferred to the jack before releasing the handle.



## OPERATING INSTRUCTIONS

### TO RAISE A LOAD

1. Place the jack on a hard and level surface beneath the load that is to be lifted.
2. Following all safety precautions, place the foot of the jack beneath the load. Lift the reversing latch (20) to the "UP" position and ensure it is locked in place. With the indentation in the latch firmly engaged in the notch on the reversing switch (18) (see figure 1), jack up the nose until it comes into contact with the load at the desired point of lift. Make sure a pause on this stage and check to ensure there are no obstacles for a clean lift.




***REVERSING LATCH***

UP

DOWN

3. Pull down firmly and evenly on the handle and observe the load when rising. As the handle is pulled down, you will hear the Climbing Pin (15) click into place as it locates in a hole in the steel bar (3). At this point, relax the handle allowing the pin (15) to take the load. Raise the handle to the top of its stroke to take a fresh purchase and pump the handle once again.

### RAISING A VEHICLE



**THIS IS A LIFTING DEVICE ONLY!**

- This jack is designed only for lifting part of the total vehicle.
- Do not move or dolly the vehicle while on the jack.
- The vehicle must be supported after lifting immediately by appropriately rated jack stands.
- NEVER go under a vehicle that is not supported with appropriately rated jacks stands.
- Use wheel chocks or other blocking device on opposing wheels before using jack stands.

Never work under raised equipment unless additional supports are used under the lifted equipment.

1. Securely chock and block (stabilize) the load you are going to lift. This will prevent it from rolling or shifting as you lift it.

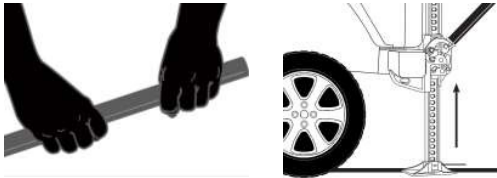


2. Keep the handle against the steel standard (column) when not lifting or lowering.



**▲ DANGER:** Always place the handle against the steel standard (bar) before moving the reversing latch. This will prevent the handle from moving up and down rapidly, which could cause serious injury or death if it comes into contact with any part of your body. Always keep your head out of the travel path of the handle.

3. Place the jack's base plate securely on a firm, level, and dry surface with the steel standard (column) pointing vertical.
4. Lift the reversing latch until it locks in the "UP" position.
5. Grasp the handle or the handle socket and raise the lifting mechanism until the nose is completely and securely under the load.
6. Grasp the handle firmly with both hands. Carefully pump the handle up and down to raise the load. Do not use an extension on the handle.



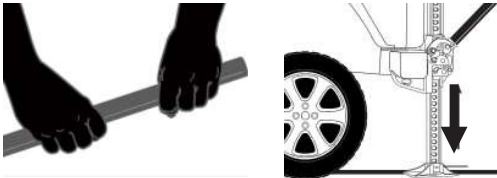
- The load will be raised on each DOWN stroke of the handle.
  - Watch the load and the jack carefully. Stop jacking if either one starts to move. Do not continue raising the load unless it is safe to do so. When safe, stabilize and block the load.
7. When the load is raised to the desired height, place the handle in the upright position against the steel standard (column).
  8. Block the load securely with jack stands.
  9. Lower the load onto the jack stands.

**Important!**

1. Do not use extensions on the handle.
2. Always keep a firm hold on the handle.

**TO LOWER A LOAD**

1. The jack must have a load on it (110 pounds or more) to lower step-by-step. Otherwise, the lifting mechanism will slide down to the base plate, "dropping" your load.
2. Before you move the reversing latch down, keep the handle in the upright position against the steel standard (column).
3. Move the reversing latch to the DOWN position.
- Taking all necessary precautions, with the load on the jack and ensuring the handle is in the full upright position, trip the reversing latch (17) so that it's in the "DOWN" position (i.e. the indentation on the latch) becomes disengaged from the notch on the reversing switch.
4. Grasp the handle firmly with both hands. Carefully pump the handle up and down to begin lowering the load.



5. The load will be lowered on each UP stroke of the handle.

**Important!** The jack must be loaded with a minimum of 110lbs to lower step by step, otherwise the lifting nose (large runner) will drop.



**⚠ DANGER:** Lowering the load can be dangerous. Keep your head clear of the path of the handle. During lowering, the weight of the load pushes UP against the Jack's handle. If your hands slip off the handle, or if the handle is horizontal when you move the reversing latch, it may move up very quickly. If your head is in the handle's travel path, it could strike you, causing serious injury or death.

## **WINCHING OR CLAMPING WITH THE JACK**

You may use this jack as a winch or clamp. See the pictures on this page and follow these instructions.

### **For Winching:**

Make sure the top clamp is in line with the bar. Install one end of chain or tow strap securely to the object to be winched, and securely attach the other end of the chain or tow strap to the top clamp of the jack. Use a shackle if the chain or tow straps will not fit through the Top Clamp of the jack. Take another chain or tow strap and secure one end to a fixed, stable object, and the other end around the lifting nose on the jack (do not attach chain or shackle to bottom hole of the lifting nose). If the fixed object is a tree, follow Tread Lightly principles and use a tree strap. Operate the jack as you would for raising or lowering a load.

**⚠ DANGER:** The working load of each chain or tow strap must be greater than the strength of the jack. If a chain or tow strap breaks while winching, the load could shift or the chain or tow strap could snap back. When used as a winch, the top clamp will support up to 3307 lbs. If you go over this limit, the top clamp could bend or break, causing the load to shift or the chain or tow strap to snap back. If that occurs, it could result in damage or injury.

### **For Clamping:**

Loosen the top clamp bolt. Turn the top clamp 90° to the steel bar, and retighten the bolt. You can connect the top clamp anywhere along the steel standard (bar) to use the jack as a clamp. Operate the jack as you would for raising a load.

**⚠ DANGER:** The maximum clamping force is 750 lbs. If you exceed this limit, the top clamp could bend or break, resulting in injury or damage.

## MAINTENANCE

- **Maintain your jack.** It is recommended that the general condition of any jack be examined before it is used. Keep your jack in good repair by adopting a program of conscientious repair and maintenance. Have necessary repairs made by qualified service personnel.
  - Follow the maintenance instructions carefully to keep your equipment in good working condition. Never perform any maintenance on the equipment while it is under a load.
- a. All moving parts of the jack should be regularly cleaned.
  - b. Lubricate parts as required by the manufacturer's specifications. The type of lubricant should be as specified by the manufacturer or a qualified person. Lubrication systems should be checked to verify proper operation.
  - c. If additional maintenance is required, it should be completed in accordance with the instructions of the manufacturer or qualified person.

### Inspection

You should inspect the product for damage, wear, broken or missing parts (e.g.: pins) and that all components function before each use. Follow lubrication and storage instructions for optimum product performance. Check the climbing pins to make sure that they are not worn or damaged.

Check the steel standard (bar) to make sure that it is straight and that nothing is blocking the holes.

Do not use the jack unless it is in good, clean working condition and properly lubricated.

### Binding

If the product binds while under a load, use equipment with equal or a larger load capacity to lower the load safely to the ground. After un-binding; clean, lubricate and test that equipment is working properly. Rusty components, dirt, or worn parts can be causes of binding. Clean and lubricate the equipment as indicated in the lubrication section. Test the equipment by lifting without a load. If the binding continues, contact Customer Service.

### If your jack binds

As your jack becomes older, the climbing pins may start binding in the holes of the steel standard (bar). This will prevent the jack from operating properly and safely. Rusty climbing pins, dirt, or a worn bar can cause binding. Clean and lubricate the lifting mechanism. Test the jack by jacking it up without a load. If the binding continues, refer to the after sale parts and service. If your jack binds while under a load, use a jack with equal or larger load capacity to lower the load safely to the ground. Repeat the steps in this paragraph to the binding jack.

### Cleaning

If the moving parts of the equipment are obstructed, use cleaning solvent or another good degreaser to clean the equipment. Remove any existing rust, with a penetrating lubricant.

### Lubrication

If the moving parts of the jack or the steel standard) bar) are clogged, use air pressure, water pressure, or a stiff brush to clean. Use a non-flammable cleaning solvent or another good degreaser to clean the jack. Remove any existing rust, preferably with a penetrating lubricant. Then lubricate the jack using white lithium grease, light penetrating oil, or a silicon or Teflon spray at the following points:

Use a good lubricant on all moving parts.

For light duty use, lubrication is needed once a month.

For heavy and constant use, lubrication is recommended every week.

### Steel Bar:

Keep the front and back edges of the steel standard (column) lightly lubricated and free from dirt and rust.

### Pitman Pin:

Keep the pitman pin lubricated or it will damage the handle socket and pitman.

### Shear Pin:

Keep the shear bolt clean and lubricated to keep it from wearing out.

### Climbing Pins and springs:

Keep both climbing pins and springs lubricated and free from dirt and rust.

### Do not use motor oil or grease to lubricate the jack

### Rust Prevention:

Check daily for any signs of rust or corrosion.

Without a load lift the equipment as high as it goes and look under and behind the lifting points. If signs of rust are visible clean as needed.

**⚠ WARNING:** Jack is not self-lubricating. It will not operate safely without proper lubrication.

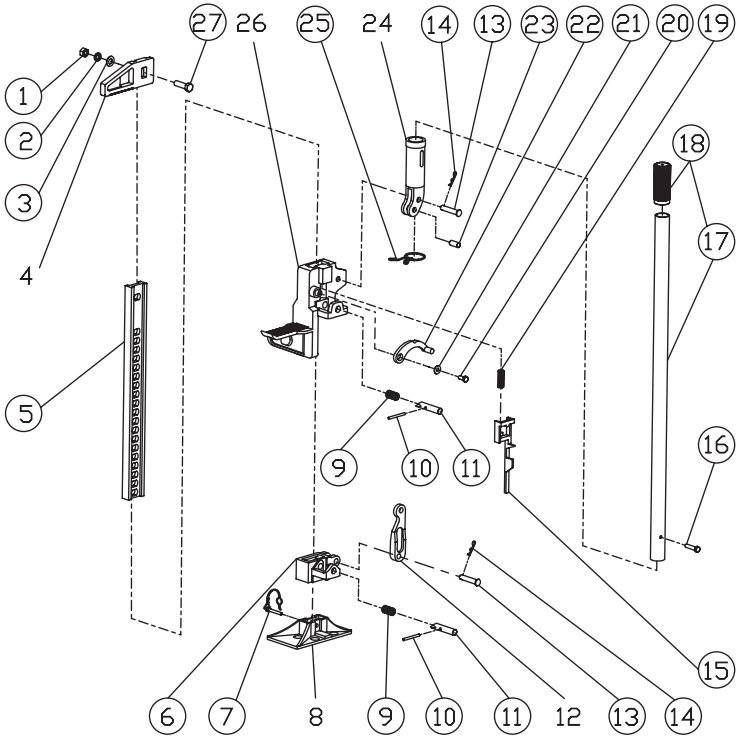
### **Storing the Jack**

1. Place the handle in the upright position against the steel standard (column).
2. Raise the reversing latch until it locks in the UP position.
3. Store the jack in a upright position in a dry location, preferably indoors. If the jack is stored outdoors, or is stored in a Loc-Rac or 4x4 RAC use a jack protector.
4. Store in a dry location, recommended indoors.
5. Mechanical jacks should be stored in an area where they will not be subjected to damage.
6. If extreme temperatures or chemically active or abrasive environments are involved, the guidance provided in shall be followed.
7. Temperature - When mechanical jacks are to be used at temperatures above 140°F (60°C) or below -20°F (-29°C), the jack manufacturer or a qualified person should be consulted.
8. Chemically Active Environments -The strength and operation of mechanical jacks can be affected by chemically active environments such as caustic or acid substances or fumes. The jack manufacturer or a qualified person should be consulted before mechanical jacks are used in chemically active environments.
9. Other Environments - The internal workings of jacks can be affected by high moisture, gravel or sand, silt, grit, or other dust-laden air. Jacks subject to these environments should have their inner components frequently cleaned, inspected, and lubricated.

**Note: If the jack is stored outdoors, be sure to lubricate all parts before and after use to ensure the jack stays in good working condition.**

# ASSEMBLY DIAGRAM

TRA8205B

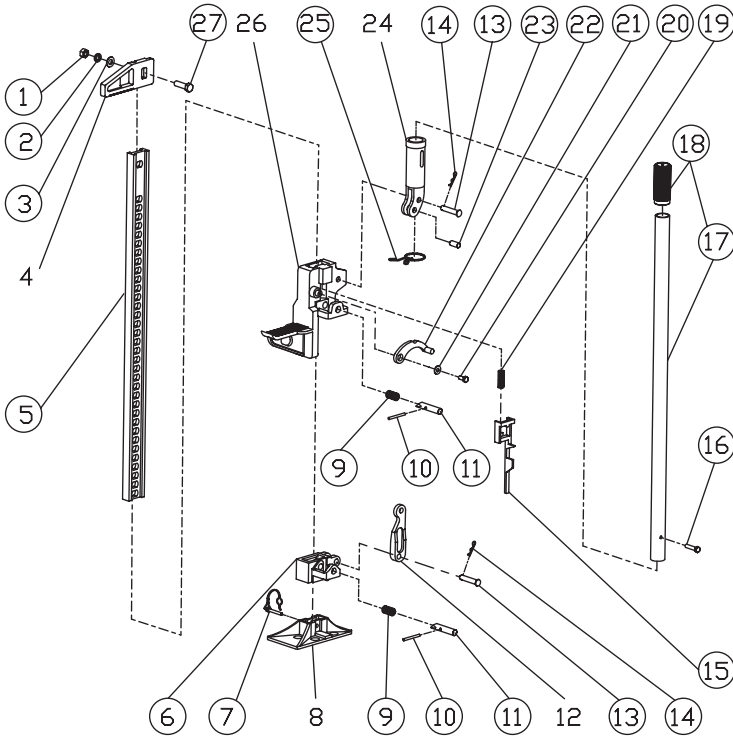


REF#	PART#	DESCRIPTION	QTY
1	GB6170-M12	Nut M12	1
2	GB93-12	Spring washer M12	1
3	GB97.1-12	Washer M12	1
4		Top clamp clevis	1
5	TRA8205B-1	Steel standard column	1
6	TRA8205B-2	Small runner	1
7	TRA8205B-3	Locking pin with wire retainer	1
8		Base plate	1
9	TRA8205B-4	Climping pin spring Ø16x30mm	2
10	TRA8205B-5	Cross pin Ø5x52mm	2
11	TRA8205B-6	Climbing pin	2
12		Pitman arm	1
13	TRA8205B-7	Pitman pin	2
14	TRA8205B-8	Cotter pin	2

REF#	PART#	DESCRIPTION	QTY
15	TRA8205B-9	Reversing switch column	1
16	GB6170-M8x40	Hex head screw M8x40mm	1
17	TRA8205B.1-1	Handle	1
18	TRA8205B.1-2	Handle grip	1
19	TRA8205B-10	Spring for reversing lever Ø13x60mm	1
20	GB6170-M8x16	Hex head cap screw M8x16mm	1
21	GB97.1-8	Washer M8	1
22	TRA8205B-11	Reversing latch	1
23	TRA8205B-12	Shear pin Ø12x22mm	1
24		Handle socket	1
25	TRA8205B-13	Handle clip	1
26		Lifting runner	1
27	GB6170-M12x50	Hex head screw M12x50mm	1

# ASSEMBLY DIAGRAM

TRA8335B

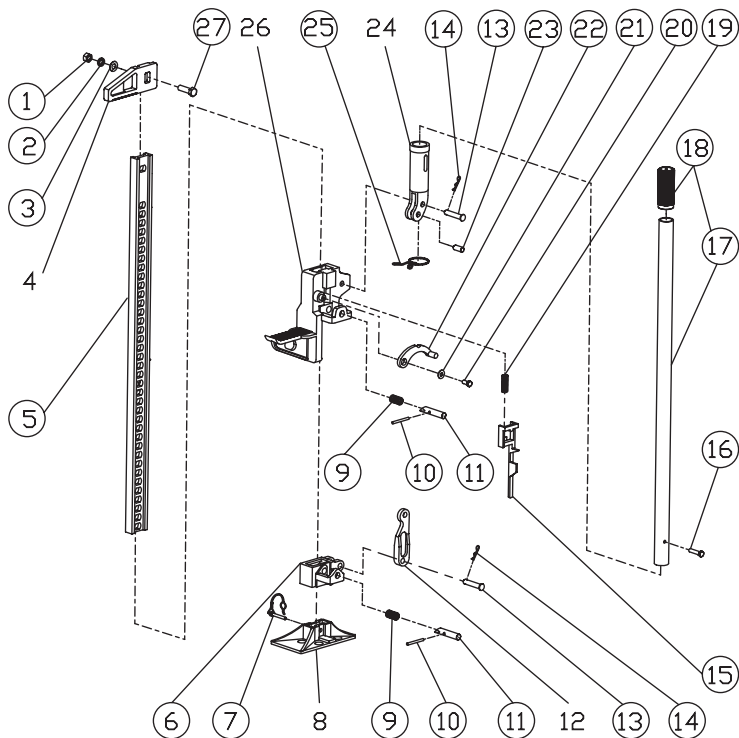


REF#	PART#	DESCRIPTION	QTY
1	GB6170-M12	Nut M12	1
2	GB93-12	Spring washer M12	1
3	GB97.1-12	Washer M12	1
4		Top clamp clevis	1
5	TRA8335B-1	Steel standard column	1
6	TRA8335B-2	Small runner	1
7	TRA8335B-3	Locking pin with wire retainer	1
8		Base plate	1
9	TRA8335B-4	Climping pin spring Ø16x30mm	2
10	TRA8335B-5	Cross pin Ø5x52mm	2
11	TRA8335B-6	Climbing pin	2
12		Pitman arm	1
13	TRA8335B-7	Pitman pin	2
14	TRA8335B-8	Cotter pin	2

REF#	PART#	DESCRIPTION	QTY
15	TRA8335B-9	Reversing switch column	1
16	GB6170-M8x40	Hex head screw M8x40mm	1
17	TRA8335B.1-1	Handle	1
18	TRA8335B.1-2	Handle grip	1
19	TRA8335B-10	Spring for reversing lever Ø13x60mm	1
20	GB6170-M8x16	Hex head cap screw M8x16mm	1
21	GB97.1-8	Washer M8	1
22	TRA8335B-11	Reversing latch	1
23	TRA8335B-12	Shear pin Ø12x22mm	1
24		Handle socket	1
25	TRA8335B-13	Handle clip	1
26		Lifting runner	1
27	GB6170-M12x50	Hex head screw M12x50mm	1

# ASSEMBLY DIAGRAM

TRA8365B



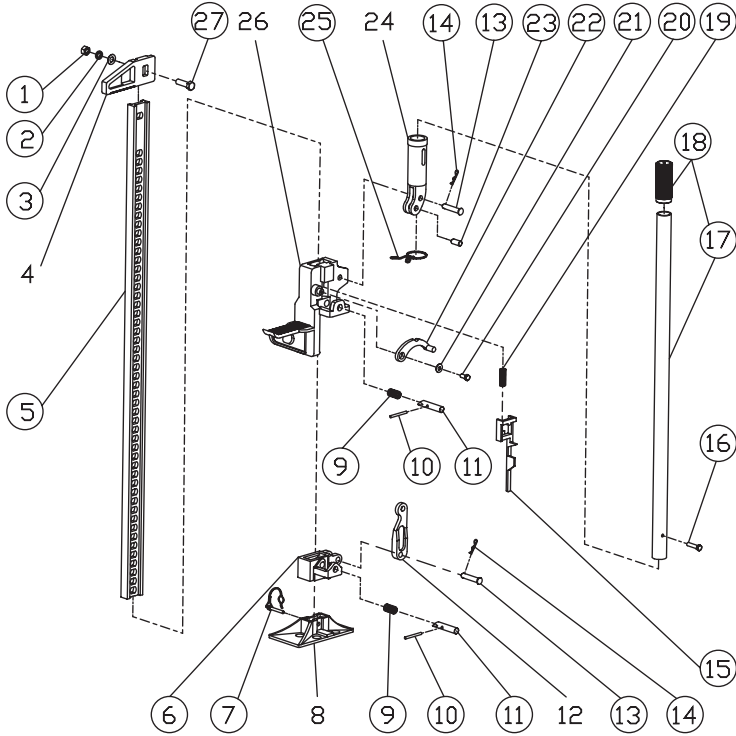
REF#	PART#	DESCRIPTION	QTY
1	GB6170-M12	Nut M12	1
2	GB93-12	Spring washer M12	1
3	GB97.1-12	Washer M12	1
4		Top clamp clevis	1
5	TRA8365B-1	Steel standard column	1
6	TRA8365B-2	Small runner	1
7	TRA8365B-3	Locking pin with wire retainer	1
8		Base plate	1
9	TRA8365B-4	Climping pin spring Ø16x30mm	2
10	TRA8365B-5	Cross pin Ø5x52mm	2
11	TRA8365B-6	Climbing pin	2
12		Pitman arm	1
13	TRA8365B-7	Pitman pin	2
14	TRA8365B-8	Cotter pin	2

REF#	PART#	DESCRIPTION	QTY
15	TRA8365B-9	Reversing switch column	1
16	GB6170-M8x40	Hex head screw M8x40mm	1
17	TRA8365B.1-1	Handle	1
18	TRA8365B.1-2	Handle grip	1
19	TRA8365B-10	Spring for reversing lever Ø13x60mm	1
20	GB6170-M8x16	Hex head cap screw M8x16mm	1
21	GB97.1-8	Washer M8	1
22	TRA8365B-11	Reversing latch	1
23	TRA8365B-12	Shear pin Ø12x22mm	1
24		Handle socket	1
25	TRA8365B-13	Handle clip	1
26		Lifting runner	1
27	GB6170-M12x50	Hex head screw M12x50mm	1



# ASSEMBLY DIAGRAM

TR6501B  
(TRA8485B)

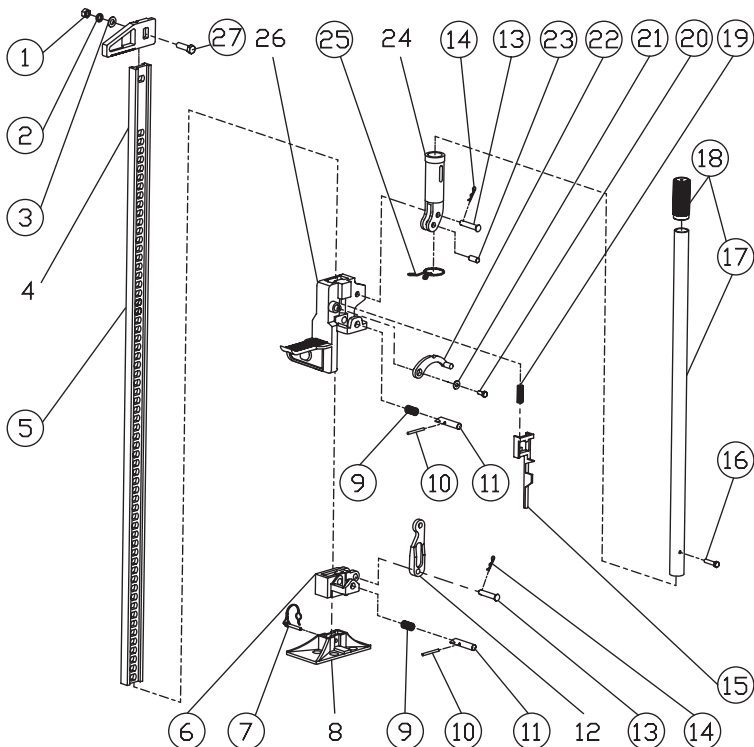


REF#	PART#	DESCRIPTION	QTY
1	GB6170-M12	Nut M12	1
2	GB93-12	Spring washer M12	1
3	GB97.1-12	Washer M12	1
4		Top clamp clevis	1
5	TRA8485B-1	Steel standard column	1
6	TRA8485B-2	Small runner	1
7	TRA8485B-3	Locking pin with wire retainer	1
8		Base plate	1
9	TRA8485B-4	Climping pin spring Ø16x30mm	2
10	TRA8485B-5	Cross pin Ø5x52mm	2
11	TRA8485B-6	Climbing pin	2
12		Pitman arm	1
13	TRA8485B-7	Pitman pin	2
14	TRA8485B-8	Cotter pin	2

REF#	PART#	DESCRIPTION	QTY
15	TRA8485B-9	Reversing switch column	1
16	GB6170-M8x40	Hex head screw M8x40mm	1
17	TRA8485B.1-1	Handle	1
18	TRA8485B.1-2	Handle grip	1
19	TRA8485B-10	Spring for reversing lever Ø13x60mm	1
20	GB6170-M8x16	Hex head cap screw M8x16mm	1
21	GB97.1-8	Washer M8	1
22	TRA8485B-11	Reversing latch	1
23	TRA8485B-12	Shear pin Ø12x22mm	1
24		Handle socker	1
25	TRA8485B-13	Handle clip	1
26		Lifting runner	1
27	GB6170-M12x50	Hex head screw M12x50mm	1

# ASSEMBLY DIAGRAM

TR6502B  
(TRA8605B)



REF#	PART#	DESCRIPTION	QTY
1	GB6170-M12	Nut M12	1
2	GB93-12	Spring washer M12	1
3	GB97.1-12	Washer M12	1
4		Top clamp clevis	1
5	TRA8605B-1	Steel standard column	1
6	TRA8605B-2	Small runner	1
7	TRA8605B-3	Locking pin with wire retainer	1
8		Base plate	1
9	TRA8605B-4	Climping pin spring Ø16x30mm	2
10	TRA8605B-5	Cross pin Ø5x52mm	2
11	TRA8605B-6	Climbing pin	2
12		Pitman arm	1
13	TRA8605B-7	Pitman pin	2
14	TRA8605B-8	Cotter pin	2

REF#	PART#	DESCRIPTION	QTY
15	TRA8605B-9	Reversing switch column	1
16	GB6170-M8x40	Hex head screw M8x40mm	1
17	TRA8605B.1-1	Handle	1
18	TRA8605B.1-2	Handle grip	1
19	TRA8605B-10	Spring for reversing lever Ø13x60mm	1
20	GB6170-M8x16	Hex head cap screw M8x16mm	1
21	GB97.1-8	Washer M8	1
22	TRA8605B-11	Reversing latch	1
23	TRA8605B-12	Shear pin Ø12x22mm	1
24		Handle socket	1
25	TRA8605B-13	Handle clip	1
26		Lifting runner	1
27	GB6170-M12x50	Hex head screw M12x50mm	1

## TORIN ONE YEAR LIMITED WARRANTY

Torin Inc.® has been producing quality automotive repair and maintenance products since 1968. All products sold are felt to be of the highest quality and are covered by the following warranty:

With proof of purchase for a period of one year from the date of that purchase, the manufacturer will repair or replace, at its discretion, without charge, any of its products or parts thereof which fail due to a defect in material or workmanship. This warranty does not cover damage or defects caused by improper use, careless use or abuse of the equipment. This warranty does not cover parts normally considered to wear out or be consumed in the normal operation of the equipment. Except where such limitations and exclusions are specifically prohibited by applicable law, (1) the CONSUMERS SOLE AND EXCLUSIVE REMEDY SHALL BE THE REPAIR OR REPLACEMENT OF DEFECTIVE PRODUCTS AS DESCRIBED ABOVE, and (2) THE MANUFACTURER SHALL NOT BE LIABLE FOR ANY CONSEQUENTIAL OR INCIDENTAL DAMAGE OR LOSS WHATSOEVER, and (3) THE DURATION OF ANY AND ALL EXPRESSED AND IMPLIED WARRANTIES, INCLUDING, WITHOUT LIMITATION, ANY WARRANTIES OF MERCHANTABILITY AND FITNESS FOR A PARTICULAR PURPOSE, IS LIMITED TO A PERIOD OF ONE YEAR FROM DATE OF PURCHASE. Product alteration in any manner by anyone other than us, with the sole exception of alterations made pursuant to product instructions and in a workman like manner. You acknowledge and agree that any use of the product for any purpose other than the specified use(s) stated in the product instructions is at Your own risk.

Always check for damaged or worn out parts before using any product. Broken parts will affect the equipment operation. Replace or repair damaged or worn parts immediately. Do not modify the product in any way. Unauthorized modification may impair the function and/or safety and could affect the life of the equipment. There are specific applications for which products are designed and tested during production. Manufacturer provided warranted items are not authorized to be repaired by anyone other than the manufacturer or manufacture approved repair person. Distributor does not have authorization to amend these statements. You acknowledge and agree that any modification of the product for any purpose other than manufacturer completed repairs is at your own risk. Before using this product, read the owner's manual completely and familiarize yourself thoroughly with the product and the hazards associated with its improper use.

**IMPORTANT: BEFORE FIRST USE** on any Lift verify that a daily inspection has been completed and that all components are in the proper working order.

This limited warranty gives you specific legal rights, and you also may have other rights, which vary from state to state. Some states do not allow limitations or exclusions on implied warranties or incidental or consequential damages, so the above limitations may not apply to You. This limited warranty is governed by the laws of the State of California, without regard to rules pertaining to conflicts of law. The state courts located in San Bernardino County, California shall have exclusive jurisdiction for any disputes relating to this warranty.

Manufacturer reserves the rights to make design changes and or improvements to this product lines and manual without notice. We at Torin have taken every effort to ensure complete and accurate instructions have been included in this manual. However, possible product updates, revisions and or changes may have occurred since this printing. Torin Inc. reserves the right to change specifications without incurring any obligation for equipment previously or subsequently sold.

Not all equipment components are available for replacement, but are illustrated as a convenient reference of location and position in the assembly sequence.