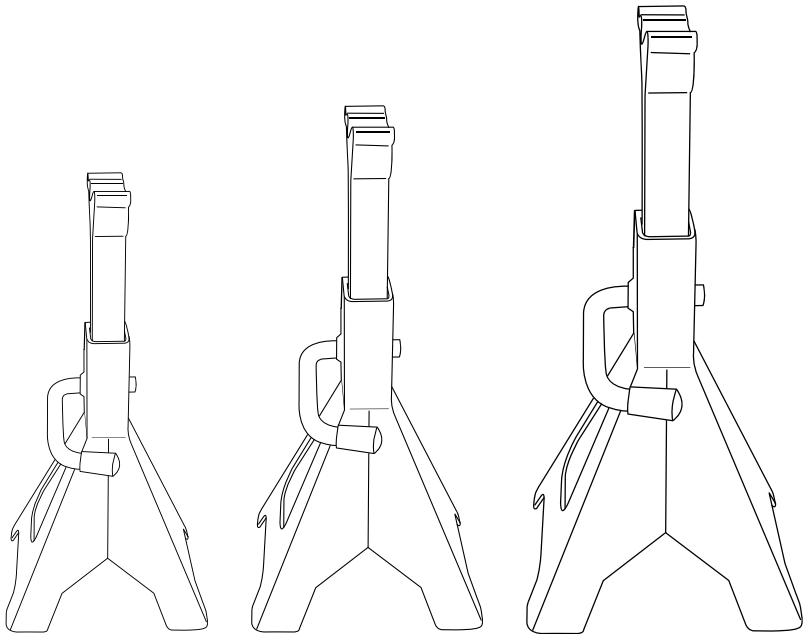




OWNER'S MANUAL

JACK STANDS

Item: T42002, T42002-1 T42002X, T43002, T43002-1, T43002X, T43006, T43006-1
T46002, T46002-1, T412002, T412002-1



▲ WARNING!

Read carefully and understand all ASSEMBLY AND OPERATION INSTRUCTIONS before operating. Failure to follow the safety rules and other basic safety precautions may result in serious personal injury.

IMPORTANT

Before You Begin Register This Product.

For future reference, record the model name, model number, date of manufacture and purchase date of this product. You can find this information on the product.

OWNER / USER RESPONSIBILITY

DO NOT OPERATE OR REPAIR THIS PRODUCT WITHOUT READING THIS MANUAL.

Read and follow the safety instructions. Keep Instructions readily available for operators. Make certain all operators are properly trained and understand how to safely and correctly operate the product. By proceeding you agree that you fully understand and comprehend the full contents of this manual. Failure to operate this product as intended may cause injury or death. The manufacturer is not responsible for any damages or injury caused by improper use or neglect. Allow product operation only with all parts in place and operating safely. Use only genuine replacement parts. Service and maintain the product only with authorized or approved replacement parts; negligence will make the product unsafe for use and will void the warranty. Carefully inspect the product on a regular basis and perform all maintenance as required. Store these instructions in a protected dry location. Keep all decals on the product clean and visible. Do not modify and/or use for any application other than that for which this product was designed. If you have any questions relative to a particular application, DO NOT use the product until you have first contacted the distributor or manufacturer to determine if it can or should be performed on the product.

INTENDED USE

Jack Stands are designed to support rated capacity, partial vehicle loads consisting of one end of a vehicle. Use both stands for each operation.

TECHNICAL SPECIFICATIONS

Item	Capacity	Lifting Range Min. (inch)	Lifting Range Max. (inch)	Lifting Range Min. (cm)	Lifting Range Max. (cm)
T42002 T42002-1	2 TON	10-13/16	16-9/16	27.5	42
T42002X	2 TON	9-13/16	14-15/16	25	38
T43002 T43002-1	3 TON	11-1/4	16-3/4	28.5	42.5
T43002X	3 TON	10-5/8	16-1/8	27	41
T43006 T43006-1	3 TON	14	20-1/2	35.5	52
T46002 T46002-1	6 TON	15-3/8	23-13/16	39	60.5
T412002 T412002-1	12 TON	18-5/16	28-1/8	46.5	71.5

GENERAL SAFETY RULES

- ⚠ WARNING: Read and understand all instructions.** Failure to follow all instructions listed below may result in serious injury.
- ⚠ CAUTION:** Do not allow persons to operate or assemble this jack until they have read this manual and have developed a thorough understanding of how the jack works.
- ⚠ WARNING: The warnings, cautions, and instructions discussed in this instruction manual cannot cover all possible conditions or situations that could occur.** It must be understood by the operator that common sense and caution are factors that cannot be built into this equipment, but must be supplied by the operator.

GENERAL SAFETY RULES IMPORTANT SAFETY CONSIDERATIONS

EQUIPMENT USE AND CARE

- Do not modify the jack stands in any way. Unauthorized modification may impair the function and/or safety and could affect the life of the equipment. There are specific applications for which the jack stands were designed.
- **Always check of damaged or worn out parts before using the jack stands.** Broken parts will affect the jack stands operation. Replace or repair damaged or worn parts immediately.
- Store idle jack stands. When jack stands are not in use, store them in a secure place out of the reach of children. Inspect it for good working condition prior to storage and before re-use.
- ⚠ WARNING! NEVER use automotive jack stands to support both ends, or one side of a vehicle!
WARNING! NEVER use on jack stands on a lawn mower or lawn tractor.
Use only 1 pair per vehicle. Rated capacity is per pair only!**

INSPECTION

- Inspect the equipment carefully before each use. Ensure the equipment is not damaged, excessively worn, or missing parts.
- Do not use if components are bent, broken or cracked.
- Using equipment that is not in good clean working condition may cause serious injury.
- Inspect the work area before each use. Make sure it is free and clear of any potential hazards.

DO NOT OPERATE OR REPAIR THIS EQUIPMENT WITHOUT READING THIS MANUAL.

To maintain the equipment and user safety, the responsibility of the owner is to read and follow these instructions.

- Inspect the equipment for proper operation and function.
- Keep instructions readily available for equipment operators.
- Make certain all equipment operators are properly trained; understand how to safely and correctly operate the unit.
- Allow unit operation only with all parts in place and operating properly.
- Use only genuine replacement parts.
- Service and maintain the unit only with authorized or approved replacement parts; negligence will make the equipment unsafe for use and void the warranty.
- Carefully inspect the unit on a regular basis and perform all maintenance as required.
- Store these instructions in the handle of your equipment.
- Keep all decals on the unit clean and visible.

SAFETY MARKINGS

⚠ WARNING!

1. Study, understand, and follow all instructions before operating this device.
2. Do not exceed rated capacity.
3. Use only on hard, level surfaces, with less than 3 degrees of slope.
4. Center load on saddle.
5. Use as a matched pair only.
6. Stands are not to be used to simultaneously support both ends of a vehicle.
7. No alterations shall be made to this product.
8. Support only on areas of the vehicle as specified by the vehicle manufacturer.
9. Only attachments and/or adapters supplied by the manufacturer shall be used.
10. Use wheel chocks or other blocking device on opposing wheels before using jack stands.
11. Do not use jack stands for any use other than the manufacturer specified usage.
12. Do not use if damaged in any way.
13. NEVER use jack stands on a lawn mower or lawn tractor.
14. Do not move or dolly the vehicle while on support stands.
15. Do not rock the vehicle while working on or around equipment.
16. The following are not recommended for supporting on this equipment: Foundations, Homes, Mobile Homes, Trailers, RV's, Campers, nor Fifth Wheels, etc...
17. Failure to heed these markings may result in personal injury and/or property damage.

⚠ WARNING!

DO NOT USE wood blocks or any other non-approved load sustaining devices or any other non-approved supporting devices for a means of raising or supporting a vehicle or load being raised. The manufacturer only warrants loads to be sustained by adapters or accessories validated by the manufacturer. Failure to heed these warnings may cause injury or death.

⚠ GENERAL SAFETY INSTRUCTIONS:

Training

Do not allow anyone who has not read this manual, and/or does not understand the requirements to use the product.

Spectators

Do not allow bystanders around or under the load supported. Do not allow anyone in a vehicle when raised or is supporting a load. Keep all bystanders away from lift when in use.

Operators

Not for use by children or people with reduced mental capacity.

NEVER use if incoherent or under the influence of medication, drugs or alcohol.

Inspection

Inspect the product carefully before each use. Ensure the product is not damaged, excessively worn, or missing parts. Do not use the lift unless it is properly lubricated. Using a lift that is not in good clean working condition or properly lubricated may cause serious injury.

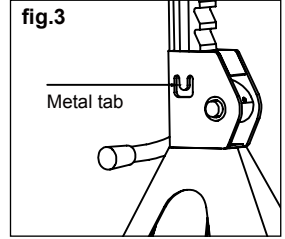
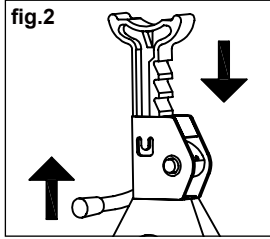
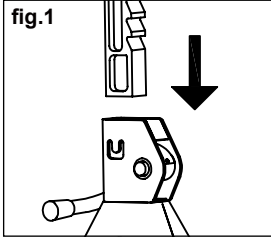
⚠ WARNING: Be sure all tools and personnel are clear before lowering load. Use only attachments and/or adapters supplied by the manufacturer. Support only on areas of the vehicle as specified by the vehicle manufacturer.

ASSEMBLY INSTRUCTIONS

In order to prevent removal of the post from the base use a hammer and flat end punch to hammer the jack's tab in toward to post but not touching the post. If the same stands are equipped with a bolt instead of the tab. In this case the bolt can be threaded in toward the post until the bolt bottoms out.

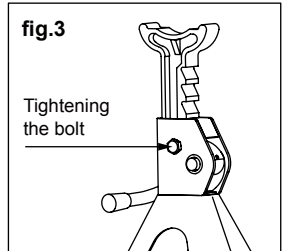
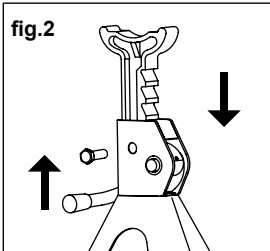
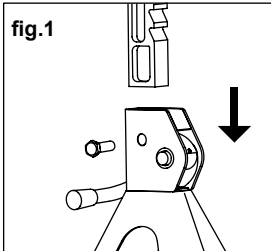
Item: T42002,T42002-1 T42002X, T43002, T43002-1,T43002X,T43006, T46002, T46002-1

1. Install ratchet bar into frame (fig.1) with ratchet portion of bar aligned with locking pawl (stopper).
2. Move the ratchet bar to its lowest position by raising the locking handle, thereby releasing the stopper, and guiding the bar downward (fig. 2).
3. Bend metal tab in (Fig. 3) using a hammer and punch. This will help prevent inadvertent separation of the ratchet bar from base frame.



Item: T412002,T412002-1

1. Install ratchet bar into frame (fig.1) with ratchet portion of bar aligned with locking pawl (stopper).
2. Move the ratchet bar to its lowest position by raising the locking handle, thereby releasing the stopper, and guiding the bar downward (fig. 2).
3. Tightening the bolt (Fig 3) using a wrench. This will help prevent inadvertent separation of the ratchet bar from base frame.



OPERATION INSTRUCTIONS

- If the operator is not fluent in English, the product and safety instructions shall be read to and discussed with the operator in the operator's native language by the purchaser/owner or his designee, making sure that the operator comprehends their contents.
 - Visual inspection shall be performed before each use of the stand by checking abnormal condition, such as cracked welds, leaks and damaged, loose, or missing parts if stand is believed to have been subjected to abnormal load or shock inspection shall be made by authorized repair facility.
 - Equipment that appears damage or worn or operates abnormally shall be removed from service.
1. Use on hard level surface with less than 3 degrees of slope.
 2. Raise Vehicle with suitable jack.
 3. Adjust height by pulling up on ratchet bar.
 4. The weight of the locking handle should secure the ratchet bar in desired position. To confirm this, simply push down on the locking handle. Check to ensure ratchet is secure before loading.
 5. Carefully position jack stands so that load is centered on stand's saddle.
 6. **Slowly** lower the vehicle onto the stands.
 7. Check to ensure vehicle is secure before working on, around or under. When used to support vehicle, use wheel chocks on all unlifted wheels in both directions to prevent inadvertent movement.
 8. DO NOT jack or dolly while jack stands are supporting the vehicle.

TO LOWER LOAD

1. Ensure that all tools, equipment and personnel are clear before lowering load.
2. With suitable jack, raise vehicle clear of stands.
3. Carefully release stopper and allow ratchet to glide down to lowest position.
4. Carefully remove stands, then carefully lower vehicle with lifting device.

MAINTENANCE INSTRUCTIONS

- **Maintain your equipment.** It is recommended that the general condition of any **equipment** be examined before it is used. Keep your **equipment** in good repair by adopting a program of conscientious repair and maintenance. Have necessary repairs made by qualified service personnel.
- Follow the maintenance instructions carefully to keep your equipment in good working condition. Never perform any maintenance on the equipment while it is under a load.
 - a. All moving parts of the equipment should be regularly cleaned.
 - b. Lubricate parts as required by the manufacturer's specifications. The type of lubricant should be as specified by the manufacturer or a qualified person. Lubrication systems should be checked to verify proper operation.
 - c. If additional maintenance is required, it should be completed in accordance with the instructions of the manufacturer or qualified person.

Inspection

You should inspect the equipment for damage, wear, broken or missing parts (e.g.: pins) and that all components function before each use. Follow lubrication and storage instructions for optimum product performance. Check the climbing pins to make sure that they are not worn or damaged. Check that everything is in good working condition and that nothing is blocking the holes. Do not use the equipment unless it is in good working condition.

Binding

If the equipment binds while under a load, use equipment with equal or a larger load capacity to lower the load safely to the ground. After un-binding; clean, lubricate and test that equipment is working properly. Rusty components, dirt, or worn parts can be causes of binding. Clean and lubricate the equipment as indicated in the lubrication section. Test the equipment by lifting without a load. If the binding continues, contact Customer Service.

IF YOUR EQUIPMENT BINDS

As your equipment becomes older, the threads may start binding. This will prevent the equipment from operating properly and safely. Rusty threads, dirty threads, or a worn threads can cause binding. Clean and lubricate the lifting mechanism. Test the equipment without a load. If the binding continues, refer to the after sale parts and service. If your equipment binds while under a load, use a equipment with equal or larger load capacity to lower the load safely to the ground. Repeat the steps in this paragraph to the binding equipment.

Cleaning

If the moving parts of the equipment are obstructed, use cleaning solvent or another good degreaser to clean the equipment. Remove any existing rust, with a penetrating lubricant.

Do not use motor oil or grease to lubricate the equipment

Rust Prevention:

-Check daily for any signs of rust or corrosion.

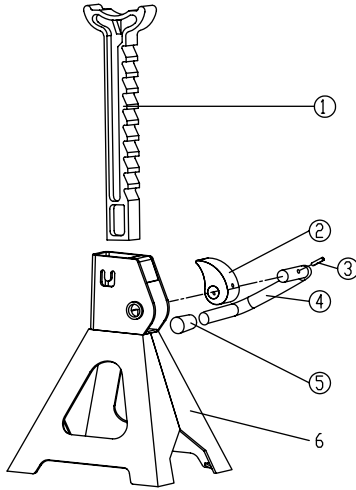
Without a load lift the equipment as high as it goes and look under and behind the lifting points. If signs of rust are visible clean as needed.

Storing the Equipment

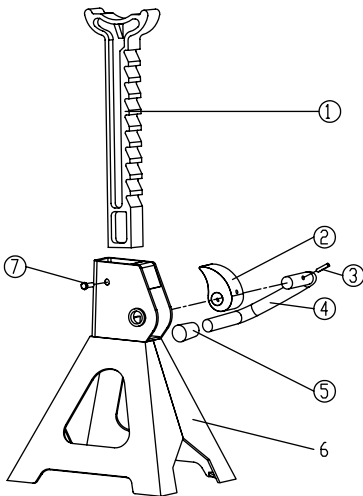
1. Store in a dry location, recommended indoors.
2. Equipment should be stored in an area where they will not be subjected to damage.
3. If extreme temperatures or chemically active or abrasive environments are involved, the guidance provided in shall be followed.
4. Temperature - When equipment is used at temperatures above 140°F (60°C) or below -20°F (-29°C), the equipment manufacturer or a qualified person should be consulted.
5. Chemically Active Environments -The strength and operation of equipment can be affected by chemically active environments such as caustic or acid substances or fumes. The equipment manufacturer or a qualified person should be consulted before equipment are used in chemically active environments.
6. Other Environments - The internal workings of equipment can be affected by high moisture, gravel or sand, silt, grit, or other dust-laden air. Equipment subject to these environments should have their inner components frequently cleaned, inspected, and lubricated.

Note: If the equipment is stored outdoors, be sure to lubricate all parts before and after use to ensure the equipment stays in good working condition.

ASSEMBLY DIAGRAM



Ref.	Part#				Description				Qty
	T42002 T42002-1	T43002 T43002-1	T43006 T43006-1	T46002 T46002-1	T42002 T42002-1	T43002 T43002-1	T43006 T43006-1	T46002 T46002-1	
1	T42002C-1	T43002C-1	T43006-1	T46002C-1	Ratchet bar				1
2	T42002-4	T43002-4	T43006-4	T46002-4	Locking pawl				1
3	GB879-4X25	GB879-4X30	GB879-4X30	GB879-4X30	Spring pin Ø4x25mm	Spring pin Ø4x30mm	Spring pin Ø4x30mm	Spring pin Ø4x30mm	1
4	T42002-7	T42002-7	T42002-7	T46002-7	Locking handle				1
5	T42002-6	T42002-6	T42002-6	T46002(CQ)-6	Handle sleeve				1
6					Base frame				1



Ref.	Part#		Description	Qty
	T412002 T412002-1	T412002 T412002-1		
1	T412002-1	T412002-1	Ratchet bar	1
2	T412002-4	T412002-4	Locking pawl	1
3	GB879-5X35	GB879-5X35	Spring pin Ø5x35mm	1
4	T412002-7	T412002-7	Locking handle	1
5	T412002-6	T412002-6	Handle sleeve	1
6			Base frame	1
7	GB5783	GB5783	Hex head bolt M8x16mm	1

Safe Operating Temperature is between 40°F – 105°F
(4°C - 41°C)