

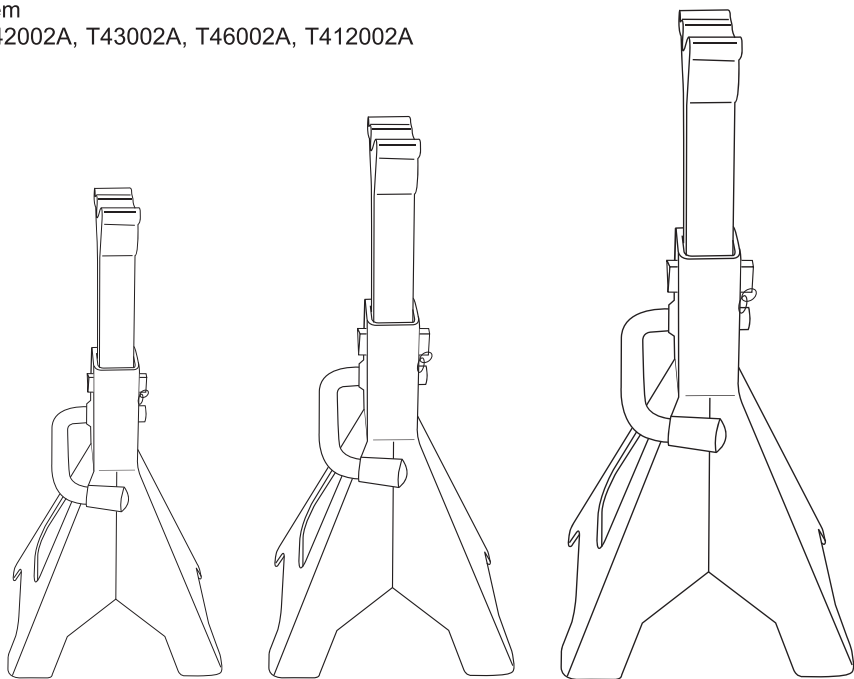


**Operator's Manual**

## **DOUBLE LOCKING JACK STANDS**

Item

T42002A, T43002A, T46002A, T412002A



**WARNING :** Before using this appliance, read this Operator's Manual and follow all its Safety Rules and Operating Instructions.

## SAFETY INSTRUCTIONS

### WARNING!

Read-Study, understand and follow all instructions prior to use, failure to heed this warning may result in personal injury and/or property damage. **DO NOT OVERLOAD BEYOND RATED CAPACITY.** Always use jack stands on level, solid ground. Never use on slope, inclined, angle or soft surface. Always use stands in pairs, on the same axle, and at the same height. Stands are not to be used to simultaneously support both ends or one side of vehicle. Failure to heed these warnings may result in damage to jack and/or failure resulting in personal injury or property damage. Inspect before each use. Support the vehicle only on areas specified by the vehicle manufacturer. Make sure the load and stand are stable before getting under the vehicle. Center load on saddle. Never use any other additional support. Some vehicles require an adapter to properly engage the frame for lifting. Use vehicle manufacturers instructions on proper lifting. No alterations shall be made to this product. Only attachments and/or adapters supplied by the manufacturer shall be used.

## WARRANTY

Torin Jacks, Inc. warrants its hydraulic jacks and tools for a period of one year against manufacturing and materials defects. Torin Jacks, Inc. will issue a one-for-one credit for all merchandise deemed defective due to manufacturing and or material defects. Torin Jacks, Inc. will not issue credit for customer abuse or misuse. Merchandise shall be deemed defective by letter from Torin Jacks, Inc. after inspection by Torin Jacks, Inc. or one of its representatives. Defective products shall be returned freight prepaid to Torin Jacks, Inc. by written authorization only. Some products may be authorized for field destruction, with return of handle assembly and saddle only.

## SPECIFICATION

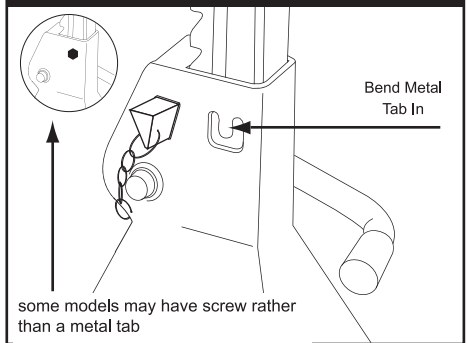
ITEM	CAPACITY	LIFTING RANGE
T42002A	2 TON	11-1/4 - 16-3/4 inches
T43002A	3 TON	11-1/4 - 16-3/4 inches
T46002A	6 TON	15-1/2 - 23-15/16 inches
T412002A	12 TON	18-5/16 - 28-1/8 inches

## OPERATION

- Be sure to insert the fixed pin into hole in the bottom of ratchet to prevent ratchet from detaching from the frame.
- Put the jack stands on hard level ground
- Adjust height by pulling up on ratchet.
- Place load on the center of saddle for safety it is strongly recommended that lifting means not be removed while jack stands are supporting the vehicle.
- Secure ratchet by turning stopper to hold load. Make sure stopper has been securely inserted. Insert double locking pin.
- Release stopper and remove double locking pin and let ratchet glide down to the lowest position when storing the jack stand.

- If the operator is not fluent in English, the product and safety instructions shall be read to and discussed with the operator in the operator's native language by the purchaser/owner or his designee, making sure that the operator comprehends their contents.
- Inspect before each use **DO NOT USE IF BENT BROKEN OR CRACKED COMPONENT ARE NOTED.** prevent corrosion. Clean as needed and wipe with an oily cloth and keep in dry area when not in use.

PICTURE 1



Visual inspection shall be performed before each use of the stand by checking abnormal condition, such as cracked welds, leaks and damaged, loose, or missing parts if stand is believed to have been subjected to abnormal load or shock inspection shall be made by authorized repair facility.

Equipment that appears damage or worn or operates abnormally shall be removed from service until repair. Repair should be made by authorized repair facility. Annual inspection of the stand is recommended and should be made by the manufacturer's or supplier's authorized repair facility to ensure that you stand is optimum conditions and that the stand has correct decals and safety labels specified by the manufacturer.

PICTURE 2

