

TONNO PRO

Thank you for your
Tonno Pro order!



Please Read Before Installing!

Your satisfaction is important to us, please let us help!

If you are having any problems with your Tonno Pro Tonneau Cover, please read the following steps to help us quickly respond to your requests.

Please take care in saving the box until after your installation is complete. If you have ordered incorrectly, having the original box and packaging materials will save you time and prevent possible return damages.

ORDERED INCORRECTLY - Please contact the store from which you purchased the cover and allow them to contact us to issue a Return Authorization number. The retailer will contact us immediately and we will respond promptly. Y

SHIPPING DAMAGE - Please inspect your cover carefully and do not install if you see any damage. Report the damage to the retailer where you purchased it from. They will contact us and we will take the necessary steps to send a new replacement cover.

BROKEN OR DAMAGE PART(S) - All parts are available for purchase on our website. Select the "PARTS" option in the menu bar at the top of the page. We have included images of all the different parts that are available for your cover. Your order will be shipped within 24 hours after your order is placed.

WARRANTY ISSUES - If you believe you have a warranty issue that may be considered a manufacturing defect, please follow these instructions. For warranty details please see page 4 of this instruction booklet.

- A. Make sure the product is registered on the Tonno Pro website.
- B. Contact the Tonno Pro retailer where you purchased the cover.
- C. Please have your serial number and digital images readily available to email to the Tonno Pro Retailer upon request. This will help expedite the warranty process.
- D. Please allow up to 72 business hours for further instructions on how the claim will be processed.

For easy reference please write the serial number in the boxes below. Serial numbers can be found on the driver's side front crossbeam.

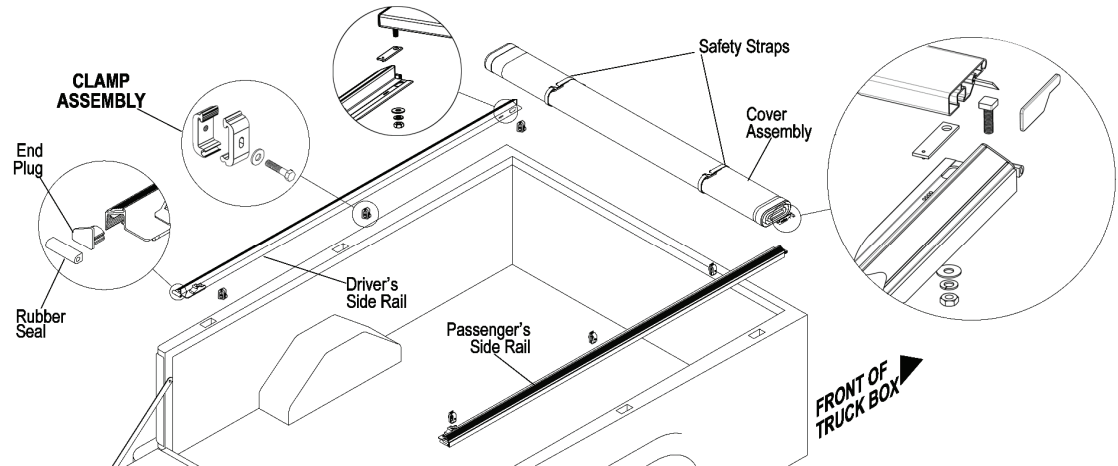
If you have:

- ▶ Plastic (composite) bed caps, remove the black rubber seal gasket before installation.
- ▶ Utility rails you will need to purchase an additional bracket for your cover to fit properly.

Write serial
number here.

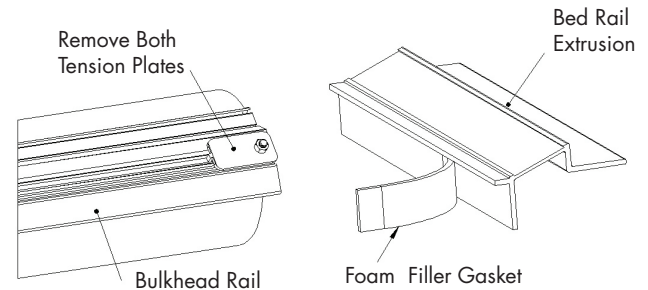
--	--	--	--	--	--	--	--

Complete Side Rail and Cover Installation

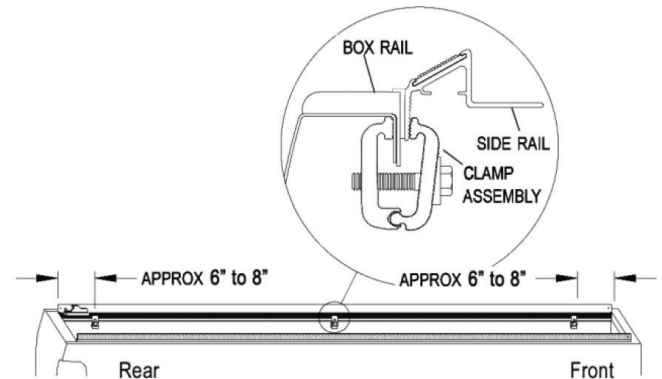


IMPORTANT - Please read BEFORE starting.

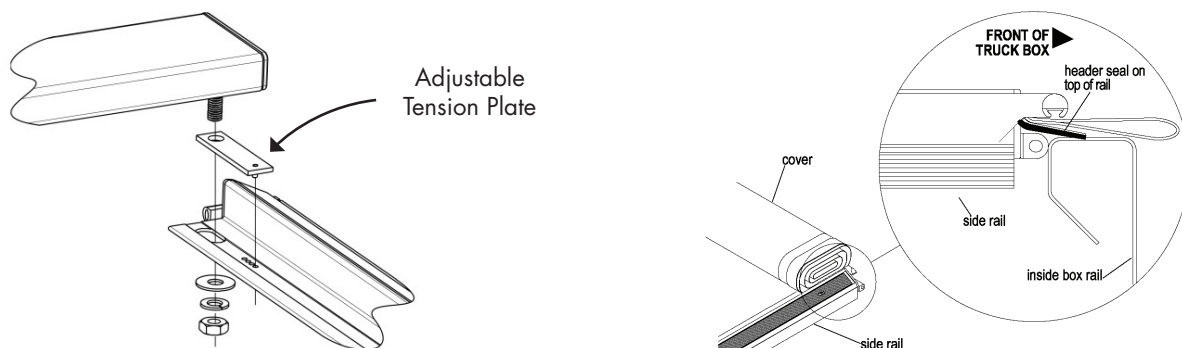
1. The adjustable tension plates are secured in the bulkhead rail of the vinyl cover. Remove the tension plates and lock nuts and keep for use in a later step of the installation.
2. If your truck is equipped with plastic bed caps, **remove** our factory foam filler gasket prior to installation of the aluminum bed rail extrusion.



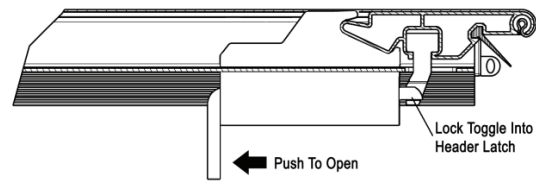
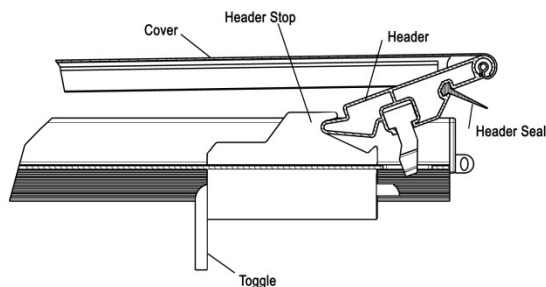
3. Place the front of the side rail and round gasket tight against the front of the truck box. Starting at the tailgate evenly space the 3 clamps along each side rail leaving approximately 6 to 8 inches on each end. To insure optimum performance and cover fit, the **side rails must be level**. To adjust the rails, loosen the screws and reposition the clamp higher or lower on the truck bed rail lip. **Make sure to tighten all clamps!**



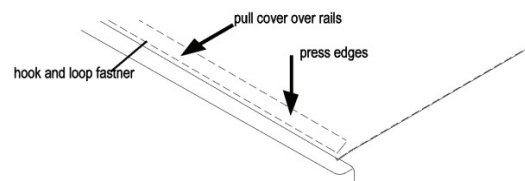
4. Place the tension control plate on the top of the side rail and place the pin in the first hole. This is the factory setting and will locate the T-Bolt in the front of the slotted hole in the side rail. Next, set the cover assembly behind the cab and feed the T-Bolt down through the tension plate and side rail. The header seal should be on the top of the bulkhead of the truck. **Use supplied flat, lock washer and nut and tighten front bulkhead assembly.**



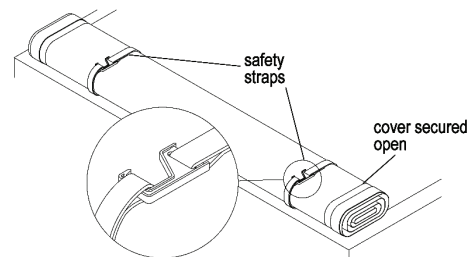
5. With your tailgate open, unroll cover toward tailgate and rest bows on side rails. Rotate the tailgate header into the plastic header stops and press down to engage the catch into the latching mechanism located on the underside of the passenger side rail in the rear. Finally, Secure the hook and loop fastener strips on the side rails by pulling out the slack and then pressing along the length of the rail.



6. Secure the hook and loop fastener strips on one side of the rail by pressing along the length of the rail. On the opposite side, pull the cover across the pickup bed and secure the Velcro fastener.



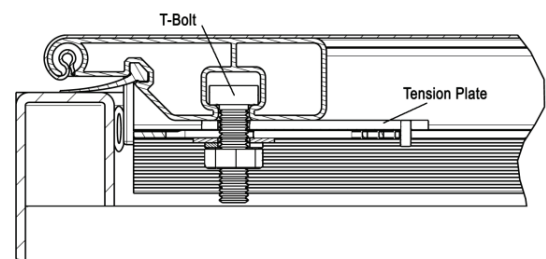
7. To release the cover, push the lever on the latch towards the cab of the truck to release the catch mechanism. Start to roll the cover toward the cab making sure both sides of cover roll evenly. Secure the cover open by hooking the safety straps to the front loops.



8. Your Tonno Pro Low Roll cover has been set at the factory for moderate tension to keep your cover free of wrinkles. Dependent on weather conditions it may be necessary for you to adjust the tension control on your cover. To adjust your tension control, simply loosen the fasteners on the front bulkhead and lift up the bulkhead. Once the bulkhead is loose, simply slide the tension control plate towards the cab of the truck.

Only move up one adjustment hole at a time and always make your adjustments during the warmest time of the day! Each hole location will give you 3/16" of tension adjustment.

Example of Factory Settings



Limited Lifetime Warranty

- ▶ Tonno Pro offers a limited lifetime warranty against defective materials or workmanship on all aluminum rails, aluminum components, clamps, hinges, bows and hardware.
- ▶ 10 Year Vinyl – Tonno Pro uses the highest quality 24 oz vinyl in the industry. We offer a full 10 year warranty against defective materials or workmanship on the vinyl cover.

Warranty Conditions

This warranty is against defective materials or workmanship. This warranty is void if the product has been damaged by accident, unreasonable use, neglect, improper service or installation. Any modification, acts of God, normal wear and tear or other causes not arising from defective materials or workmanship is not considered under this warranty.

Examples of Conditions That Void Our Warranty:

- ▶ **Wind Whip Damage** – The cover must be secure to truck when vehicle is in motion.
- ▶ **Improper Cleaning** – The use of cleaning chemicals not approved for cleaning vinyl. Do not use products such as Armor All. These are vinyl conditioners and will cause the vinyl to shrink or to fade prematurely.
- ▶ **Overloading of Cargo** – Cargo must not be allowed to touch the cover in any position. Protrusions in the vinyl will cause stress in the fabric and cause unnecessary weak spots in the material.

Execution and Performance

Tonno Pro reserves the right to determine if all warranty conditions have been met. Upon determination, Tonno Pro may require the product to be returned postage prepaid to further inspect the warranty claim. Given that all conditions are met, Tonno Pro will either repair or replace (at Tonno Pro's determination) the product or the component. In the event that a product must be returned, our Return Authorization # must be obtained through our customer service department and must be on the returned parcel for it to be accepted. This warranty gives you specific legal rights and you may also have other legal rights which vary from state to state.

TONNEAU COVER MAINTENANCE

To prolong the usage and function of your tonneau cover, you should check it regularly for wear, proper fit, and debris caught on the cover. Check mounting hardware regularly to insure that all clamping mechanisms are tight and secure.

1. When cleaning your tonneau cover, make sure to clean your vehicle and cover in a shaded place like under a tree or in an open garage.
2. First flood the cover with water to remove surface grit that will scratch the finish when wiped. Wash your cover with cool, clean water and a mild soap.
3. Next, using a hose, rinse the cover well making sure to remove all traces of soap and wipe off excess water using a sponge. Be careful to hose down the entire truck to prevent soap from streaking your truck's paint finish. Do not use chemicals like detergents, dish washing liquids, bleaches, harsh cleansers, strong cleaners, dry-cleaning solvents, or any other strong chemicals as a cleanser.
4. Apply some quality vinyl cleaner that you can find in the nearest auto shop. Using a white all-cotton towel, wash the entire tonneau cover with the cleaner. **Never spot clean** your tonneau cover to avoid rings or bright spots on your tonneau cover. Make sure that you only use a **soft cotton cloth** or **sponge** as a cleaning tool. Do not use rough, abrasive cleaning pads because these can scratch the vinyl, creating pores that allow dirt and other unwanted particles to stick. **Do not use vinyl protectants that contain petroleum, silicone or citrus-based additives to ensure your cover looks its best!**