



FITTING INSTRUCTIONS

Product:	FUG
Vehicle:	RAM 1500
Part No.	077STFGA07A

Australian Standards Relating to Installing Vehicle Frontal Protection Systems (VFPS): AS 4876.1-2002

- a) Do not attach V.F.P.S. to vehicle using anchorages not intended for this purpose (e.g. engine mounting bolts), other than those specified by the V.F.P.S. manufacturer in this instruction.
- b) Do not use this product for any vehicle make or model other than those specified by the V.F.P.S. manufacturer (as above).
 - c) Do not remove any plaques or labels from the V.F.P.S.
 - d) Do not modify the structure of the V.F.P.S. in any way.

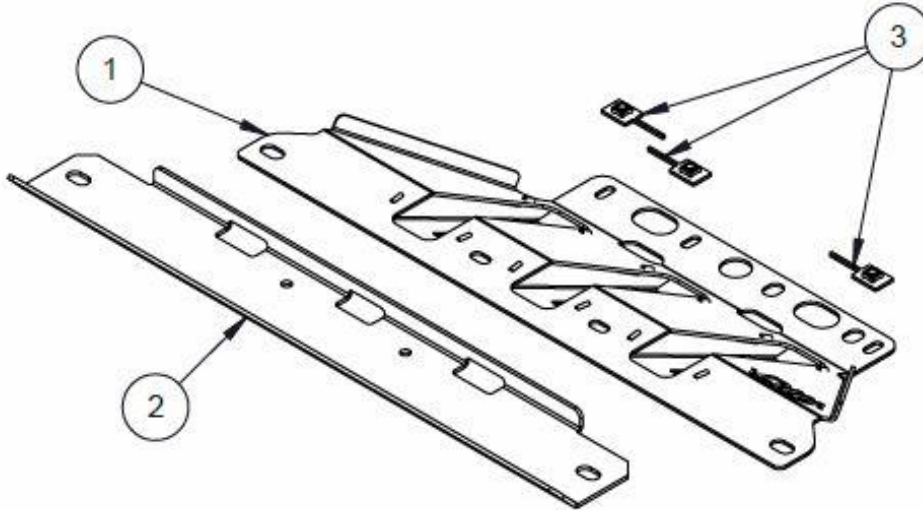
- **Before commencing fitment read instructions and ensure all listed components are supplied.**
- **Left hand & right hand components are determined as seated in the vehicle.**
- **The fitment of TJM products does not nullify the OE manufacturer's operating guidelines and/or warnings. Ensure you are familiar with and adhere to the usage instructions specified by the manufacturer in the owner's manual or other official documentation.**
- **Check for (and remove) any build up in all threads fitted to the product.**
- **Ensure that the "Rated Recovery Point Label" is affixed alongside the compliance label in the driver's side doorjamb.**
- **When fitting accessories to TJM products (ie. driving lights and aerials), ensure suitable washer plates are used under the mounting surface that allow the accessory to be secured in a way that prevents it from damaging the product.**
- **When removing protective coatings, ensure all new edges are deburred, clean any swarf from the area and apply rust preventative to exposed surfaces.**
- **Always place the product on a soft work space to prevent damage prior to installation**

Bolt tensions	Dia. (mm)	Nm	ft.lbs	Dia. (inch)	Nm	ft.lbs
All bolt tensions are as follows unless otherwise specified.	5	5	4	1/4"	9	7
	6	9	7	5/16"	22	15
	8	22	16	3/8"	33	27
	10	44	32	7/16"	55	43
	12	77	57	1/2"	86	66



FITTING INSTRUCTIONS

Product:	FUG
Vehicle:	RAM 1500
Part No.	077STFGA07A



	Description	Qty.	Part #
PARTS LIST			
1	ASSY WELD STONE SHIELD	1	F-30411
2	FUG SUPPORT	1	F-30732
3	ASSY WELD NUT PLATE M10 X 1.5	3	F-30419
FITTING KIT			
16	TJM LOGO BACKING PLATE	1	F-13430

#	Description	Qty.	Part #
F-30475 BOLT KIT			
1	M6 x 1.0 x 20 BUTTON SCREW - SS304	2	K3218
2	M6 x 12.5 x 1.2 - WASHER FLAT SS304	4	K1551
3	M6 x 1.0 ZP - NUT HEX NYLOC	2	K0605
4	M8 X 19 X 18g - WASHER FLAT	4	K0628
6	M8 x 3 x 2 - WASHER SPRING	2	K0620
7	M8 x 1.25 x 35 HEX SCREW - ZP	2	K0555
8	M8 x 1.25 ZP - NUT HEX NYLOC	2	K0606
9	M10 x 1.5 x 30 HEX SCREW - ZP	3	K0557
10	M10 x 3.5 x 2.2 ZP - WASHER SPRING	3	K0621
11	3/8 x 1 x 14G ZP - WASHER FLAT	3	K0630
12	M12 x 4.0 x 2.5 ZP - WASHER SPRING	2	K0977
13	M12 x 32 x 3.0 ZP - WASHER FLAT	2	-
15	M12 x 1.5 x 60 HEX BOLT - ZP	2	-



FITTING INSTRUCTIONS

Product:

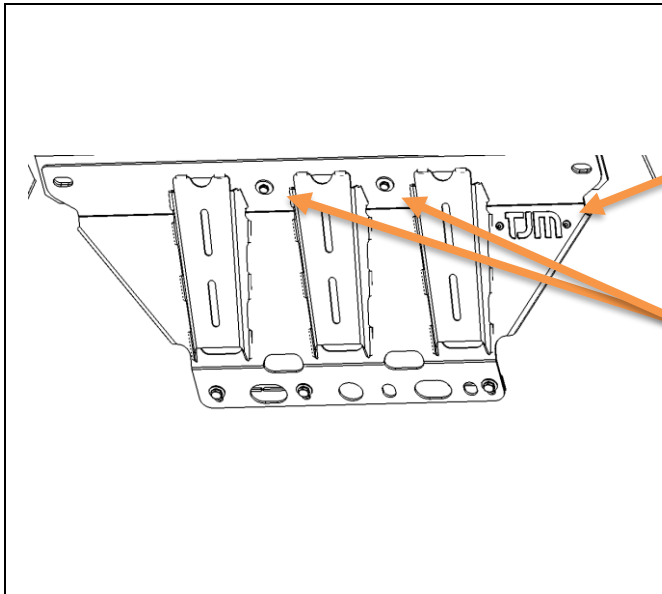
FUG

Vehicle:

RAM 1500

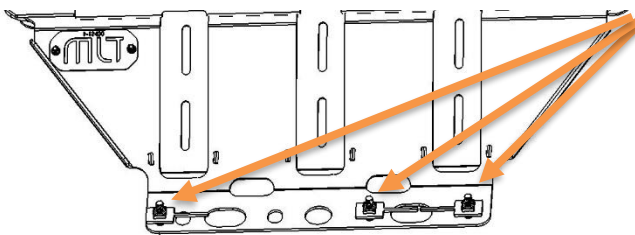
Part No.

077STFGA07A



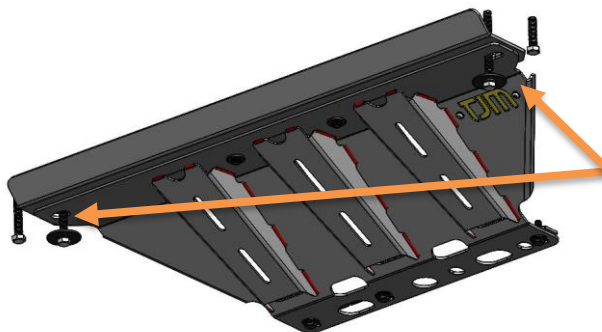
Optional: Front Under Guard (F.U.G.);

1. Install TJM badge to F.U.G. using supplied M6 stainless bolt(2), M6 stainless flat washers(4) and M6 nyloc nuts(2).
2. **IF FPS is being fitted:**
With the aid of a helper, lift into position and fasten FUG to the 2 nutserts in TJM winch frame using M8 x 1.25 x 35mm bolts (2), M8 spring washer(2) and M8 flat washers(2) at the front.
If FUG only is being installed:
Fasten FUG support to front of FUG using M8 x 1.25 x 35mm bolts (2), M8 flat washers(4) M8 x 1.25 nut(2)



Note: Shown from rear view.

3. Insert 3 x M10 nut plates into the vehicle cross member as shown.
4. Install M10 x 1.5 x 30mm bolt (3), M10 spring washers (3) and M10 flat washers (3), fasten the rear for the F.U.G. finger tight only.



5. If FPS is being fitted, refer back to FPS instructions for the following step.
- If FUG only is being installed:**
6. Fasten rear using M12 x 1.5 x 60mm bolts(2), M12 spring washer(2) and M12 32mm flat washer(2) to front posts.



FITTING INSTRUCTIONS

Product:

FUG

Vehicle:

RAM 1500

Part No.

077STFGA07A



FUG, FPS, RECOVERY POINTS AND REMOVABLE HOOP SHOWN.