

TITAN pt. no.: 02 0000 0165

Important: Please read these instructions carefully and completely before starting the installation.

TITAN™ Fuel Tanks

INSTALLATION GUIDE



Cross-Linked Polyethylene Replacement Tank for FORD Diesel-Fuelled Vehicles

8020199: FORD, After-Axle, Econoline Cut-Away, Utility Diesel Tank

Approximate overall tank dimensions: 37.25" x 31.13" x 14.38". Shipping box dimensions, approximate: 40" x 34" x 18". Gross shipping weight: 58 lbs. approximately.

In most cases this product replaces the following original FORD equipment part numbers: 2C2Z9002A for model years 1999-2001, 2C2Z9002EB for model years 2002-2003, 7C2Z9002F for model years 2004-2008, 9C2Z9002F for model years 2009-2010.

Required Tools:

- 1 ea. Ratcheting socket driver
- 1 ea. SET of metric sockets for removal of vehicle straps and brackets etc.
- 1 ea. 12 inch long socket driver extension
- 1 ea. 5/8 inch socket
- 1 ea. Small flat blade screw driver
- 1 ea. Medium flat blade screw driver
- 1 ea. Needle nose pliers
- 1 ea. Torque wrench handle for socket
- 1 ea. Mallet or small hammer

Recommended Optional Tools:

- 1 ea. Impact wrench

8020199 FORD, After-Axle, Econoline Cut-Away, Heavy Duty Cross-Linked Polyethylene Replacement Tank Parts List:

1 ea. 02 0000 0154 Extra heavy-duty, 55* gallon, cross-linked polyethylene (XLHDPE) fuel tank body.

Part Identification: Name "TITAN" appears on the bottom surface of the tank body. The number "02 0000 0154" appears below the lettering.

Note: Please check, before beginning to be sure the tank is properly identified as the one to fit your vehicle.

The following parts (Sending Unit Mounting Assembly and Vent) should already be installed on the tank.

1 ea. Sending Unit Mounting Assembly, consisting of:

1 ea.	02 0000 0156	FORD, 55 Gallon Half-Flange, Piece #1
1 ea.	02 0000 0157	FORD, 55 Gallon Half-Flange, Piece #2
1 ea.	02 0000 0160	FORD, 55 Gallon Flat Gasket
6 ea.	02 0000 0162	Push-Nut Bolt Retainer
1 ea.	99 0102 0000	Rollover Fill-Stop Valve

1 ea. 02 0127 0000 TITAN™ 55 Gallon Install Kit, consisting of:

4 ea.	02 0000 0158	Nylon Unthreaded Spacer
4 ea.	02 0000 0159	Cap Screw
1 ea.	02 0000 0161	O-Ring Gasket
7 ea.	99 0000 0294	Flat Washer
6 ea.	02 0000 0163	Nylon Locknut
1 ea.	99 0000 0123	NPT Threaded HEX plug
4 ea.	01 0000 0114	Flat Washer
1 ea.	99 0104 0000	Grounding Cable

Miscellaneous:

1 ea.	02 0000 0165	Installation Instructions
-------	--------------	---------------------------

IMPORTANT NOTICE: Before installation, be sure to thoroughly inspect inside of the tank for ANY foreign debris!

I. Remove Original Equipment Tank

Step	Description
1	In a safe and approved manner, arrange, or lift the vehicle so that the stock tank is accessible and unobstructed.
2	Drain all the fuel from the original equipment (OEM) tank using a pump or siphon. In some cases, this may have to be done after disconnecting the fill hose from the tank.
3	Remove the straps or brackets securing the tank and lower it just enough to access the sending unit lines and plugs.
4	Disconnect the sending unit.
5	Lower tank and remove the OEM tank from the vehicle.
6	Loosen the bolts holding the sending unit into the OEM tank and carefully remove it (See Fig. 1).



(Fig. 1) Loosen the bolts holding the sending unit into the OEM tank.

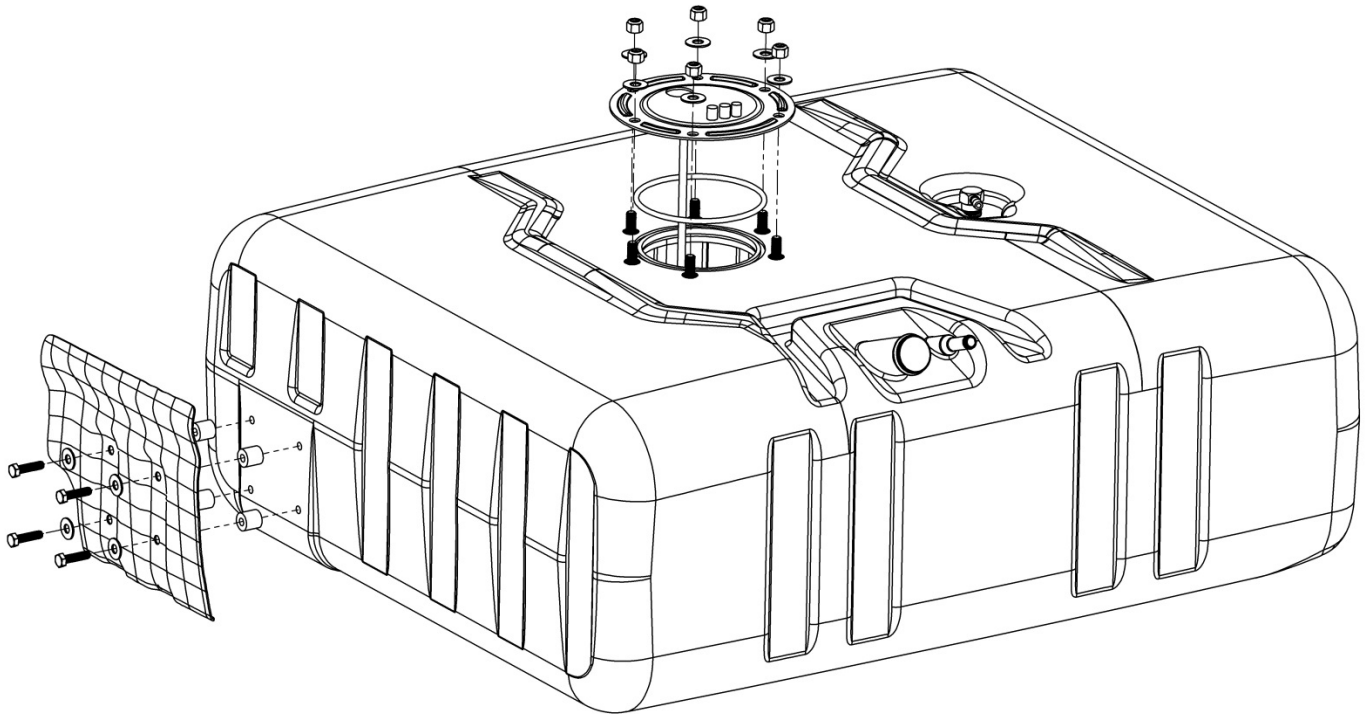


(Fig. 2) Carefully place the OEM sending unit into the new TITAN™ replacement tank.

II. Prepare Replacement Tank

Step	Description
7	Thoroughly clean the mounting plate of the sending unit removing all dirt and fuel residue.
8	On the TITAN replacement tank, carefully place the supplied "O" ring gasket into the groove around the sending unit opening.
9	CHECK THE ½ FLANGES INSIDE THE TANK TO BE SURE THEY ARE SEATED FLAT AND <u>NOT</u> OVERLAPPING and have not shifted in shipment. Make sure the flat gasket is in place between the ½ flanges and the top inside surface of the tank.
10	Carefully place the sending unit into the new TITAN™ replacement tank. Make

sure the “O” ring gasket is placed properly under the sending unit to seal correctly (See Fig. 2). Before installing the sending unit into the replacement tank, BE SURE THE INSIDE OF THE TANK IS FREE OF DIRT OR DEBRIS OF ANY KIND.



(Fig. 3) Exploded view showing the assembly of TITAN™ model 8020199 replacement tank. Grounding Cable is not shown. The metal side shield is transferred from the OEM tank if it is so equipped.

- 11 Place the supplied 3/8" flat washers (99 0000 0294) on the studs holding the sending unit—place on top of the sending unit (See Fig. 3). **Note: It is very important that the Grounding Cable (99 0104 0000) be placed on one of the sending unit mounting studs.** Place the cable's eyelet on top of the (99 0000 0294) flat washer and place another of the washers on top of it (See Fig. 4).
- 12 Thread the nylon lock nuts (02 0000 0163) onto the studs. Carefully “snug” the nuts equally before tightening to specification. **Tighten the stud nuts to 25 foot pounds (ft. lbs.) of torque using torque wrench.** Be sure to tighten in a “star” pattern, starting with the four studs adjacent to where the ½ flanges meet, so as to prevent the flanges from overlapping, and to ensure all nuts are equally tightened and the “O” ring gasket is properly seated. Carefully “snug” the nuts equally before tightening to specification. After initially tightening to 25 foot pounds (ft. lbs.), it is a good practice to check the torque again after 15 minutes or so.
- 13 If the OEM tank has a shield on one side, remove the shield from it and attach to

the new TITAN™ tank using the supplied hardware (See Fig. 3).



(Fig. 4) Be sure to attach Grounding Wire to one of the studs holding the sending unit.



(Fig. 5) The other end of the Grounding Wire must be attached to a bolt on the vehicle frame.

III. Install Replacement Tank in Vehicle

- | Step | Description |
|------|--|
| 14 | Attach any bracketing or straps, reversing the procedure used to remove the OEM tank from the vehicle, and lift it into place. Be sure to tighten all bolts and connections. |
| 15 | Attach the other end of the Grounding Cable to the FRAME of the vehicle. Be sure that it is securely attached on a bolt (See Fig. 5). |
| 16 | Fill fuel tank <u>completely</u> with diesel fuel and check for leaks. This is a very important step which confirms the installation is successful. |



Installation Complete!

