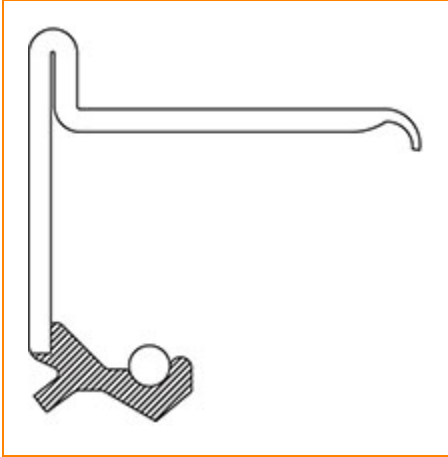


Part Number 5200, Seal Kit

Seal Kit



[Specifications](#) | [Dimensions](#)

Specifications	
Seal Type	71
Material	Nitrile
Features	RP 356 Bushing
Inch/Metric	Inch

Dimensions	
Shaft Size	1.502 in 38.151 mm
Outer Diameter	60.477 mm 2.381 in
Overall Width	0.940 in 23.876 mm

