



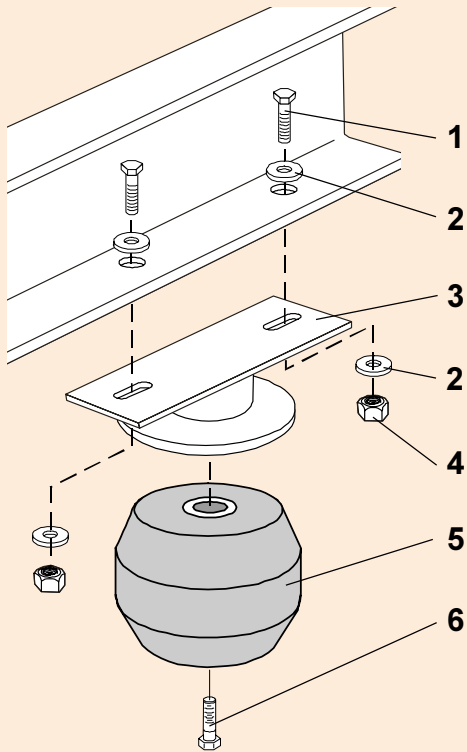
**OSHRV** **OSHKOSH** Rear suspension package

INSTALLATION INSTRUCTIONS

- a) Raise vehicle allowing the axle to hang freely.
- b) Remove existing bump stop assembly.
- c) Assemble Aeon rubber spring and bracket as shown in the adjacent diagram.
- d) Mount Timbren assembly using existing holes & Timbren supplied fasteners.
- e) Lower vehicle.

Ref. = Reference  
 Part = Part #.  
 Qty. = Quantity

Ref	Part	Qty
1	F11063-150	4
2	F40031-020	8
3	K10108-003	2
4	F31003-150	4
5	A01525-65G70	2
6	F11106-150	



Do not exceed vehicle manufacturer's recommended axle weight rating. Check for AEON® interference with vehicle components - Under load AEON® will "expand" in diameter.

## OSHRV

PART NUMBER	DESCRIPTION	QTY	LOCATION
<b>F31003-150</b>	NYLOCK LOCKNUT 3/8 UNF GR 5 Z	<b>4</b>	<b>G1C</b>
<b>F40031-020</b>	WASHER FLAT USS 3/8 x 1 GR 2 Z	<b>8</b>	<b>G1C</b>
<b>F11063-150</b>	HCS 3/8 x 1-1/2 UNF GR 5 Z	<b>4</b>	<b>G1C</b>
<b>F11106-150</b>	HCS 1/2 x 2-1/2 UNF GR 5 Z	<b>2</b>	<b>G1D</b>
<b>A01525-65G70</b>	Hollow Rubber Spring	<b>2</b>	<b>C18B</b>
<b>K10108-003</b>	OSHRV WELDMENT PAINTED	<b>2</b>	<b>D7D</b>
<b>B90201-CR</b>	LARGE REAR BOX - 10.5 x 8.5 x 6	<b>1</b>	<b>A--D</b>
<b>B10000</b>	8" x 12" BUBBLE FOR KITS	<b>1</b>	
<b>B00029-010</b>	BARCODE LABEL FOR KIT	<b>1</b>	

Issued: 3/23/2007

### Clearance Instructions:

Rear SES Kits for Pick-Ups and Vans should have a 1/2" to 1-1/2" gap between the rubber spring and contact point when empty.

A partial load, or vehicle accessories will reduce or eliminate the gap.

Front SES kits are usually in full contact.

Medium and Heavy-Duty Trucks, Trailers and Motorhomes will be in constant contact, and have no gap.