

FVR001 **FORD** Rear suspension package

INSTALLATION INSTRUCTIONS

- a) Raise vehicle allowing the axle to hang freely.
- b) Remove existing bump stop assembly.
- c) Mount Timbren assembly using OEM fasteners.
- d) Lower vehicle.

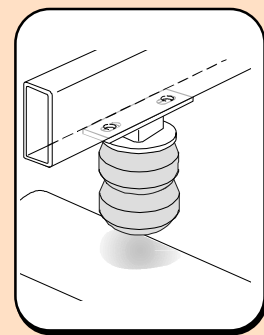
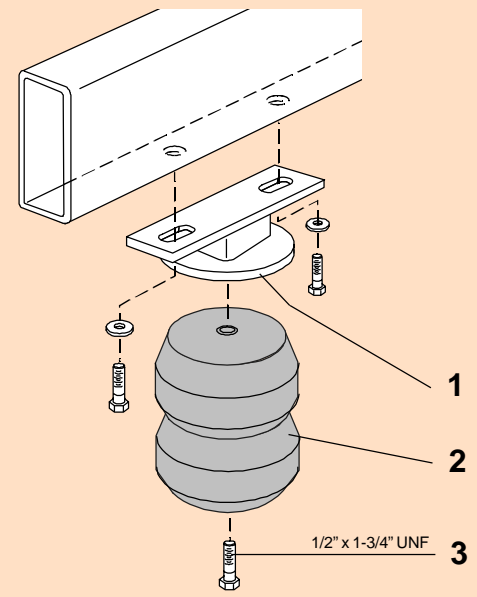
NOTES

When removing OEM fasteners, use penetrating fluid.
Check that brake line or brake cable locations do not interfere with Aeon spring.

Do not exceed vehicle manufacturer's recommended axle weight rating. Check for AEON® interference with vehicle components - Under load AEON® will "expand" in diameter.

Ref. = Reference
Part = Part #.
Qty. = Quantity

Ref	Part	Qty
1	K10165-003	2
2	A00515-65F60	2
3	F11103-150	2



FVR001

