

FRTTSDE

FORD

Rear suspension package

INSTALLATION INSTRUCTIONS

- Raise vehicle allowing the axle to hang freely.
- Remove existing bump stop assembly.
- Assemble Aeon rubber spring and bracket #4 as shown in the adjacent diagram.
- Mount Timbren assembly using existing holes & Timbren supplied fasteners.
- Lower vehicle.

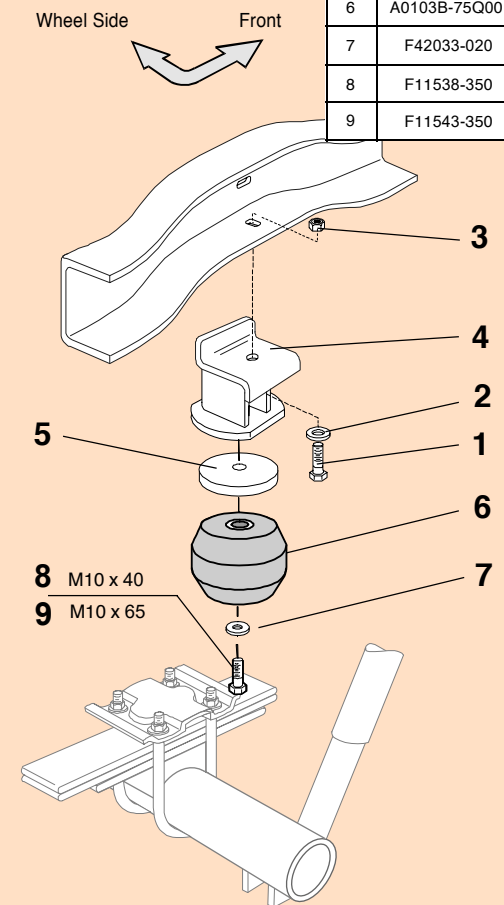
NOTES

Check that brake line or brake cable locations do not interfere with Aeon spring.
Use rubber washer #5 and bolt #9 to achieve desired ride height.

Do not exceed vehicle manufacturer's recommended axle weight rating. Check for AEON® interference with vehicle components - Under load AEON® will "expand" in diameter.

Ref. = Reference
Part = Part #.
Qty. = Quantity

Ref	Part	Qty
1	F11536-350	2
2	F40310-020	2
3	F31051-350	2
4	K10551-003	2
5	A25723-90AH00	4
6	A0103B-75Q00	2
7	F42033-020	2
8	F11538-350	2
9	F11543-350	2



FRTTSDE

PART NUMBER	DESCRIPTION	QTY	LOCATION
F31051-350	NYLOCK LOCKNUT M10 x 1.50 Gr 8.0 Z	2	I1D
F40310-020	WASHER FLAT M10 GR 4.6 Z	2	I1D
F11536-350	HCS M10 x 30 x 1.5 Gr 8.8 Z	2	I1C
F11538-350	HCS M10 x 40 x 1.5 Gr 8.8 Z	2	I1C
F11543-350	HCS M10 x 65 x 1.5 Gr 8.8 Z	2	I2D
F42033-020	WASHER FENDER 3/8 x 1-1/2 x 1/16 THK GR2 Z	2	G4A

ASSEMBLY NOTES:

A0103B-75Q00	Hollow Rubber Spring	2	C1A
A25723-90AH00	RUBBER SPACER 4"OD x 1" THK W/AH Bushing	4	

K10551-003	FRSDE WELDMENT PAINTED	2	D9F
-------------------	------------------------	----------	------------

B90201-CR	LARGE REAR BOX - 10.5 x 8.5 x 6	1	A--D
B10000	8" x 12" BUBBLE FOR KITS	1	
B00029-010	BARCODE LABEL FOR KIT	1	

Clearance Instructions:

Rear SES Kits for Pick-Ups and Vans should have a 1/2" to 1-1/2" gap between the rubber spring and contact point when empty.

A partial load, or vehicle accessories will reduce or eliminate the gap.

Front SES kits are usually in full contact.

Medium and Heavy-Duty Trucks, Trailers and Motorhomes will be in constant contact, and have no gap.