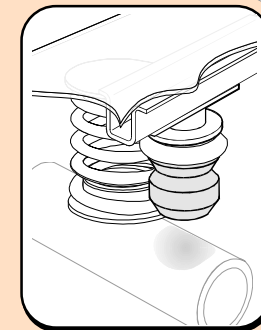
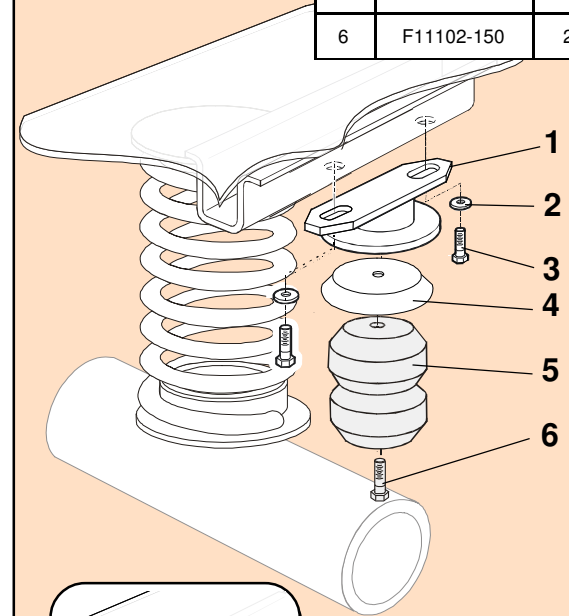


Ref. = Reference  
 Part = Part #.  
 Qty. = Quantity

### INSTALLATION INSTRUCTIONS

- a) Raise vehicle allowing the axle to hang freely.
- b) Remove existing bump stop assembly.
- c) Assemble Aeon rubber spring and bracket as shown in the adjacent diagram.
- d) Mount Timbren assembly using existing holes & Timbren supplied fasteners.
- e) Lower vehicle.

Ref	Part	Qty
1	K10083-003	2
2	F40300-020	4
3	F11504-350	4
4	A1602BA-003	2
5	A00515-55F60	2
6	F11102-150	2



*Do not exceed vehicle manufacturer's recommended axle weight rating. Check for AEON® interference with vehicle components - Under load AEON® will "expand" in diameter.*

PART NUMBER	DESCRIPTION	QTY	LOCATION
<b>F40300-020</b>	WASHER FLAT M8 GR 4.6 Z	<b>4</b>	<b>H3D</b>
<b>F11504-350</b>	HCS M8 x 25 x 1.25 GR 8.8 Z	<b>4</b>	<b>H3C</b>
<b>F11102-150</b>	HCS 1/2 x 1-1/2 UNF GR 5 Z	<b>2</b>	<b>G1D</b>

<b>A00515-55F60</b>	Hollow Rubber Spring	<b>2</b>	<b>C5B</b>
---------------------	----------------------	----------	------------

<b>K10083-003</b>	WELDMENT PAINTED	<b>2</b>	<b>D12C</b>
<b>A1602BA-003</b>	STEEL CUP 3-7/8 od x 13/32 id x 1/2" dp. PTD	<b>2</b>	<b>D21A</b>

<b>B90215</b>	Carton 8.5 x 6.5 x 5	<b>1</b>	<b>A5A</b>
<b>B10000</b>	8" x 12" BUBBLE FOR KITS	<b>1</b>	
<b>B00029-010</b>	BARCODE LABEL FOR KIT	<b>1</b>	
<b>B90121-010</b>	OFFROAD KIT BOX LABEL	<b>1</b>	

**Clearance Instructions:**

Rear SES Kits for Pick-Ups and Vans should have a 1/2" to 1-1/2" gap between the rubber spring and contact point when empty.

A partial load, or vehicle accessories will reduce or eliminate the gap.

Front SES kits are usually in full contact.

Medium and Heavy-Duty Trucks, Trailers and Motorhomes will be in constant contact, and have no gap.