



# ABSFRRGR

Rear suspension package

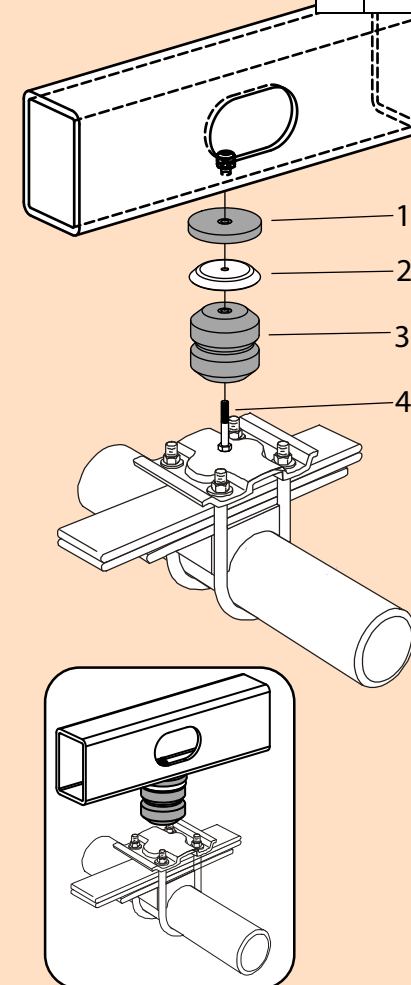
## INSTALLATION INSTRUCTIONS

- a) Raise vehicle allowing the axle to hang freely.
- b) Remove existing bump stop.
- c) Assemble Aeon rubber spring and bracket as shown in the adjacent diagram.
- d) Mount Timbren assembly using existing holes & Timbren supplied fasteners.
- e) Lower vehicle.

*Do not exceed vehicle manufacturer's recommended axle weight rating. Check for AEON® interference with vehicle components - Under load AEON® will "expand" in diameter.*

Ref. = Reference  
 Part = Part #.  
 Qty. = Quantity

Ref	Part	Qty
1	A25722-90P00	2
2	A1602B-003	2
3	A00550-65P30	2
4	F11543-350	2



**ABSFRRGR**