

INSTALLATION INSTRUCTIONS



Balance Bar Remote Cable Adjuster

INTRODUCTION

Tilton Remote Cable Adjusters are designed to attach to the balance bar used in the Tilton pedal assemblies and allows the driver or crew to adjust the brake bias quickly and accurately during competition.

The remote cable adjuster comes with a 6-foot cable that may be cut to length for your application. The finger-grooved, non-slip adjustment knob allows a good grip during adjustment. The adjustment knob has spring-loaded detents for vibration resistance and will hold the set adjustment in place during the toughest conditions. The mounting hole location drawing provided makes the installation a breeze.



Installation notes

- Select a location that allows the driver or crew to make adjustments easily.
- Trial route the cable from the knob to the balance bar on the brake pedal.
- Route the cable so it does not interfere with the driver's feet, other pedals or other equipment in all pedal positions.
- The cable routing and length should allow all of the curves in the cable to have a 6" minimum bend radius to prevent binding and excessive wear.
- The cable should be shortened to the appropriate length for your application.
- Never try to adjust the brake balance while applying the brakes. Always adjust the brake balance when the pedal is in a relaxed state.
- You can swap the balance bar shaft around in the pedal assembly if you need to attach the cable from the opposite side of the pedal. Make sure that the clevis center-to-center distance is maintained.

P/N 72-508
Includes 3/8" x 24 & 7/16" x 20 threaded coupling
Fits 72-250 and 72-260 balance bars

INSTALLATION

1. Select the mounting location and trial fit the Remote Cable Assembly to note any obstructions for the routing of the cable.
2. When satisfied with the location, refer to **Drawing 1** and mark the center hole and the four (4) mounting holes.
3. Refer to **Drawing 1** and cut or punch a 1.50" hole in the center location, this will allow the cable to pass through and the mounting plate to sit flush on the panel.
4. Drill the four mounting holes using a 1/8" drill bit.
5. Trial fit the mounting plate into position and verify that it fits properly.
6. Using a 1/8" hex key, loosen the setscrew that holds the adjustment knob in place.
7. Remove the adjustment knob while being careful not to lose the nylon plunger and spring.
8. Tighten the nut that holds the mounting sleeve onto the mounting plate.
9. Install the mounting plate into the prepared mounting location with the mounting plate being on the driver's side of the panel.
10. Use #4 or 3 mm screws with the appropriate length for your application. Use locknuts to prevent loosening from vibration.
11. Slide the cable through the mounting sleeve from the backside of the panel.
12. Slide the knob onto the cable end shaft and align the flat side of the cable end with the knob setscrew.
13. Make sure that the nylon plunger and spring are in place correctly.
14. Allow for a slight gap between the mounting sleeve and the knob to prevent rubbing when the knob is rotated.

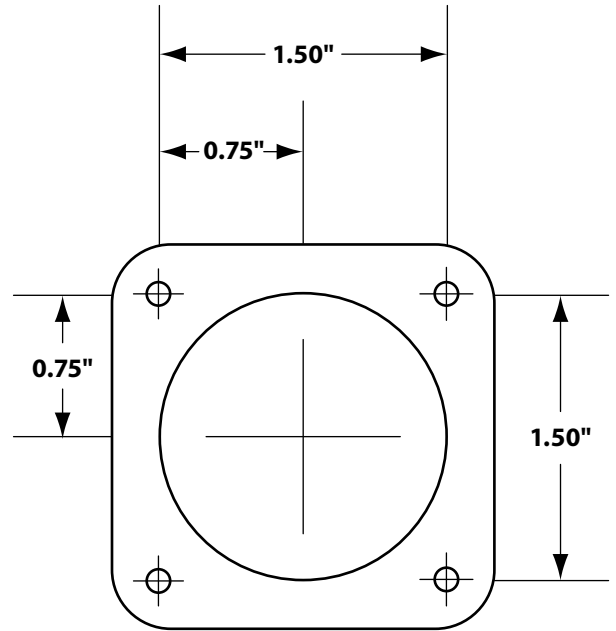
CABLE ROUTING AND LENGTH MODIFICATION

1. Mark the end of the cable where it needs to be cut to length.
2. Remove the (red) plastic sleeve from the cable before brazing. This will prevent melting the plastic sleeve.
3. Braze the cable at the cutting point before cutting. This will prevent fraying of the cable end.
4. Cut the cable to length at the brazed point in the cable.
5. Slip the (red) plastic tubing onto the cable and cut the tubing a 0.50" shorter than the cable length.
6. Remove any jam nuts from the end(s) of the balance bar in the pedal assembly before continuing.
7. Thread the jam nut included in the kit onto the balance bar shaft.
8. Thread the coupling onto the hex broached end of the balance bar shaft. Typically, this is on the right side.
9. Insert the cable end into the coupling and secure the cable by tightening the setscrew in the coupling.
10. Secure the coupling by tightening the jam nut on the balance bar against the cable coupling.
11. Rotate the adjuster knob and look for cable movement or binding. Less cable housing movement provides better balance bar adjustment.
12. Secure the cable along its route with the five (5) cable clamps that are included in the kit.
13. Rotate the adjustment knob and observe the direction and effect it has on the balance bar position. Rotating the balance bar so it shifts towards the master cylinder for the rear calipers increases the amount of rear braking.
14. Apply the proper directional decal on the adjustment knob according to previous observation.

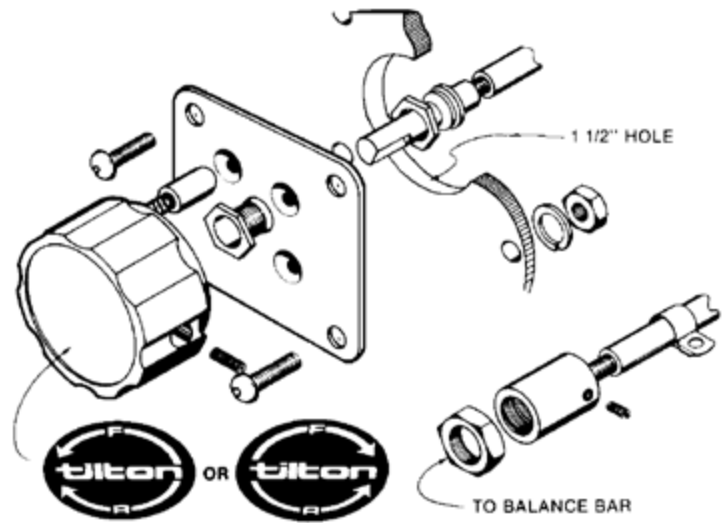
MAINTENANCE

- Periodically inspect the balance bar assembly and the Remote Cable Adjuster.
- Lubricant is not required for the cable assembly although a silicone-based lubricant can be used if desired.

Note: Lubrication is not recommended for the balance bar since dirt and other foreign particles that can hinder operation tend to stick to oil and grease.



Drawing 1 - Mounting Hole Locations



Drawing 2 - Expanded Parts View