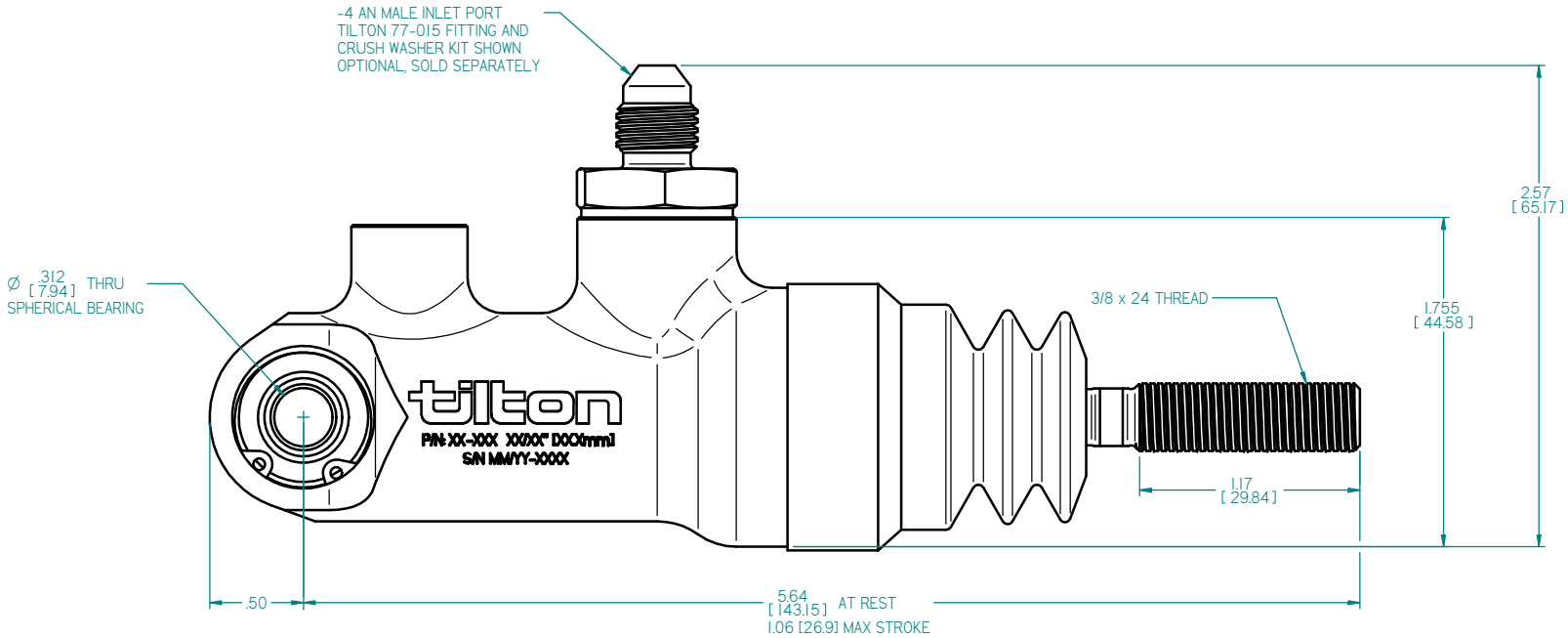
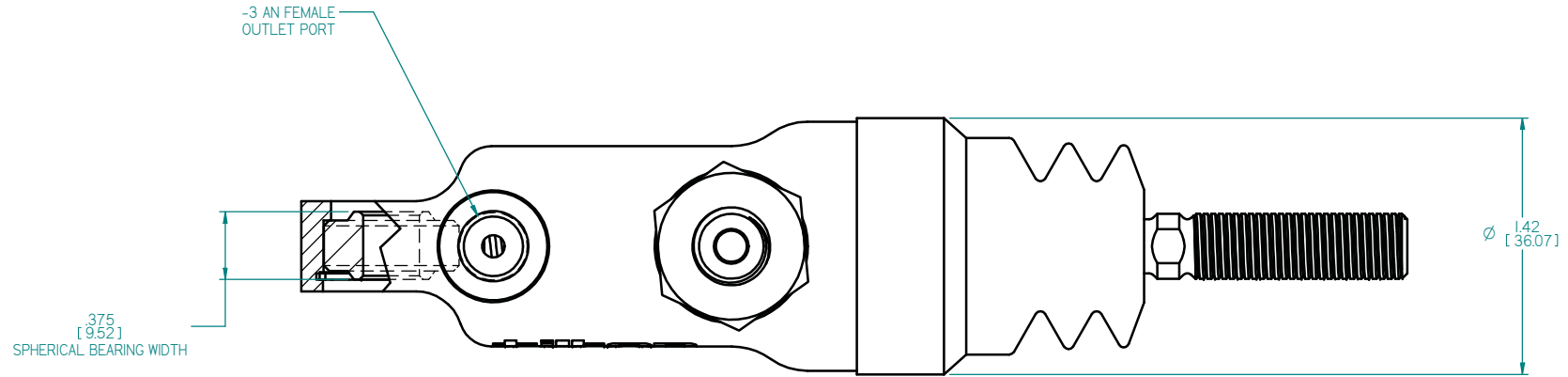


ZONE	CHK'D	DATE	REV	ECN	CHANGE OR ADDITION
------	-------	------	-----	-----	--------------------

This document contains proprietary information of TILTON ENGINEERING, INC. and its receipt or possession does not convey the rights to reproduce, disclose its contents, or to manufacture, use or sell anything it may describe. Reproduction, disclosure, or use without specific written authorization of TILTON ENGINEERING, INC. is strictly forbidden.

TILTON ENGINEERING



- NOTES:**
- DIMENSIONS AND TOLERANCES PER ASME Y14.5 - 2009
 - UNLESS OTHERWISE SPECIFIED, ALL DIMENSIONS ARE IN INCHES [MM].

TILTON ENGINEERING, INC.					
TITLE: 78 SERIES M/C PRODUCTION ASSEMBLY DRAWING					
ALL BORE SIZES					
DRAWN BY	LUND	CHKD	WAHL	SCALE	2 : 1
P/N	SEE TABLE	DATE		SIZE	DWG
				C	6320 NC