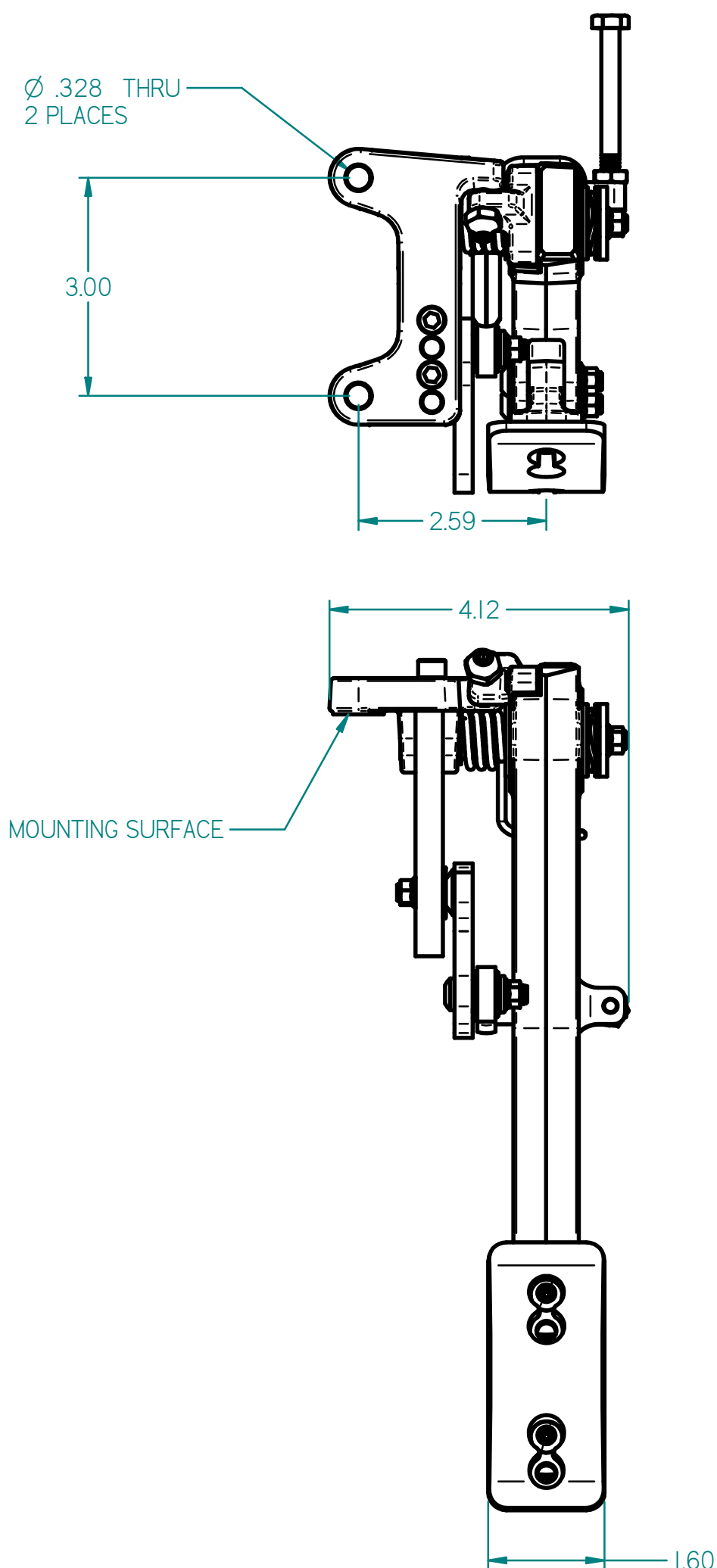
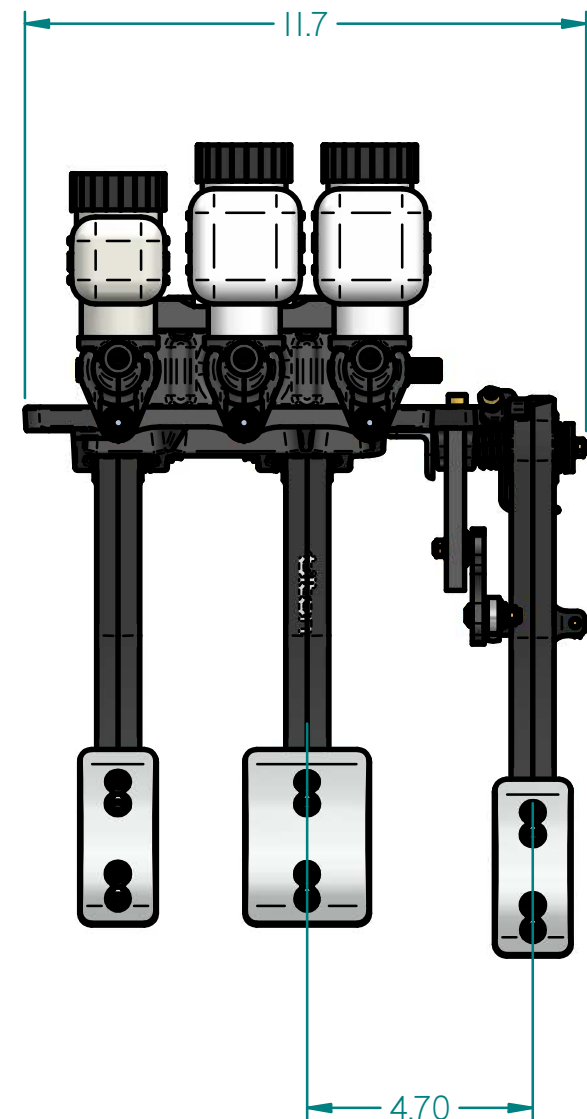


DETAIL A

STAGGARD HOLE PATTERN
ALLOWS MOUNTING TO EXISTING
CROSS MEMBERS



Ø .328 THRU
2 PLACES

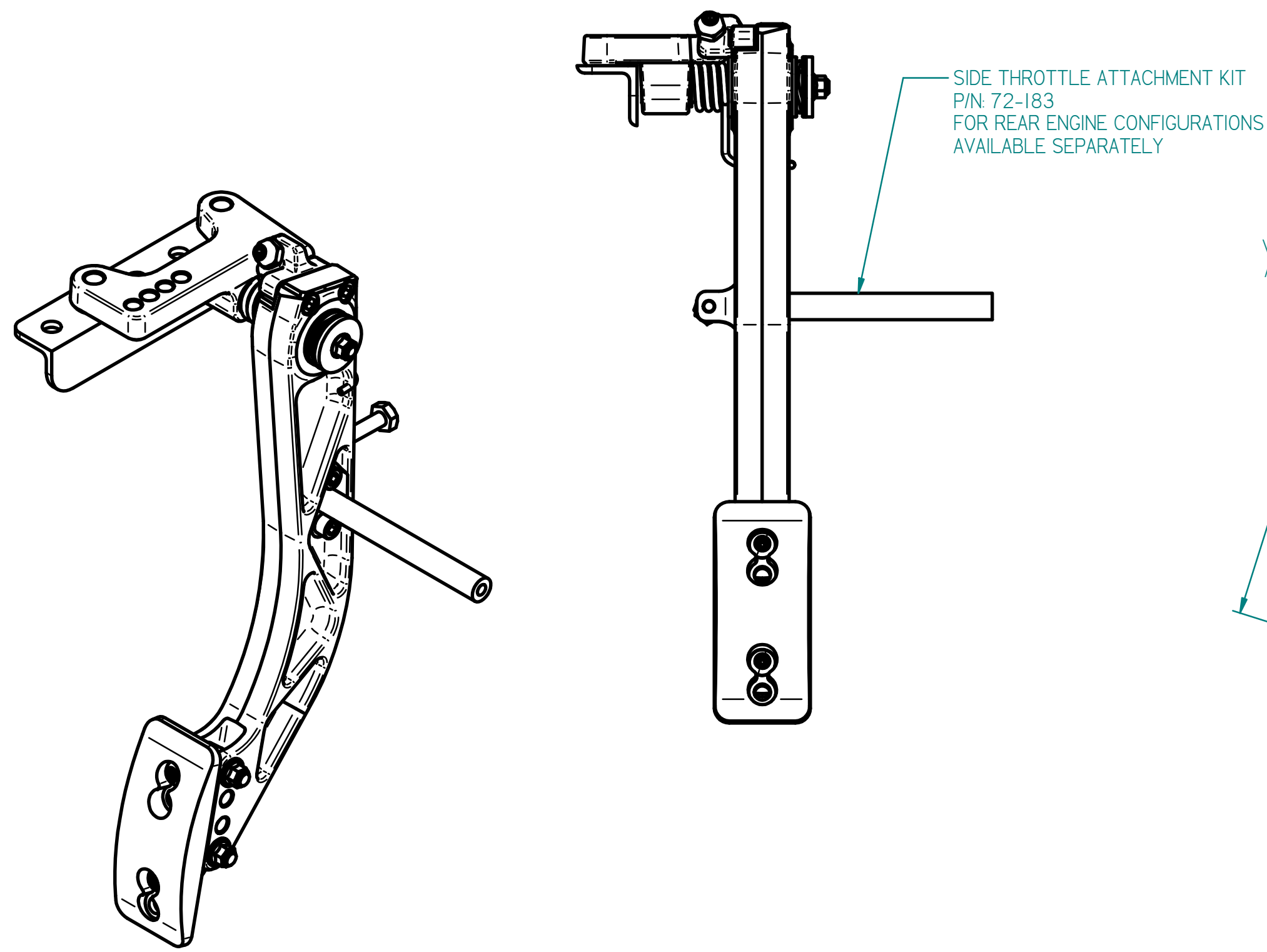
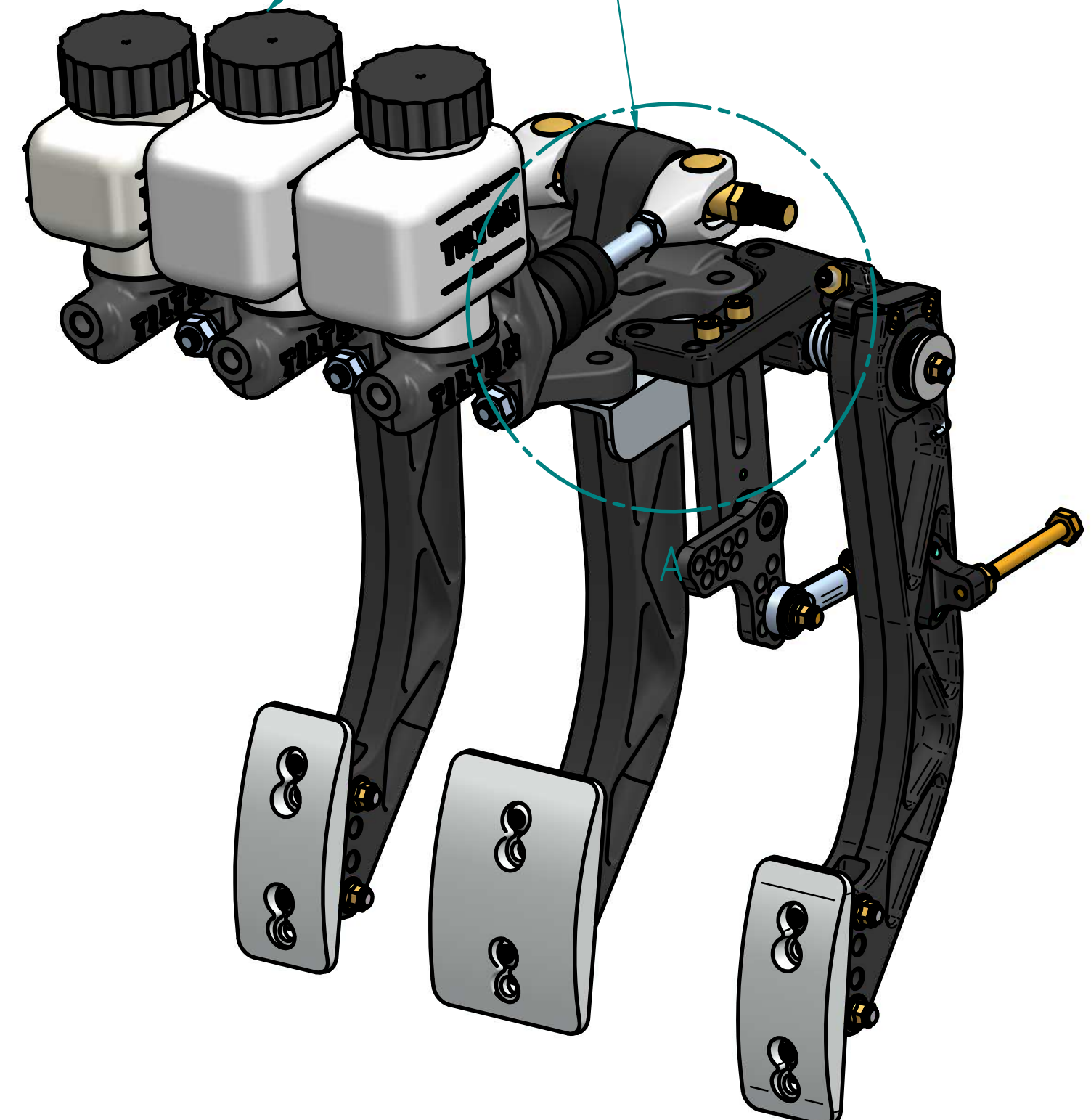
MOUNTING SURFACE

THROTTLE LINKAGE KIT
P/N 72-791
AVAILABLE SEPARATELY

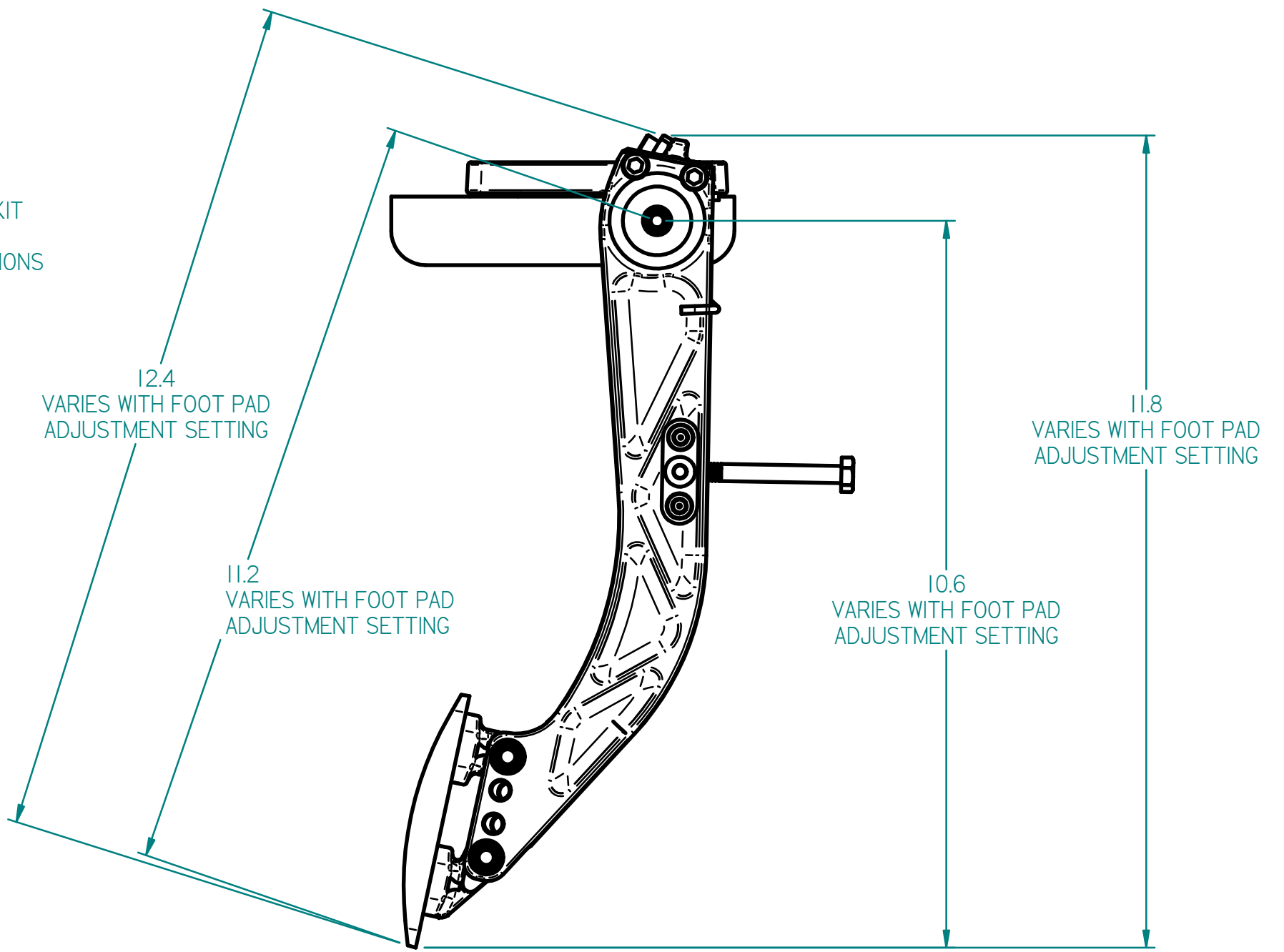
PEDAL THROW ADJUSTMENT

BRACKET AND PAD SYSTEM ALLOW FOR
MULTIPLE RATIO AND ANGLE OPTIONS.

SHOWN IN CONTEXT WITH 72-608
BRAKE AND CLUTCH PEDAL ASSEMBLY AND
75 SERIES MASTER CYLINDERS
(SOLD SEPARATELY)



SIDE THROTTLE ATTACHMENT KIT
P/N 72-183
FOR REAR ENGINE CONFIGURATIONS
AVAILABLE SEPARATELY



- NOTES:
1. DIMENSIONS AND TOLERANCES PER ASME Y14.5 - 2009
 2. UNLESS OTHERWISE SPECIFIED, ALL DIMENSIONS ARE IN INCHES.

TITLE: INSTALLATION DRAWING				
600 SERIES HANGING THROTTLE PEDAL ASSEMBLY				
DRN BY WAHL	CHKD LUND	SCALE 1:2	DWG 5928	REV B
P/N 72-615	DATE 03/04/2014	SHEET 1 OF 1		

"This document contains proprietary information of TILTON ENGINEERING, INC., and its receipt or possession does not convey the rights to reproduce, disclose its contents, or to manufacture, use or sell anything it may describe. Reproduction, disclosure, or use without specific written authorization of TILTON ENGINEERING, INC. is strictly forbidden."

TILTON ENGINEERING