



# Dock Hardware & Accessory Products Catalog

Revised: 1-21-15



# DOCK SYSTEM

# DOCK SIDES

Product	Page #
Angle Brackets/Clips	8
Back Up Plate	5
Backing Plate/Hurricane Stop	10
Carriage Bolt Sets	4
Chain Retainer	10
Connector Pin Set	5
Corners:	
Inside	6
Outside- Male & Female	6-7
Outside- End	6
Deck Plate	11
Dock Ladders	13
Hex Head Bolt Set	4
Lag Bolt Sets	4
Piling Holder - 14" Hoop Roller	13
Piling Holder - 14" Internal	12
Piling Holder - Chain	12
Piling Hoop	10-11
Piling Hoop with Roller	12
Pipe Holders:	
Inside Corner	9
Outside	9
Roller Assembly	11
Rolling Ramp Bracket - Inside	9
"T" Connector - Female	7
"T" Connector - Male	7
Washer Plates	5

Product	Page #
Slotted Receiver	15
Slotted Receiver With Cross Beam	15
Clamp Receiver With Cross Beam	15
Cross Beam Extension	15
Single Kayak Rack	16
Horizontal Kayak Rack	16
Vertical Kayak Rack	16
Canoe Racks	17
Dock Box Mounts	17
Outdoor Entertainment Center	17
Bench Structure	18
Rod Holder	18
Grill Stands	18-19
Mounting Bases	18-19



## TIE DOWN ENGINEERING

### Copyright, Trademark, and Intellectual Property Rights Notice

The written and graphical contents of this Catalog including photos, graphics, and other images are protected under copyright by TIE DOWN Inc. All rights are reserved and any reproduction of these materials must receive explicit prior approval. Trade, brand, and product names are the property of TIE DOWN Inc.

© 2014 TIE DOWN Inc., ALL RIGHTS RESERVED



# DOCK SYSTEM

Dock System Dock Hardware is designed for use with 1-1/2" lumber (minimum width of 6"). Dock System components are available in two grades:

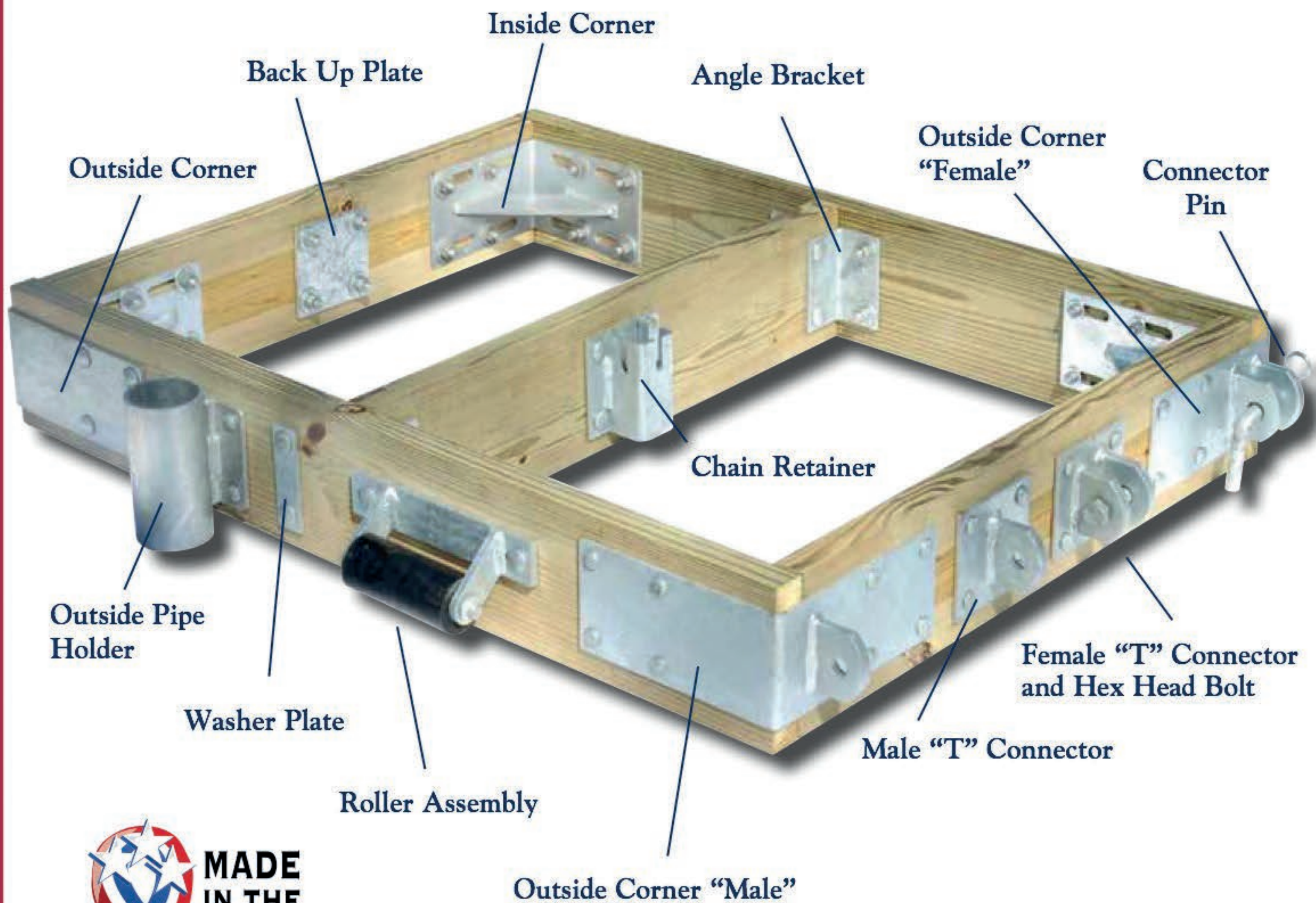
## ▶▶ Standard Grade

- 3/16" Material Thickness
- Hot Dipped Galvanized Finish
- 7/16" Mounting Holes
- Use with 3/8" Carriage Bolts

## ▶▶ Commercial Grade

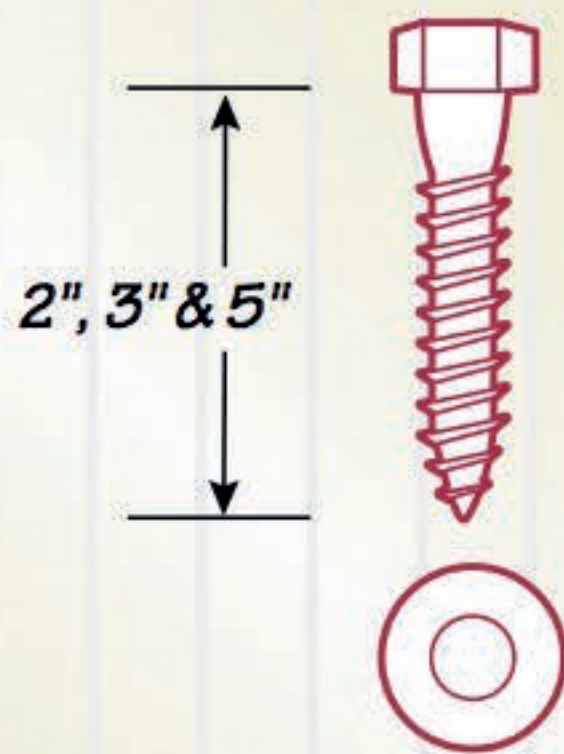
- 1/4" Material Thickness
- Hot Dipped Galvanized Finish
- 9/16" Mounting Holes
- Use with 1/2" Carriage Bolts

Detailed plans and bills of material for common floating wood docks and swim floats are available from Tie Down Engineering





## Lag Bolt Set

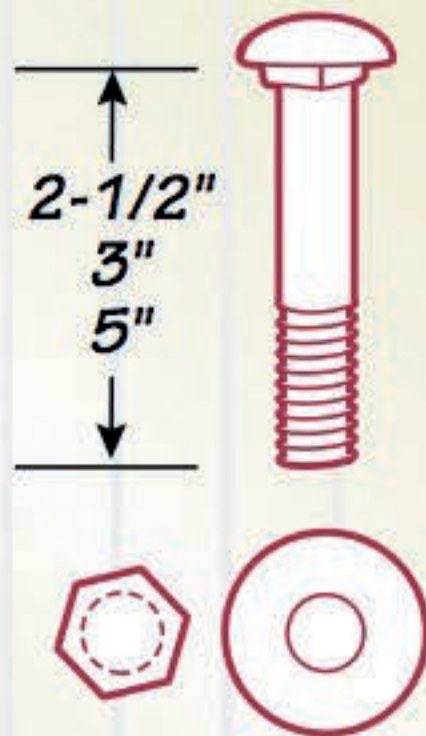


Bolt and flat washer with hot dip galvanized finish used to attach flotation drums to dock system.  
Sold 8 per bag.

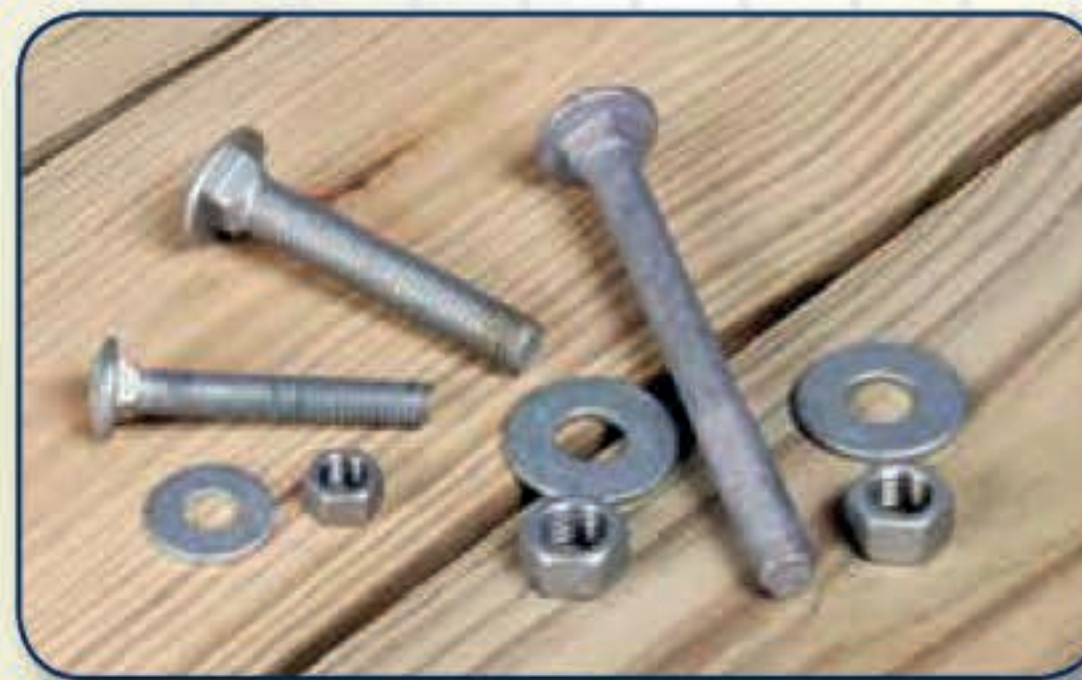


Standard & Commercial - 3/8" x 2" Part #24287  
Standard & Commercial - 3/8" x 3" Part #24289  
Standard & Commercial - 3/8" x 5" Part #24292

## Carriage Bolt Set

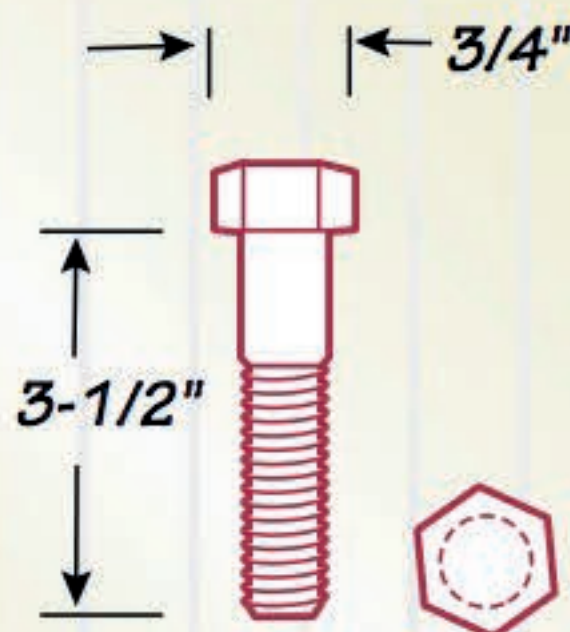


Set includes carriage bolt, flat washer and nut.  
Hot dip galvanized finish. Sold 8 per bag.



Standard Grade - 3/8" x 2-1/2" Part #26534  
Commercial Grade - 1/2" x 3" Part #26535  
Commercial Grade - 1/2" x 5" Part #26536

## Hex Head Bolt Set



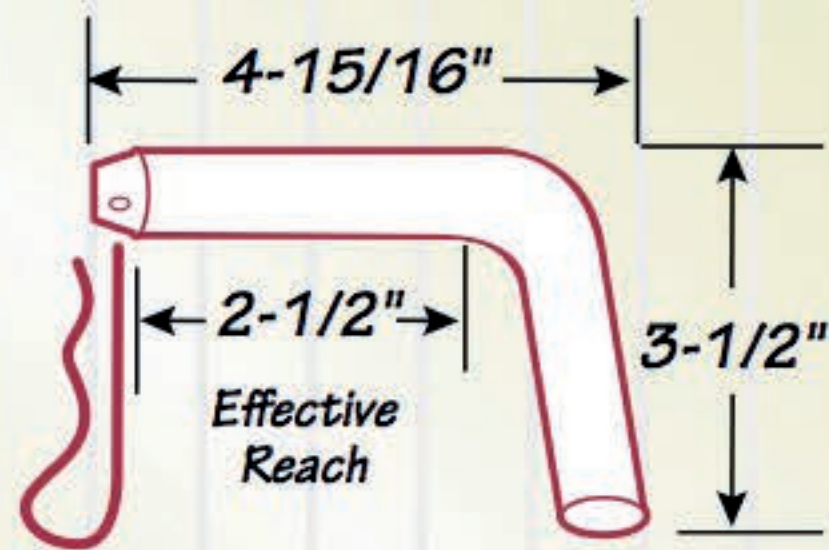
Includes nut. Used to connect male and female T connectors. Hot dip galvanized finish.  
Sold 8 per bag.



Standard Grade - 3/4" x 3-1/2" Part #24279



## Connector Pin Set



For quick disconnect. Used to connect male and female T connectors. Galvanized 3/4" connector pin and hitch clip pin.

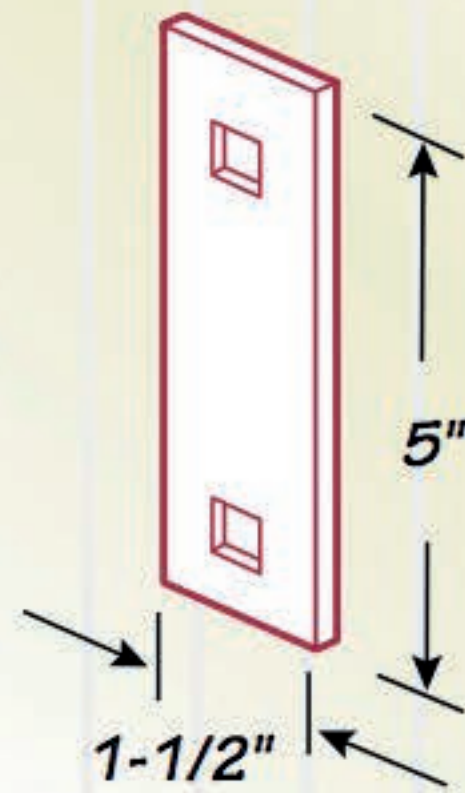


Standard Grade Part #26531

## Washer Plate

Standard Grade  
Part #24284

Commercial Grade  
Part #26409

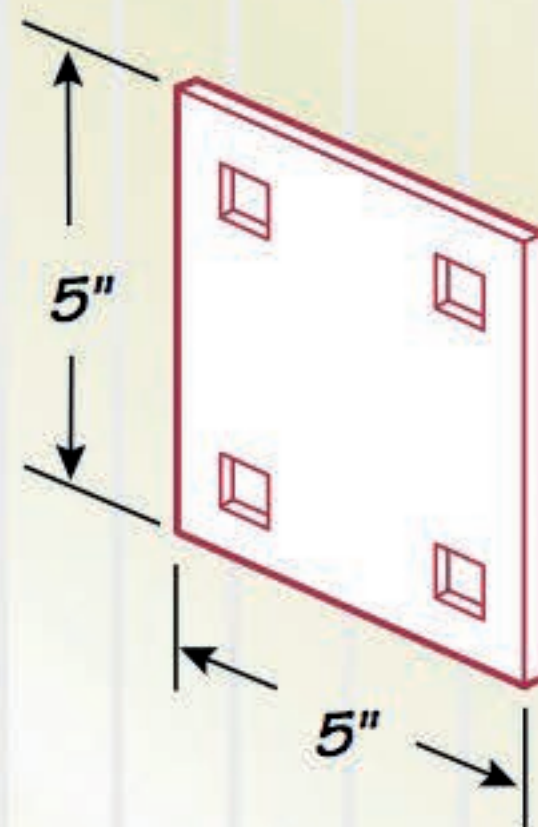


Use two washer plates with each angle.  
Measures 1-1/2"L x 5"H



## Back Up Plate

Commercial Grade  
Part #26413



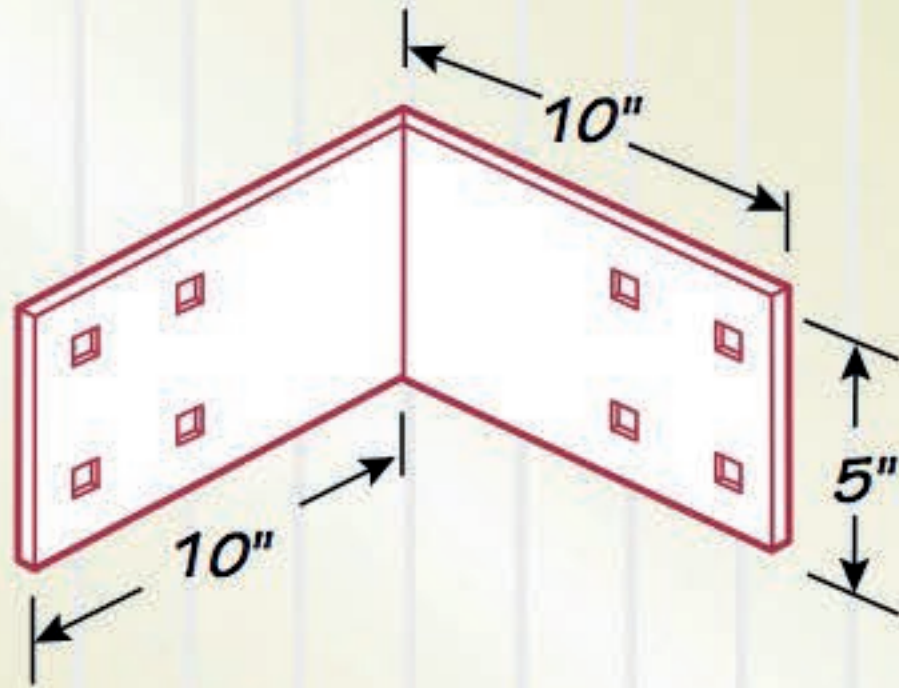
5"x 5" reinforcing plates are used to back up the single T males and females.





## Outside Corner End

Use this corner at ends of fingers and docks.  
Ideal for swim floats and ski jump corners.

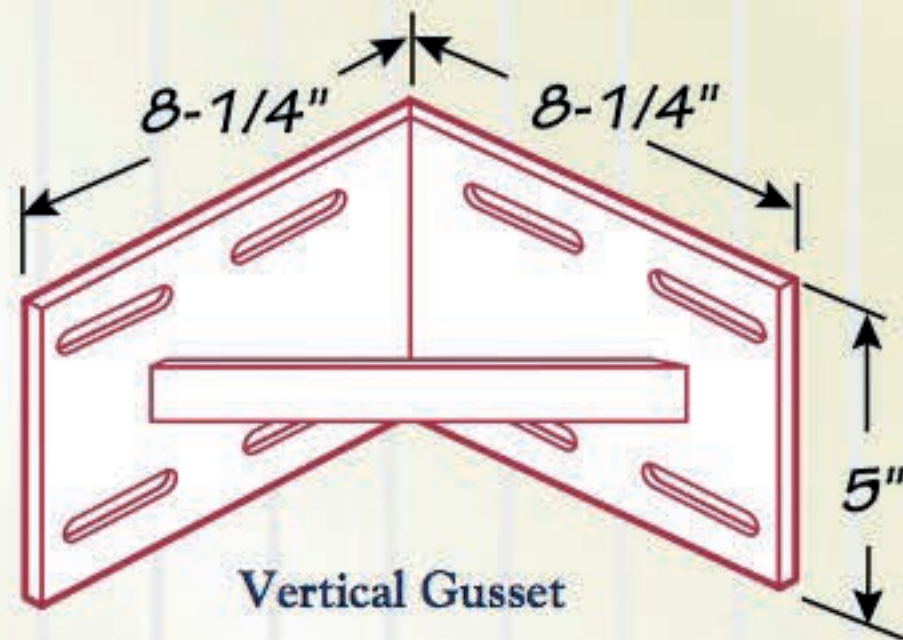


Standard Grade - 10"L x 5"H  
Commercial Grade - 10"L x 5"H  
Commercial Grade - 12-1/4"L x 5"H

Part #26523  
Part #26402  
Part #26428

## Inside Corner

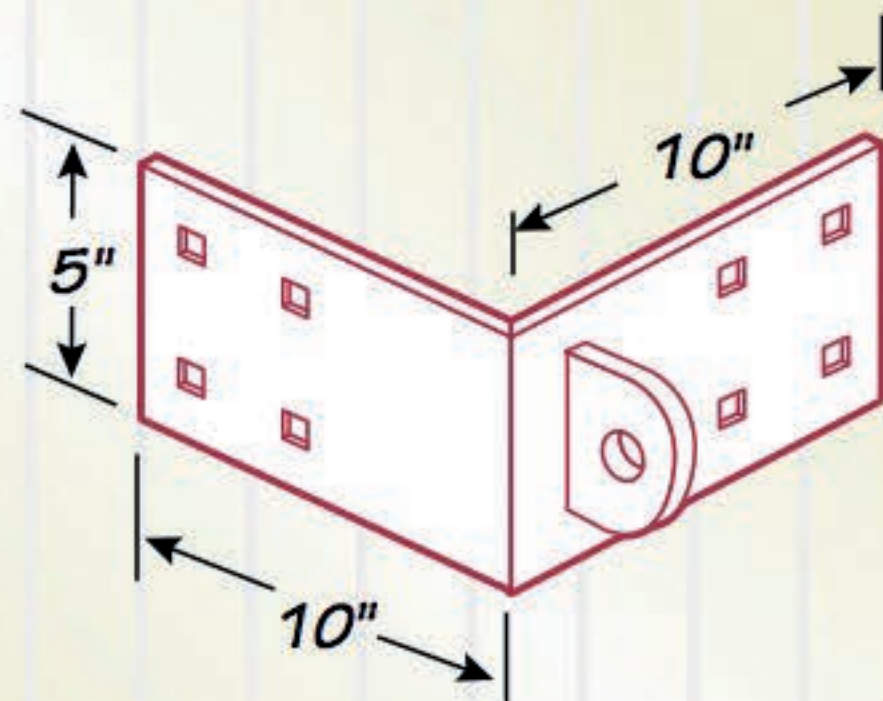
This heavy duty inside corner is used with  
outside corners.



Standard Grade	8-1/4"L x 5"H with 2" elongated holes and vertical gusset	Part #26524
Commercial Grade	8-1/4"L x 5"H with 2-1/4" elongated holes and horizontal gusset	Part #26403
Commercial Grade	8-1/4"L x 5"H with 3" elongated holes and horizontal gusset	Part #26417
Commercial Grade	8-1/4"L x 5"H with square holes and horizontal gusset	Part #26401
Commercial Grade	8-1/4"L x 5"H with 2-1/4" elongated holes and larger horizontal gusset	Part #26430
Commercial Grade	10-1/2"L x 5"H with 2-1/4" elongated holes and larger horizontal gusset	Part #26424

## Outside Corner/Male

Use with a female outside corner to connect  
docks end to end. Joint requires 3/4" bolt set  
or connector pin. Each leg is 10"L x 5"H.

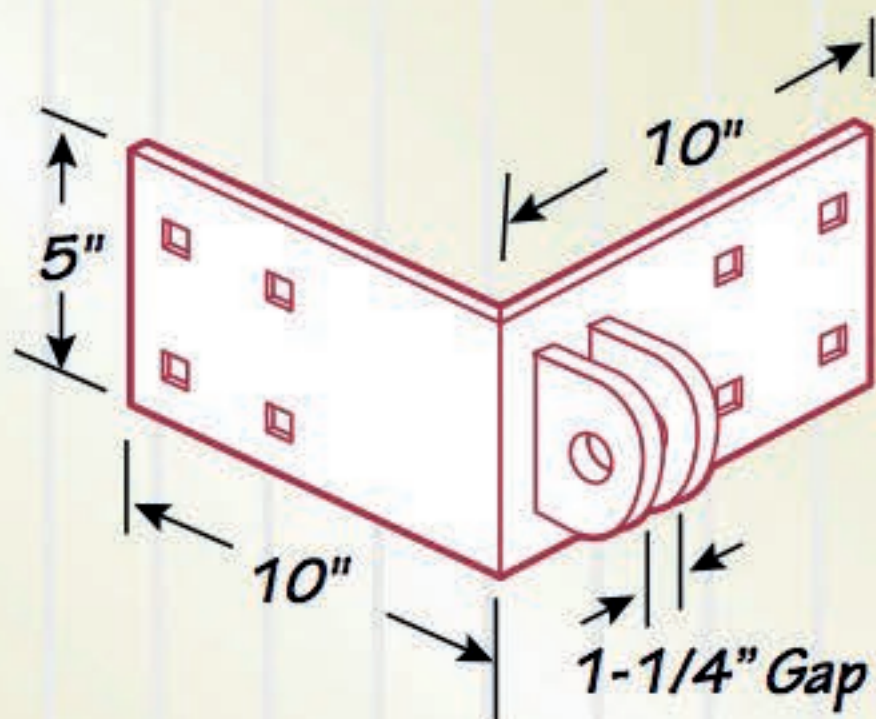


Standard Grade - 1/2" welded tab	Part #26522
Commercial Grade - 1/2" welded tab	Part #25491
Commercial Grade - 3/4" welded tab	Part #26418



## Outside Corner/Female

Use with a male outside corner.  
Each leg is 10"L x 5"H.



Standard Grade - 1/2" welded tabs    Part #26521  
Commercial Grade - 1/2" welded tabs    Part #26400

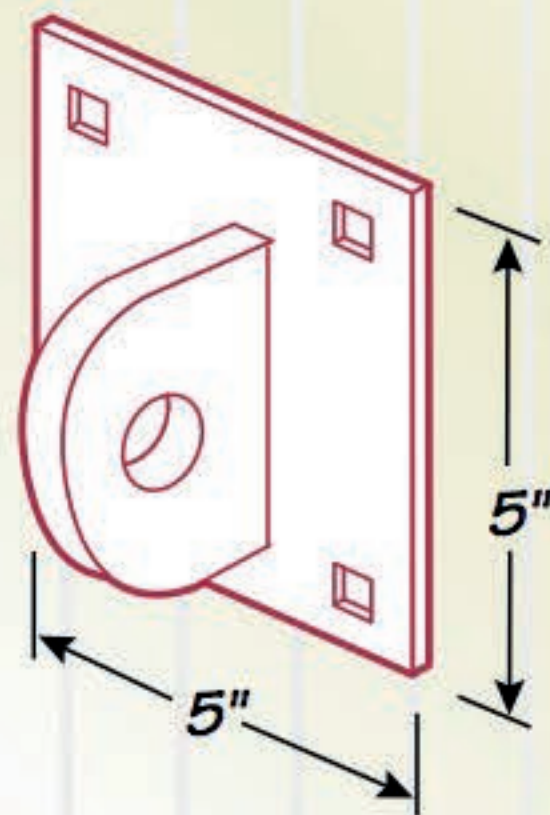
## Male T Connector

Has one welded 1/2" tab. Use with female T connector to attach fingers and ramps, 5"L x 5"H; 3/4" bolt set required for joint.

Standard Grade  
Part #26532

Commercial Grade  
Part #26408

Commercial Grade  
with 3/4" tab  
Part #26427

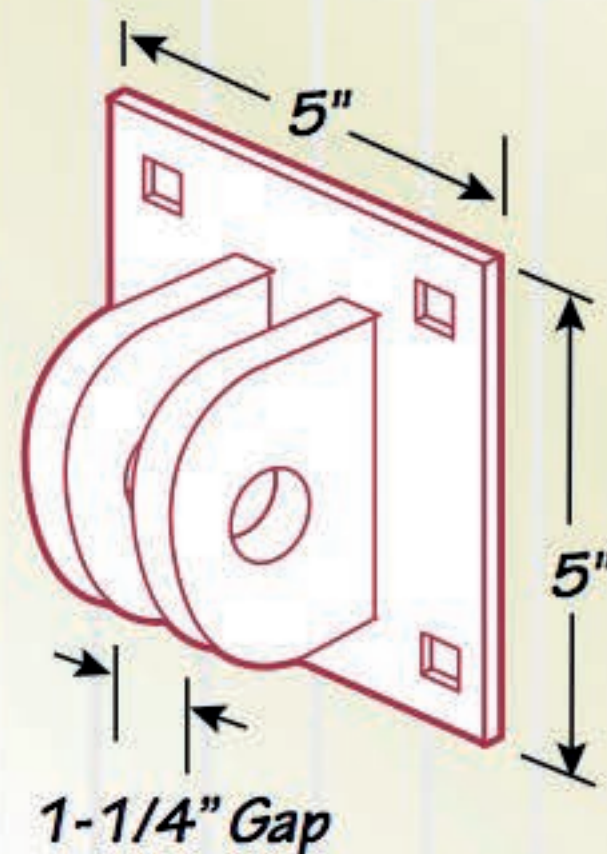


## Female T Connector

Has two welded 1/2" tabs. Bolts to side of dock to attach fingers and ramps.  
Measures 5"L x 5"H.

Standard Grade  
Part #26528

Commercial Grade  
Part #26407

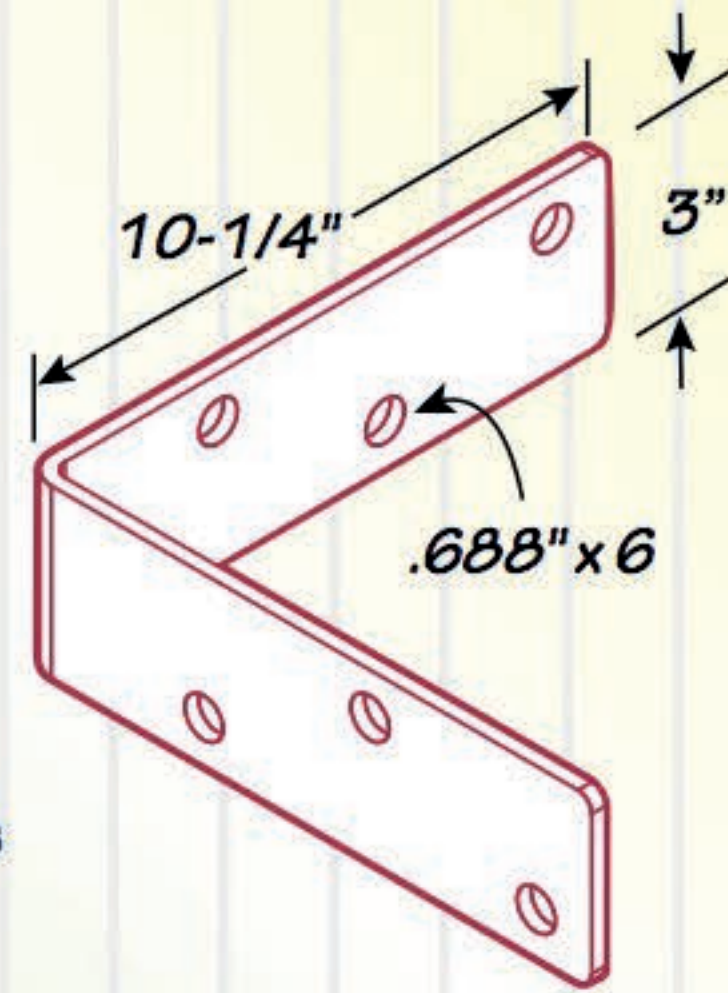




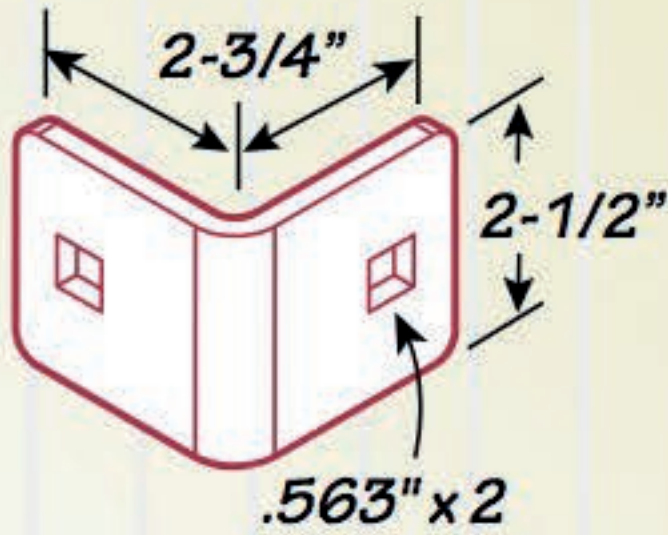
# Angle Brackets/Clips



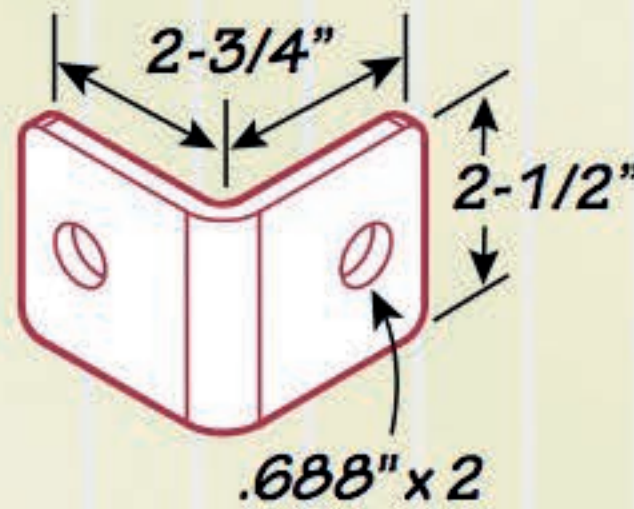
Use these heavy-duty angles for all cross supports.



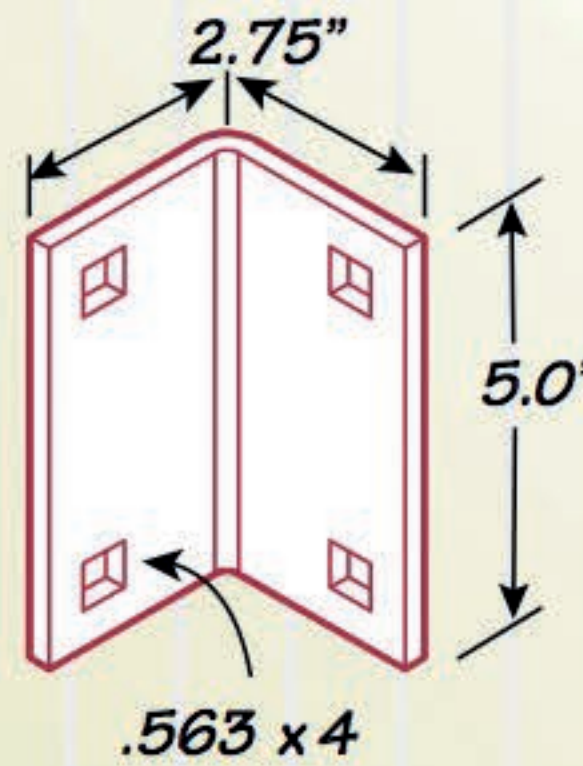
Commercial Grade  
10"L x 3"H, 3 holes  
Part #26379



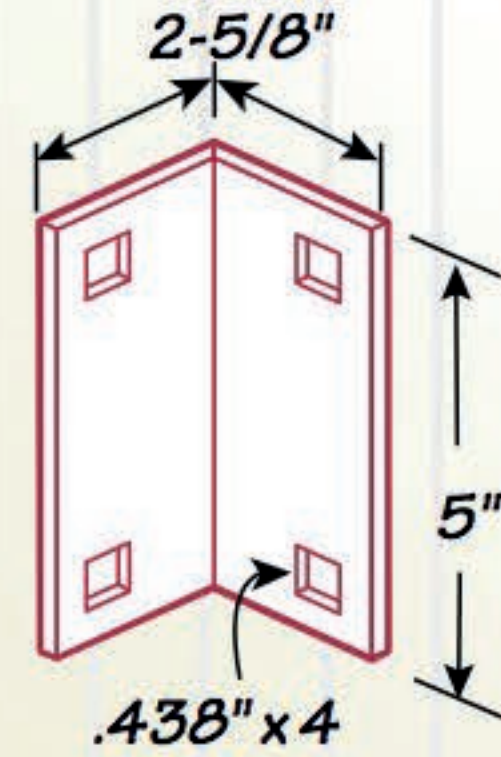
Commercial Grade  
2-1/2"L x 2-1/2"H  
Part #26399



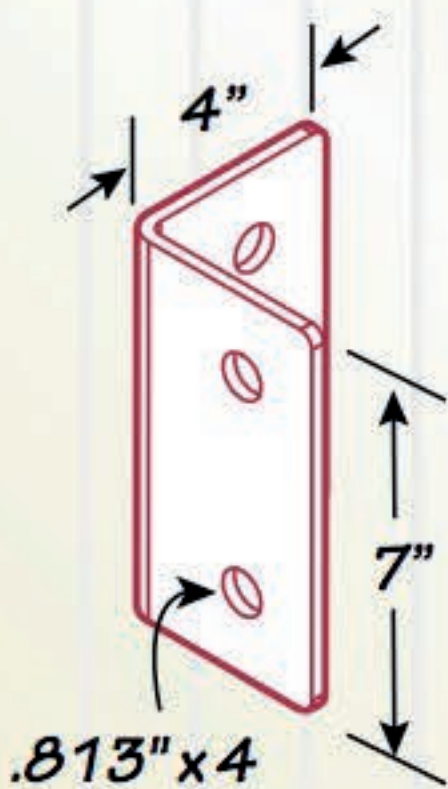
Commercial Grade  
2-3/4"L x 2-1/2"H  
Part #26392



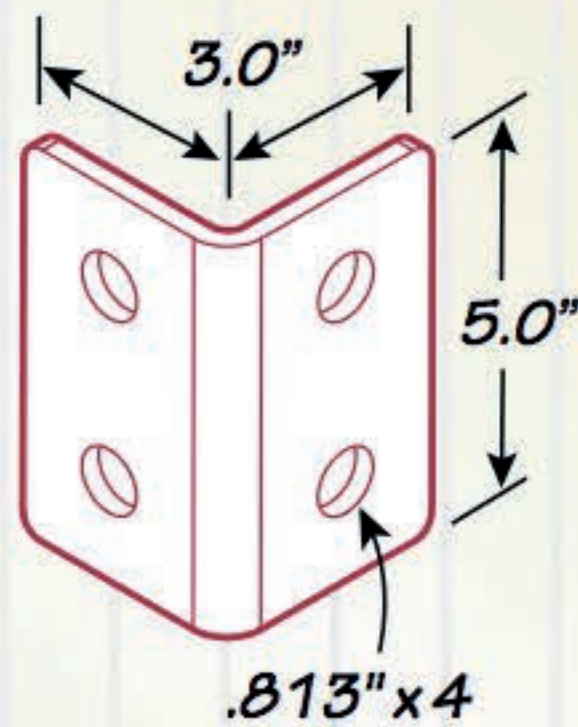
Commercial Grade  
2-1/2"L x 5"H  
Part #26406



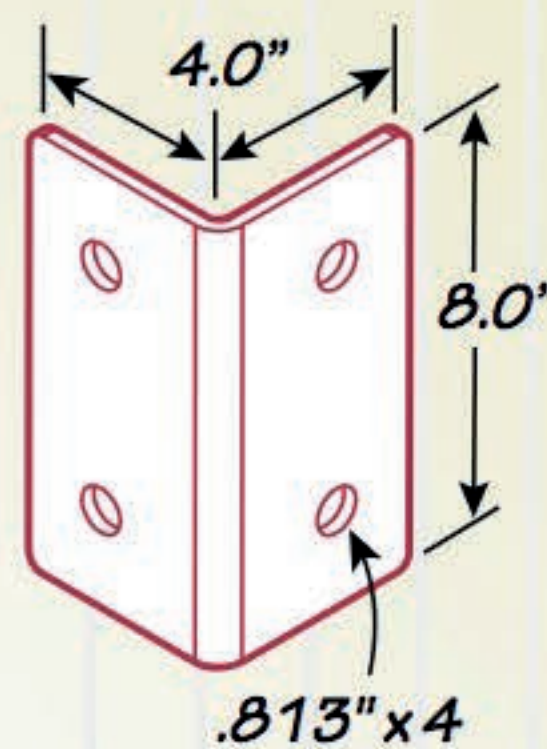
Standard Grade  
2-1/2"L x 5"H  
Part #26527



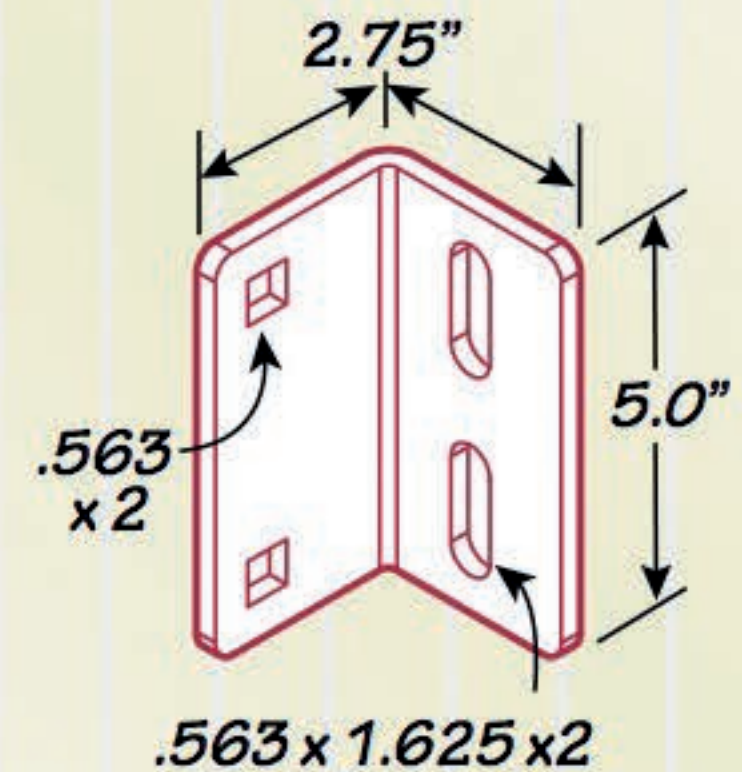
Commercial Grade  
4"L x 7"H  
Part #26380



Commercial Grade  
3"x 3"x 5"H  
Part #26398



Commercial Grade  
4"L x 8"H  
Part #26397



Cleat Angle  
Commercial Grade  
2-3/4"L x 5"H  
Part #26422

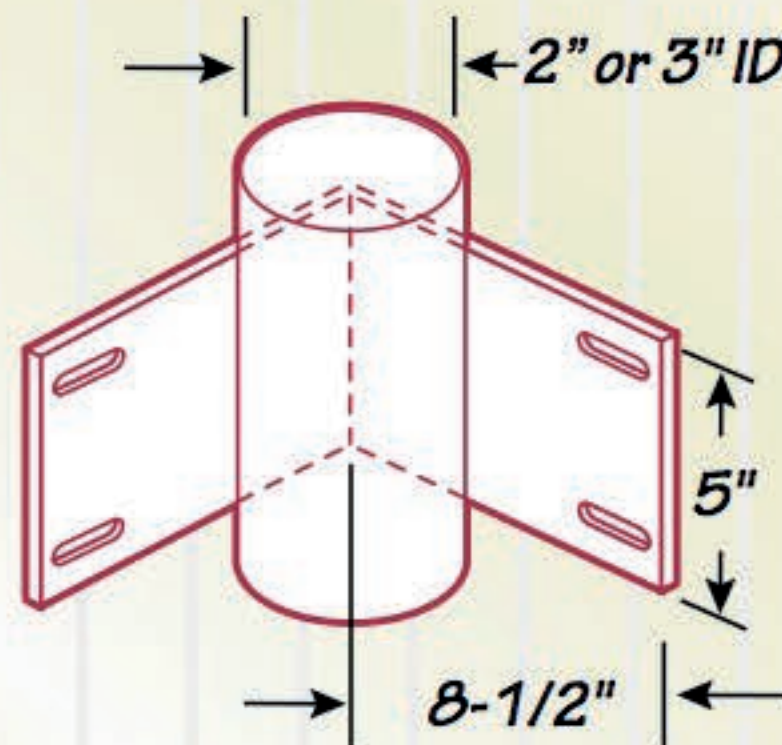


## Inside Corner Pipe Holder

Inside Corner  
Pipe Holder 2"  
Standard Grade  
Part #26526  
Commercial Grade  
Part #26405

Inside Corner  
Pipe Holder 3"  
Standard Grade  
Part #26525  
Commercial Grade  
Part #26404

These heavy duty inside corner pipe holders can be used with one of the outside corner brackets. Tie Down offers both standard and commercial versions of 2" ID or 3" ID pipe holders. Measures 8-1/2" L x 5" H. Requires carriage bolt set for attaching.

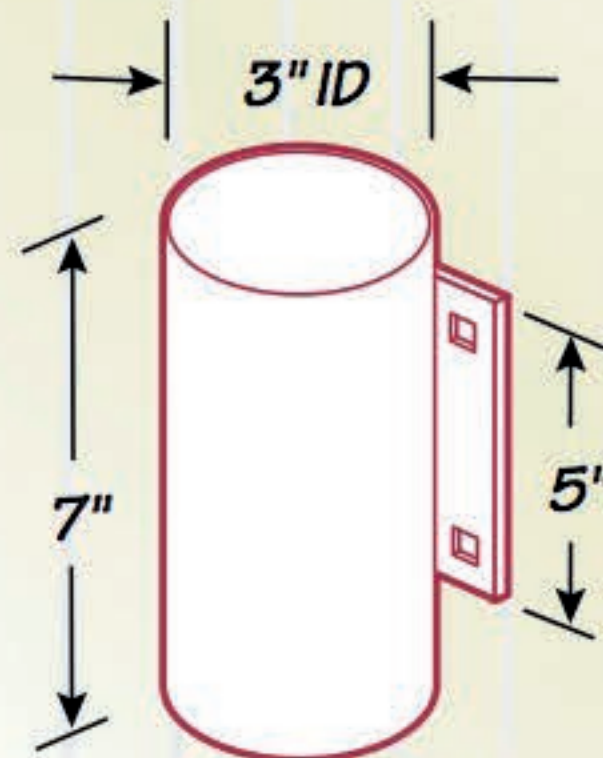


## Outside Pipe Holder

Standard Grade  
Part #24280

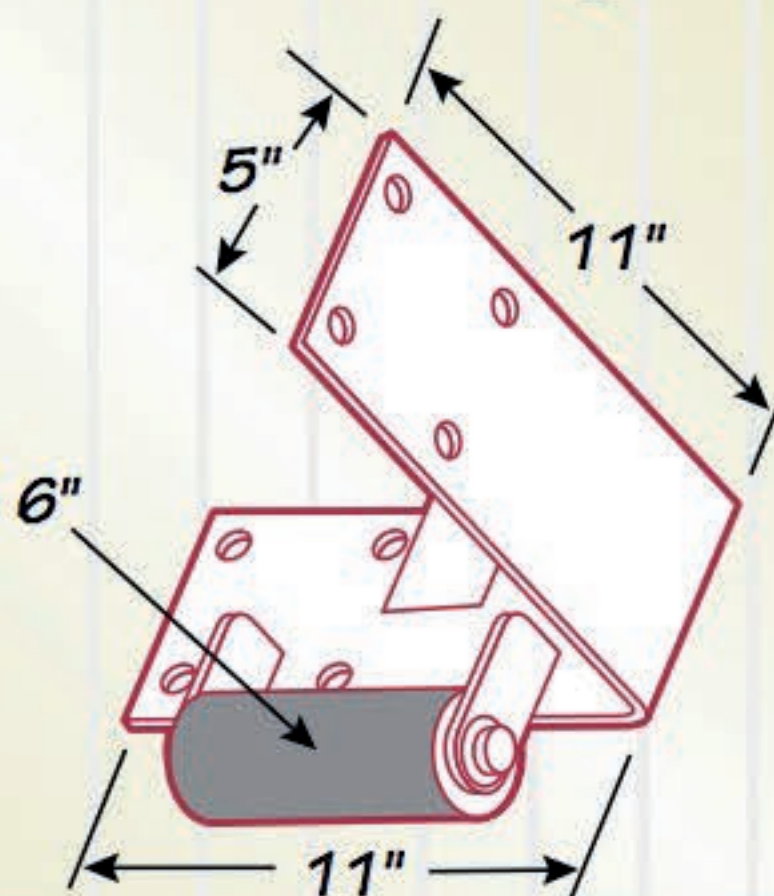
Commercial Grade  
Part #26411

Pipe Holder bolts to the outside of the dock. Carriage bolt set required for attaching. Pipe Holder has a 3" ID for use with 2" pipe to hold dock in place.



## Inside Rolling Ramp Bracket

5" x 11" x 1/4" galvanized steel,  
left and right ramp brackets included.



Commercial Grade Part #26431

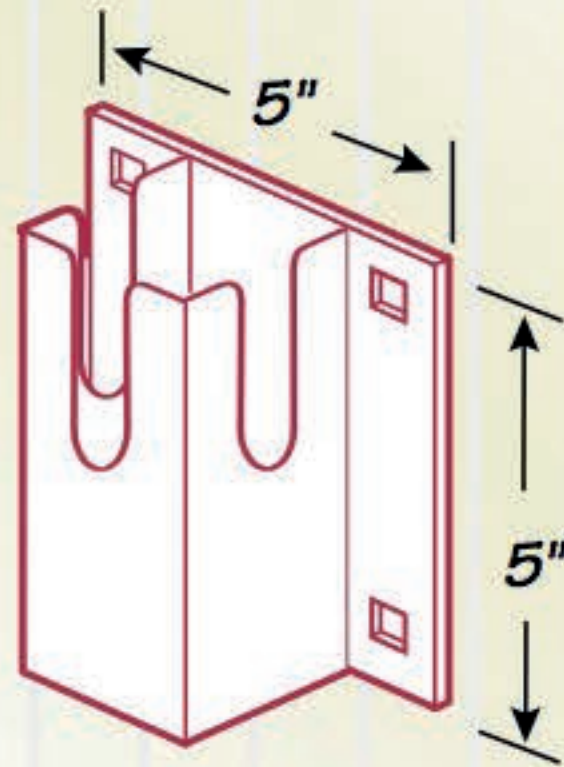


## Chain Retainer

Bolts to side of dock. Use weights and chains to hold dock in place. Accommodates 1/4", 3/8", & 1/2" chain.

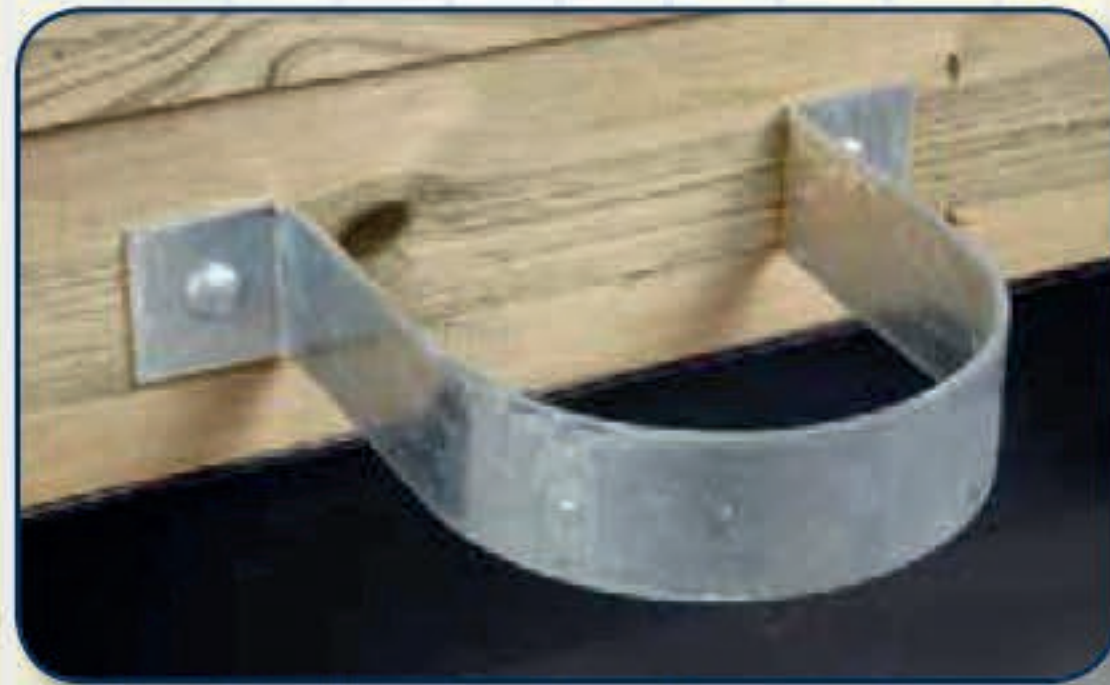
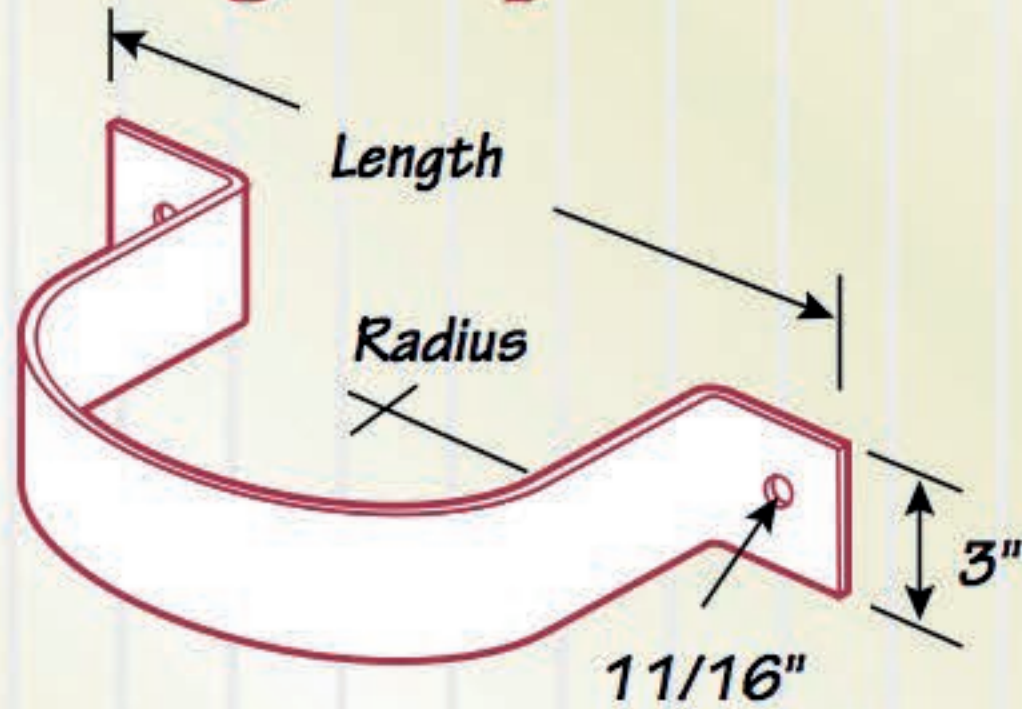
Standard Grade  
Part #26529

Commercial Grade  
Part #26410



## Piling Hoop

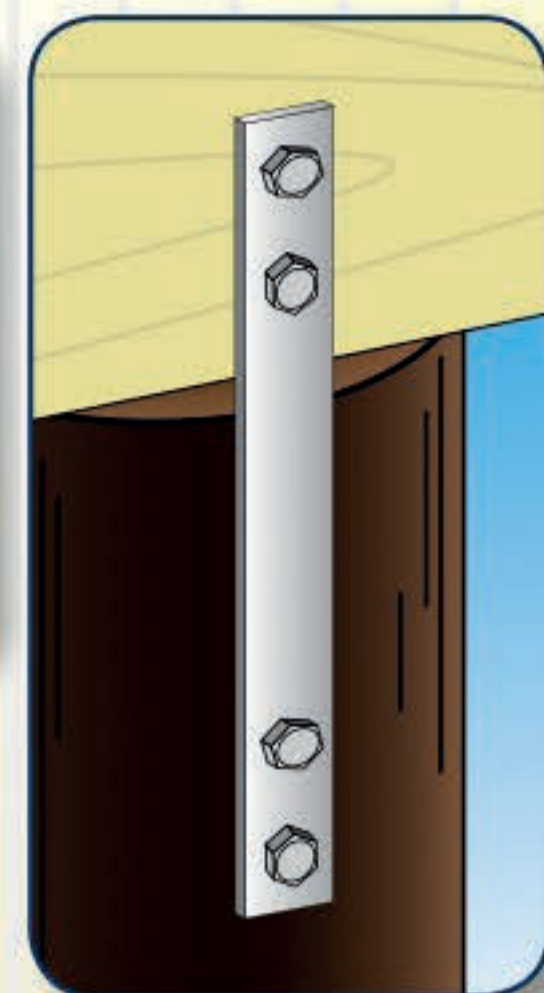
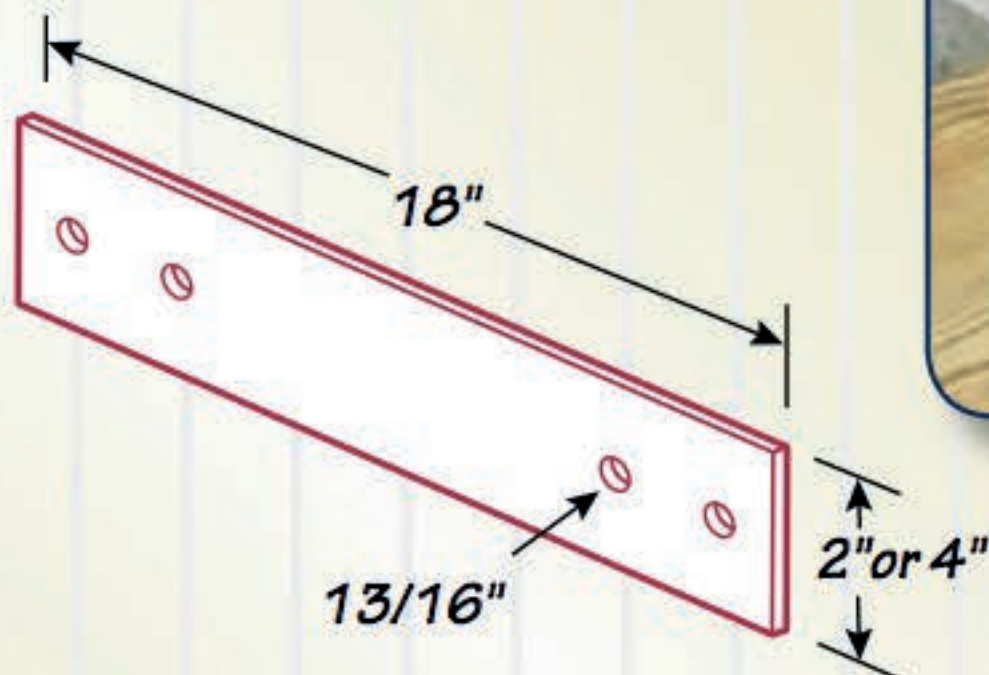
Heavy Duty 1/4" galvanized steel x 3" high



Commercial Grade 14"x 3" with 4" radius for 8" Piles  
 Commercial Grade 16"x 3" with 5" radius for 10" Piles  
 Commercial Grade 18"x 3" with 6" radius for 12" Piles  
 Commercial Grade 20"x 3" with 7" radius for 14" Piles

Part #26429  
 Part #26391  
 Part #26394  
 Part #26393

## Backing Plate/ Hurricane Strap

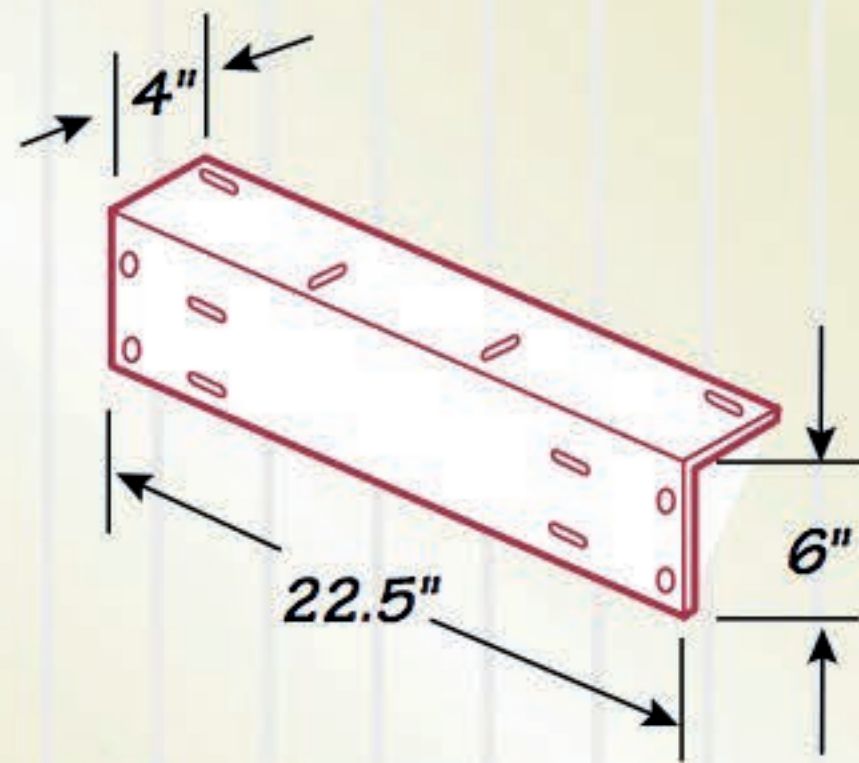


Standard Grade - 2" x 18" x 7 ga. Part #26369  
 Standard Grade - 4" x 18" x 7 ga. Part #26396



## Deck Plate

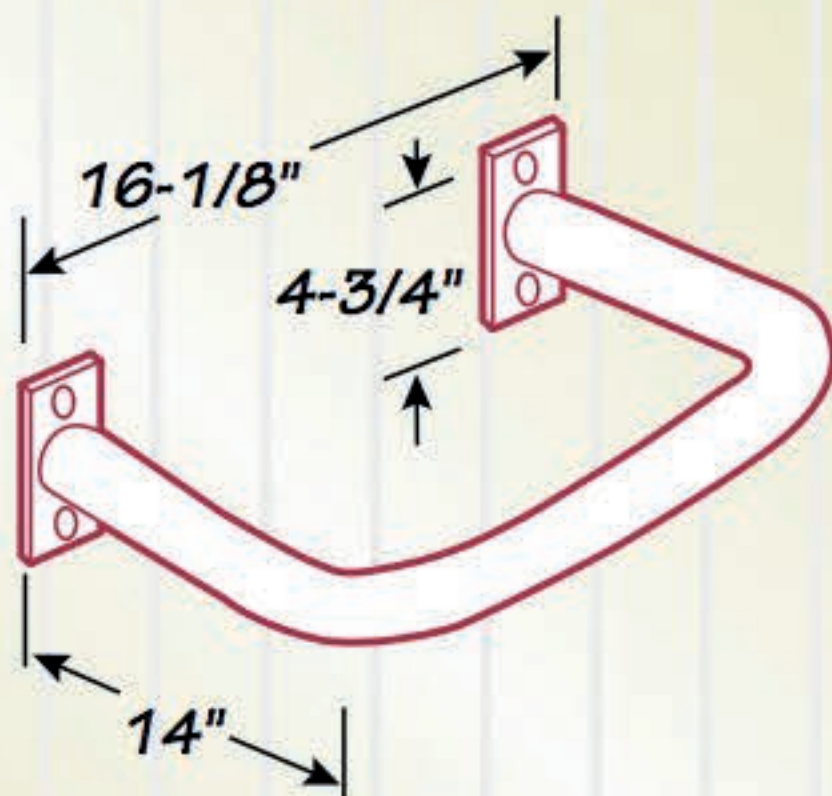
Heavy Duty Deck Plate for use with piling hoop. This 3/16" thick 4"x 6" angle can be bolted from the top and side of the dock. The hoop can then be bolted to the angle, allowing it to be removed seasonally.



Commercial Grade Part #26416

## Piling Hoop

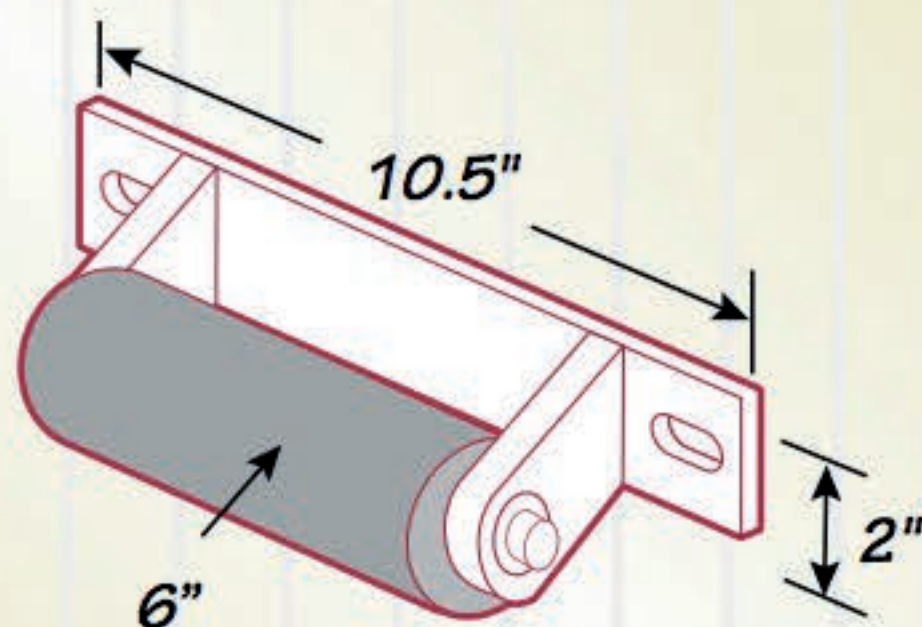
Heavy Duty Piling Hoop for pilings up to 12" in diameter. The hoop is constructed of 1-1/2" pipe and is hot dip galvanized. It can be bolted directly to the side of the dock or to the optional Deck Plate (Part #26416).



Commercial Grade Part #26412

## Roller Assembly

Heavy Duty Roller Assembly - Bracket and roller bolt directly to the deck plate (Part #26416) and can be added to aid up-and-down motion of the dock in areas with tidal action. The 6" roller turns on a 5/8" diameter shaft and the 3/8" bracket is hot-dipped galvanized.

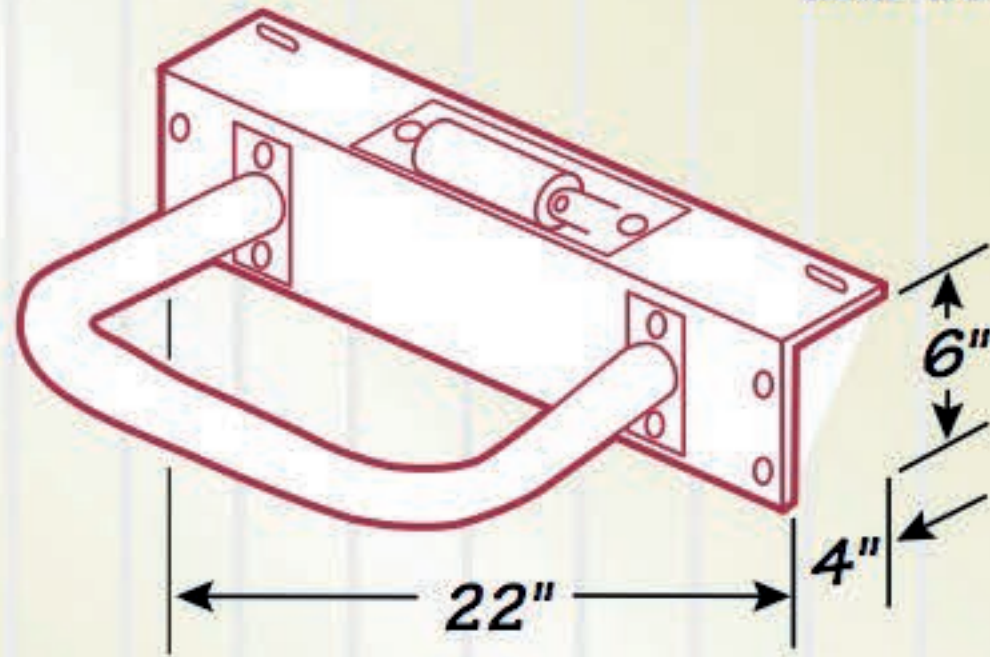


Commercial Grade Part #26414



## Piling Hoop and Roller

Piling Hoop and Roller Assembly intended for areas with lots of wind, current, or tidal action. Combines the piling hoop (Part #26412) and roller assembly (Part #26414) to make up and down movement easier. For pilings up to 12" in diameter.



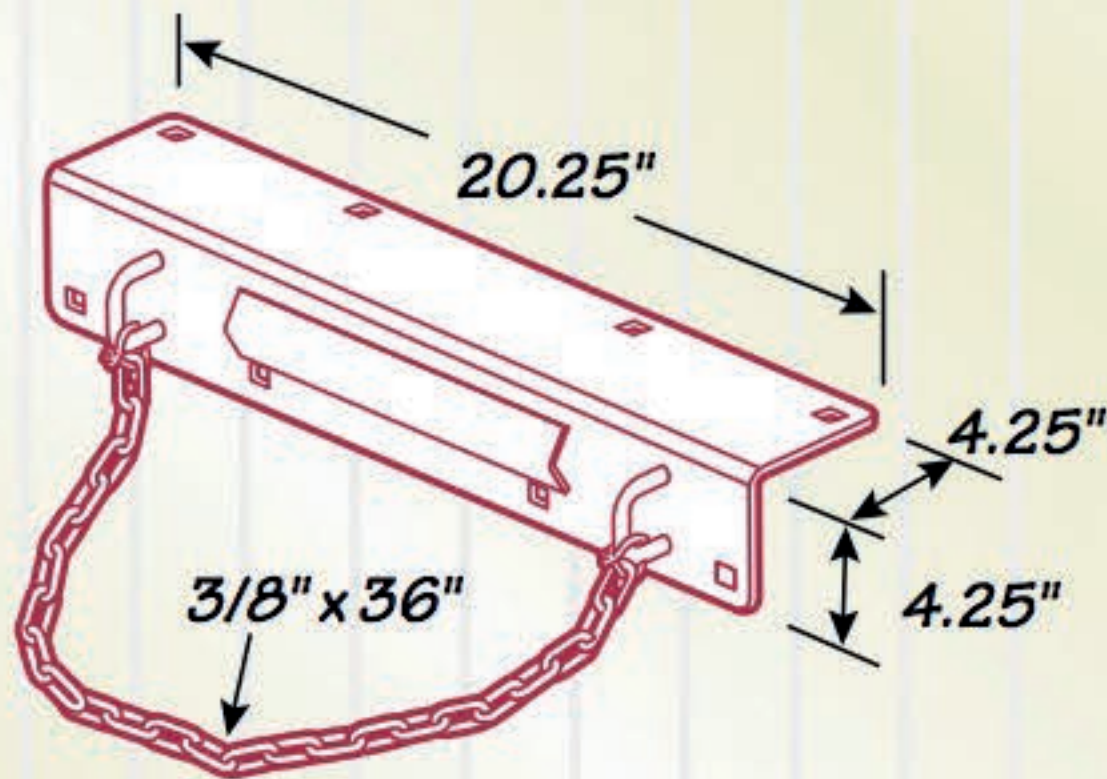
Commercial Grade

Part #26415



## Chain Pile Holder

For use as a pile holder with 3/8" galvanized chain and shackles. Can be adjusted for various pile diameters. 20-1/4" x 4-1/4" x 4-1/4" x 1/4" Steel

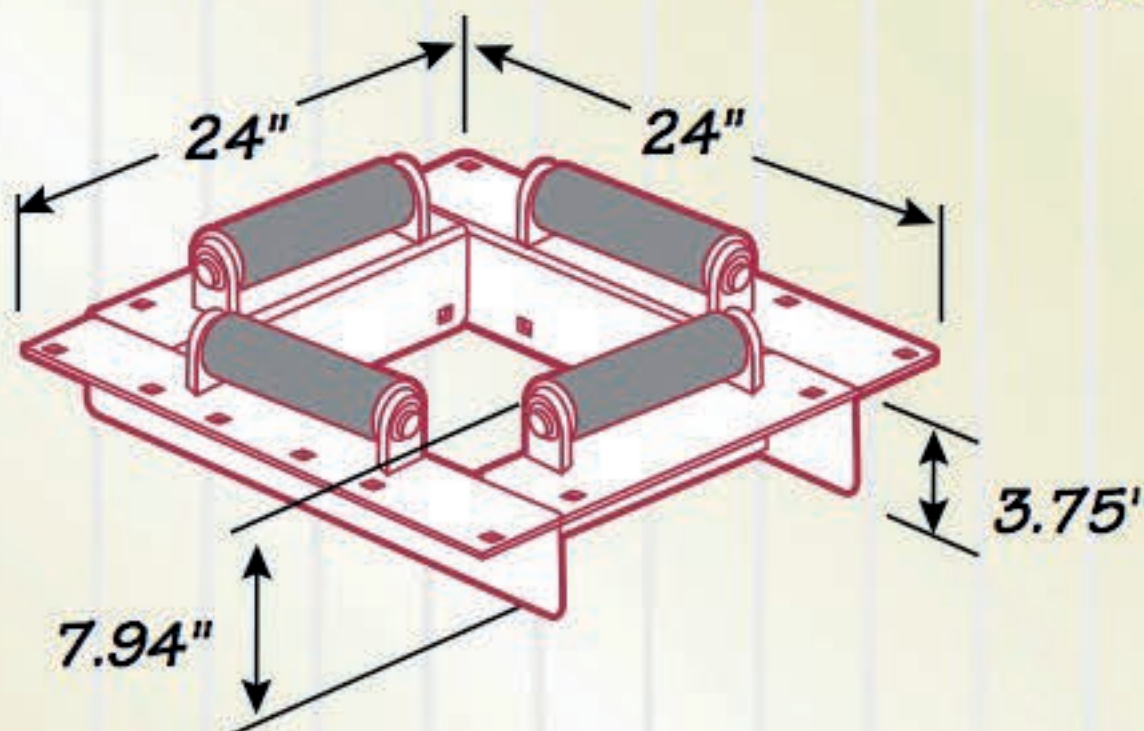


Commercial Grade

Part #26419

## 14" Internal Pile Holder

The interior width of 14", pile holder will allow it to be used with piling up to 13-1/2" in diameter. Four 6" rubber rollers allow dock movement for usage in tidal areas or where water levels change. Overall dimensions of part are 24" x 24" x 7-15/16".



Dock cut out: 16-3/4" x 16-3/4"



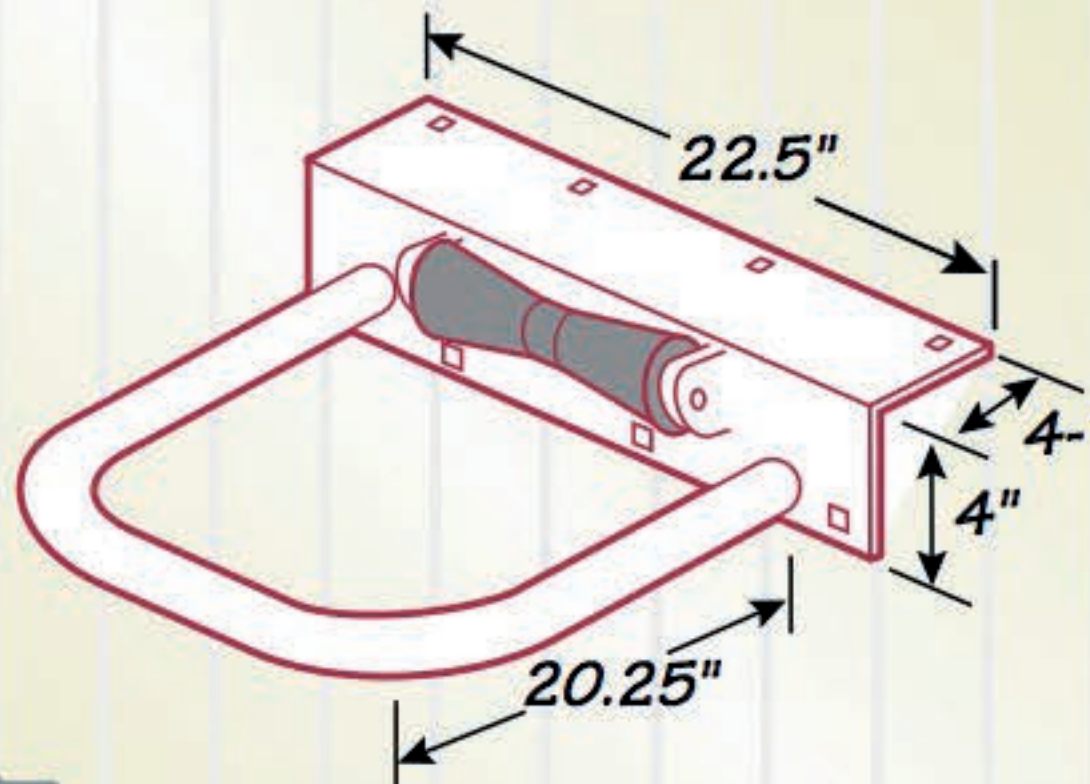
Commercial Grade

Part #26434



## 14" Hoop Roller Pile Holder

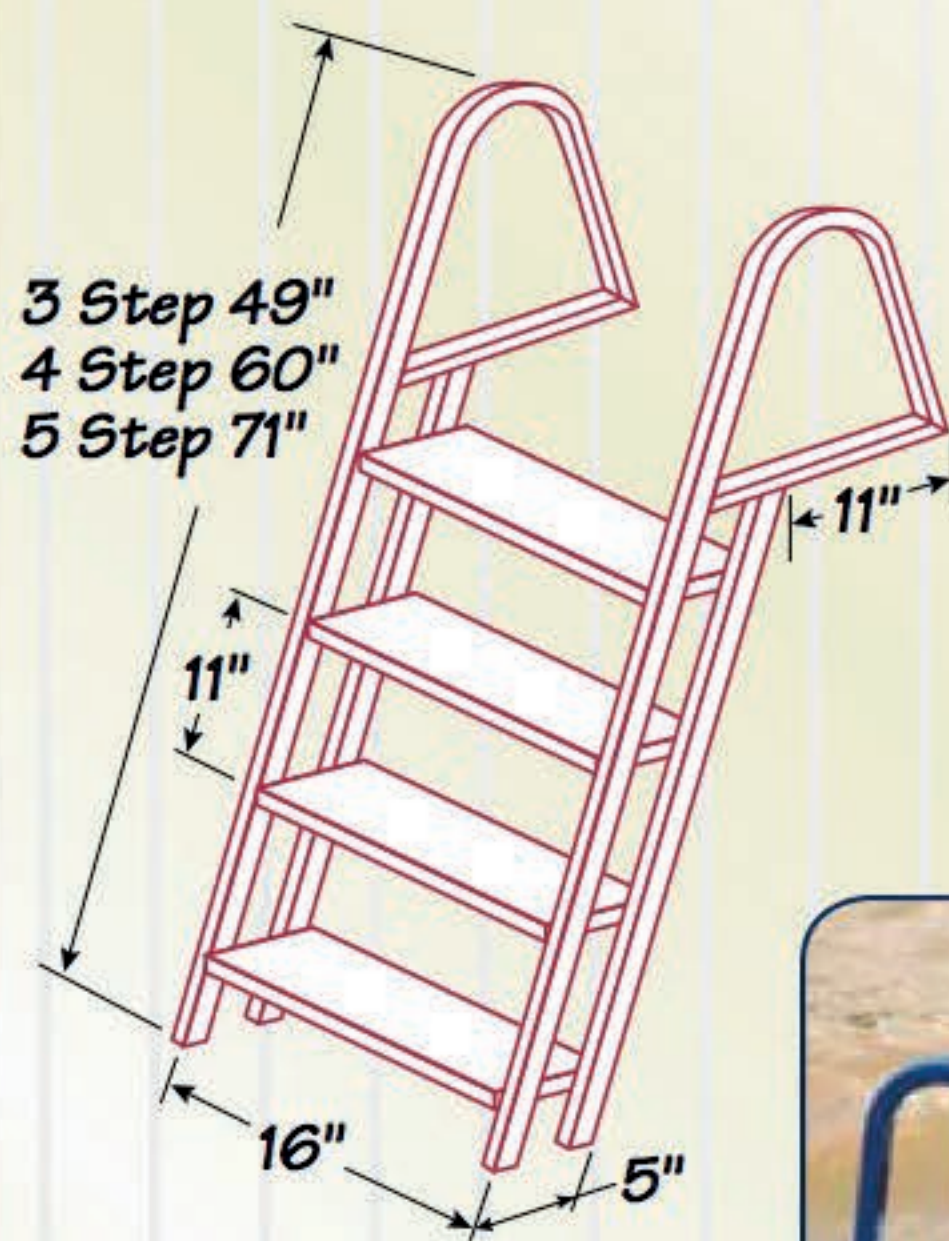
With a 14-1/2" interior width this pile holder can be used with piling up to 14" in diameter. A 12" durable poly-vinyl roller mounted on a 1-1/4" diameter shaft will provide years of service. Overall dimensions of part are 24-1/4" x 4-1/4" x 22-1/2".



Commercial Grade Part #26423

## Dock Ladders

Comes in two finishes; blue powder coat and galvanized (silver finish); three sizes - 3 step, 4 step, and 5 step. Powder coat provides a tough durable finish. Steps are galvanized or powder coated for extra protection. Galvanized version protects against rust and corrosion in salt water. 250# capacity



Speed Release



Blue Powder Coat Part #	Description	Galvanized Part #
27273	3 Step Ladder	28273
27274	4 Step Ladder	28274
27275	5 Step Ladder	28275
N/A	Speed Release	27271



# DOCK SIDES

## Dock Products That Make Your Dock a Destination



The Dock Sides product line consists of a receiver component which is mounted to the dock or deck and a series of mounting attachments which can be quickly attached to and removed from the receiver. The mounting attachments will provide easy mounting for a growing number of dock and deck accessories. Since the Dock Sides system mounts under the dock or deck, and the attachments are mounted off the side of the dock, no valuable dock or deck space needs to be taken up by the accessories.

The Dock Sides system eliminates on dock clutter which enhances safety. When Dock Sides attachments are not in use, there are no sharp brackets protruding to get in the way of boat docking, swimming, or other activities.

### Corrosion Protection

All Dock Side components are available in either a Hot Dipped Galvanized or a premium GalvX Dual Coat finish.

- Hot Dipped Galvanization provides time proven corrosion protection for metal components even in the harshest salt water conditions.
- GalvX Dual Coat is a combination of an inner layer of high performance epoxy technology with state-of-the-art corrosion resistance (ASTM B117) and an outer layer of electrostatically applied powder coat providing a hard finish which is tougher than conventional paint. GalvX Dual Coat is suitable for use with aluminum docks.

These finishes are designed to provide great looks while resisting the long term effects of sun and weather.





## Slotted Receiver

The Slotted style receiver mounts to the side and underside frame of wood and certain metal style docks and decks. It is secured in place by lag screws and by through bolts. Includes one slotted receiver.



Hot Dipped Galvanized  
GalvX Dual Coat

Part #86920  
Part #86902



## Slotted Receiver With Cross Beam

The Slotted style receiver coupled with the cross beam mounting bracket provides a secure mounting solution for solid side rail docks. Slotted receiver with cross beam for 4 ft. wide docks, includes one slotted receiver with cross beam.



Hot Dipped Galvanized  
GalvX Dual Coat

Part #86919  
Part #86901



## Clamp Receiver With Cross Beam

The Clamp style receiver easily slides onto the bottom rail of truss style docks and is secured in place by tightening set screws. Clamp receiver with cross beam for 4 ft. wide docks, includes one clamp receiver with cross beam.



Hot Dipped Galvanized  
GalvX Dual Coat

Part #86918  
Part #86900



## Cross Beam Extension

Cross Beam 28" Extension - Extends 4 ft. cross beams for use with 6 ft. wide docks.

Hot Dipped Galvanized  
GalvX Dual Coat

Part #86934  
Part #86916





## Kayak Racks

Single and Dual Kayak Racks offer a convenient method to store up to two kayakers alongside your dock with easy launching and retrieval. Kayakers are securely stored where you want them without sacrificing valuable dock space.

### Single Kayak Rack (a)

Includes two towers and racks.

Requires two receivers.

Hot Dipped Galvanized Part #86921

GalvX Dual Coat Part #86903



### Horizontal Kayak Rack (b)

Includes two towers and racks.

Requires two receivers.

Hot Dipped Galvanized Part #86923

GalvX Dual Coat Part #86905



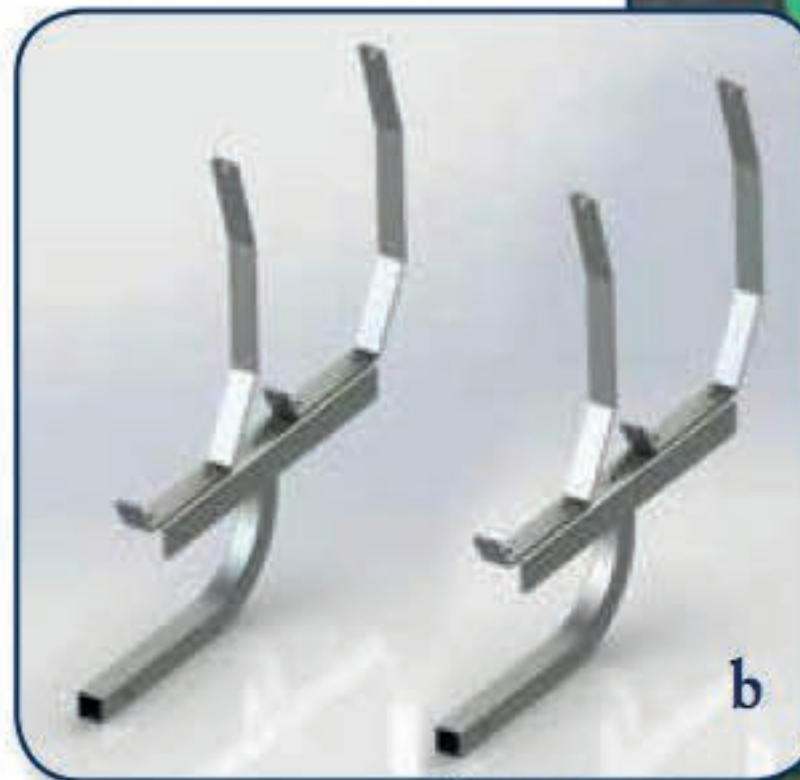
### Vertical Kayak Rack (c)

Includes two towers and racks.

Requires two receivers.

Hot Dipped Galvanized Part #86922

GalvX Dual Coat Part #86904







## Canoe Racks

The Dock Sides Canoe Rack provides secure and convenient storage for a canoe. The location of the rack offers secure storage for a single canoe. Canoe stores upside down and tie down points in the rack allow it to be secured with straps or cords. Includes two towers and racks. Requires two receivers.

Hot Dipped Galvanized  
GalvX Dual Coat

Part #86924  
Part #86906

## Dock Box Mounts

Dock Box Mount Attachments provide a sturdy mounting platform for easily adding a storage box to your dock without taking up space or blocking movement up and down the dock and finger piers. Includes two box attachment mounts. Requires two receivers.

Hot Dipped Galvanized Part #86925  
GalvX Dual Coat Part #86907



Dock Box  
not included



## Outdoor Entertainment Center

The Outdoor Entertainment Center provides the perfect compliment for outdoor gatherings on the dock or deck. The entertainment center offers the convenience of cold storage, prep and cutting surfaces along with beverage holders. Includes one tower and support structure. Requires one receiver.

Hot Dipped Galvanized  
GalvX Dual Coat

Part #86926  
Part #86908



Ice chest  
not included



## Bench Structure

The Dock Side Bench Structure provides seating for your dock or deck without taking up valuable surface area. Requires two receivers.

Hot Dipped Galvanized  
GalvX Dual Coat

Part #86928  
Part #86910

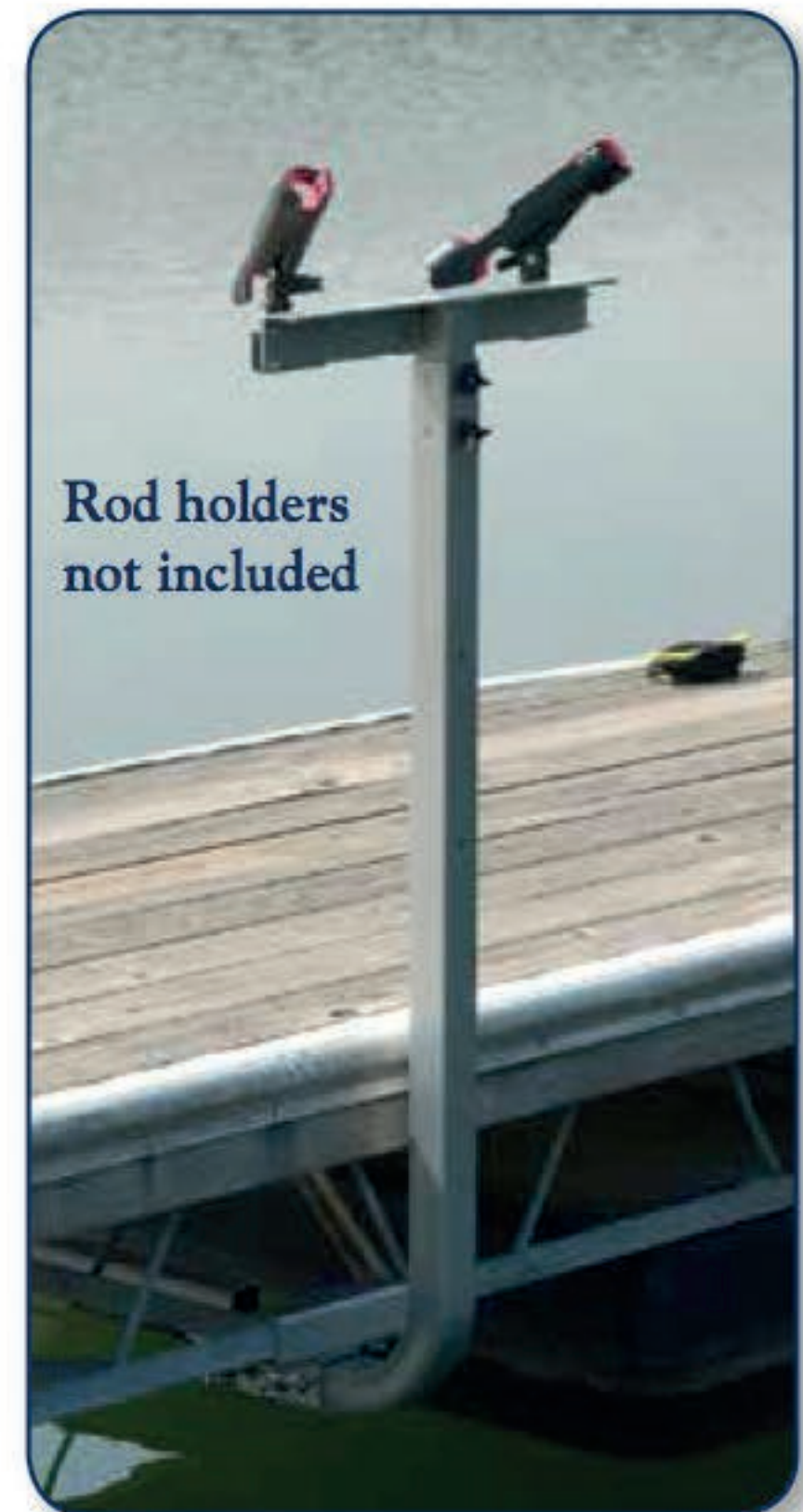


## Rod Holder

The Rod Holder provides space for up to three rod holders. Includes one tower and support structure. Requires one receiver.

Hot Dipped Galvanized  
GalvX Dual Coat

Part #86927  
Part #86909



## Grill Stands and Mounting Bases

Dock Sides Mounting Bases, Grill Mounts and Table Mounts provide convenient, secure and safe stands for connecting your favorite accessories to the dock or deck. A Dock Side Receiver and the Base or Mount of your choice place your umbrella, grill or table where you want it and near the fun. Dock Sides offers multiple Mounting Base options that allow use of the popular umbrella, dock shower, grill and table/cutting board brands.



Shower not included





## Mounting Bases

Mounting Base - Stand (d)

Requires one receiver

Mounting Base - Magma Grill Dual (e)

Requires one receiver

Mounting Base - Magma Grill Kettle (f)

Requires one receiver

Mounting Base - Magma Grill Single

Requires one receiver

Mounting Base - Magma Table Dual (g)

Requires one receiver

Mounting Base - Force 10/Kuuma Grill Mount (h)

Requires one receiver

Hot Dipped  
Galvanized

Part #

86929

86930

86931

86932

86933

86935

GalvX  
Dual Coat\*

Part #

86911

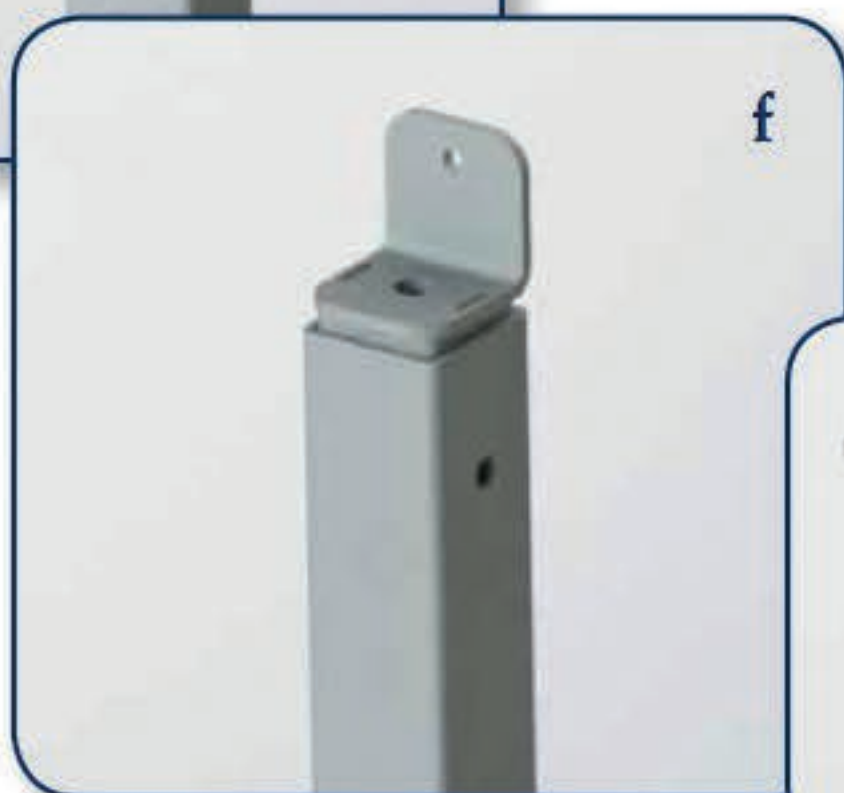
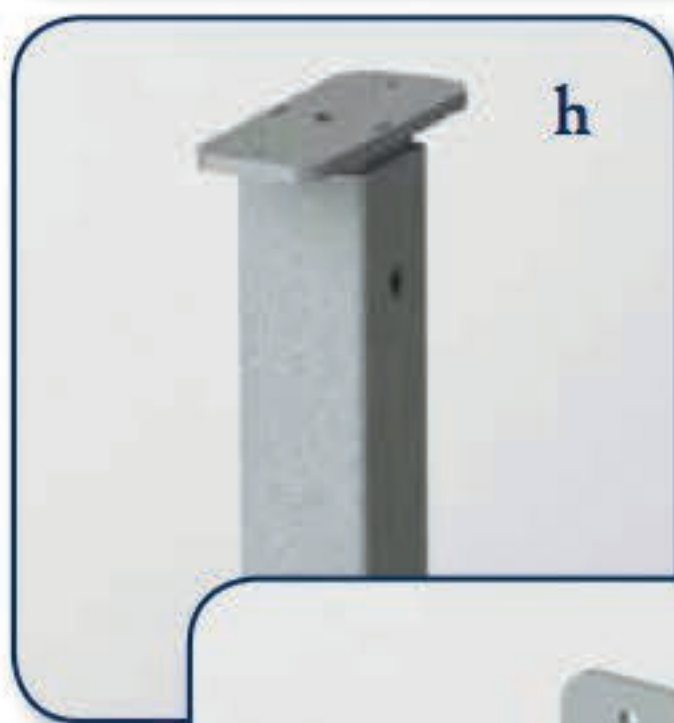
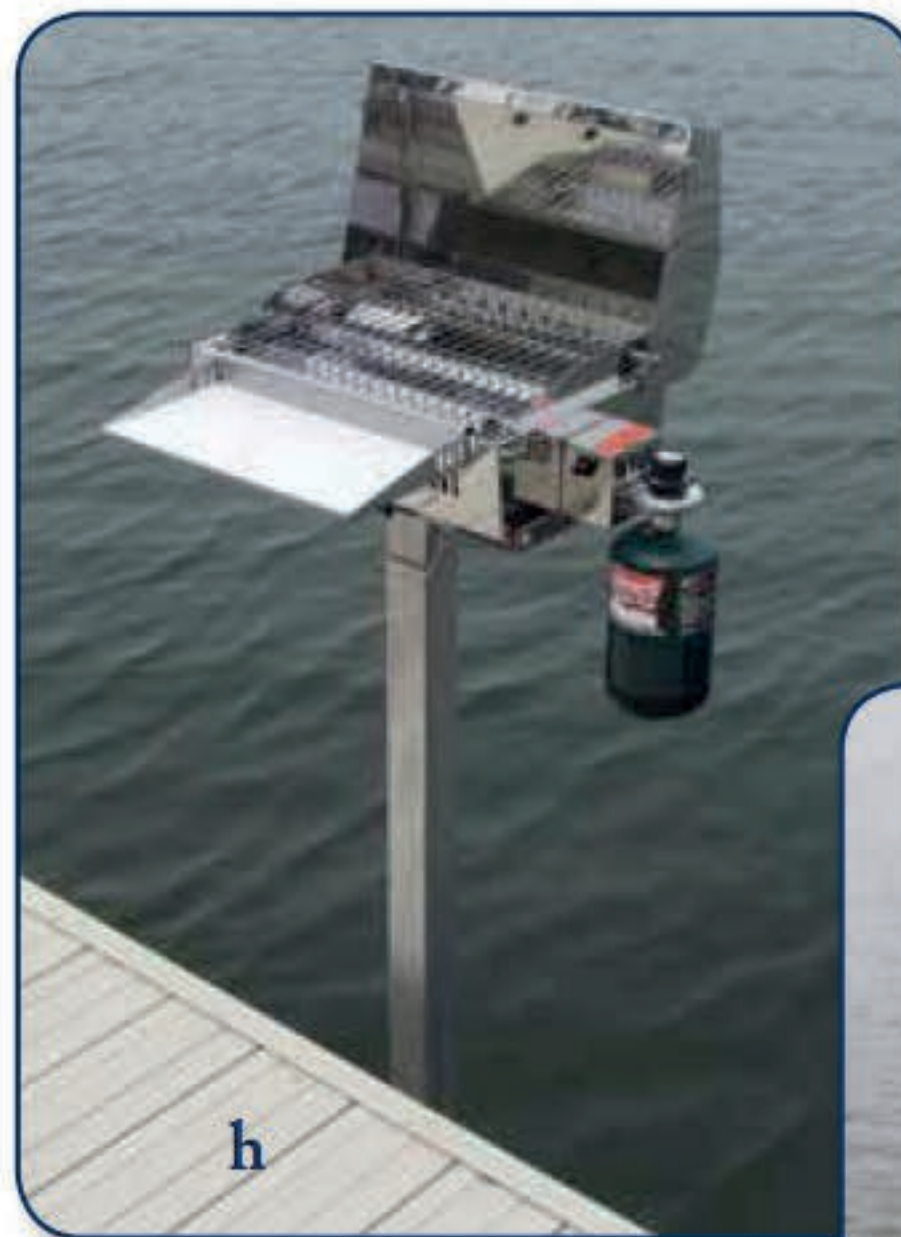
86912

86913

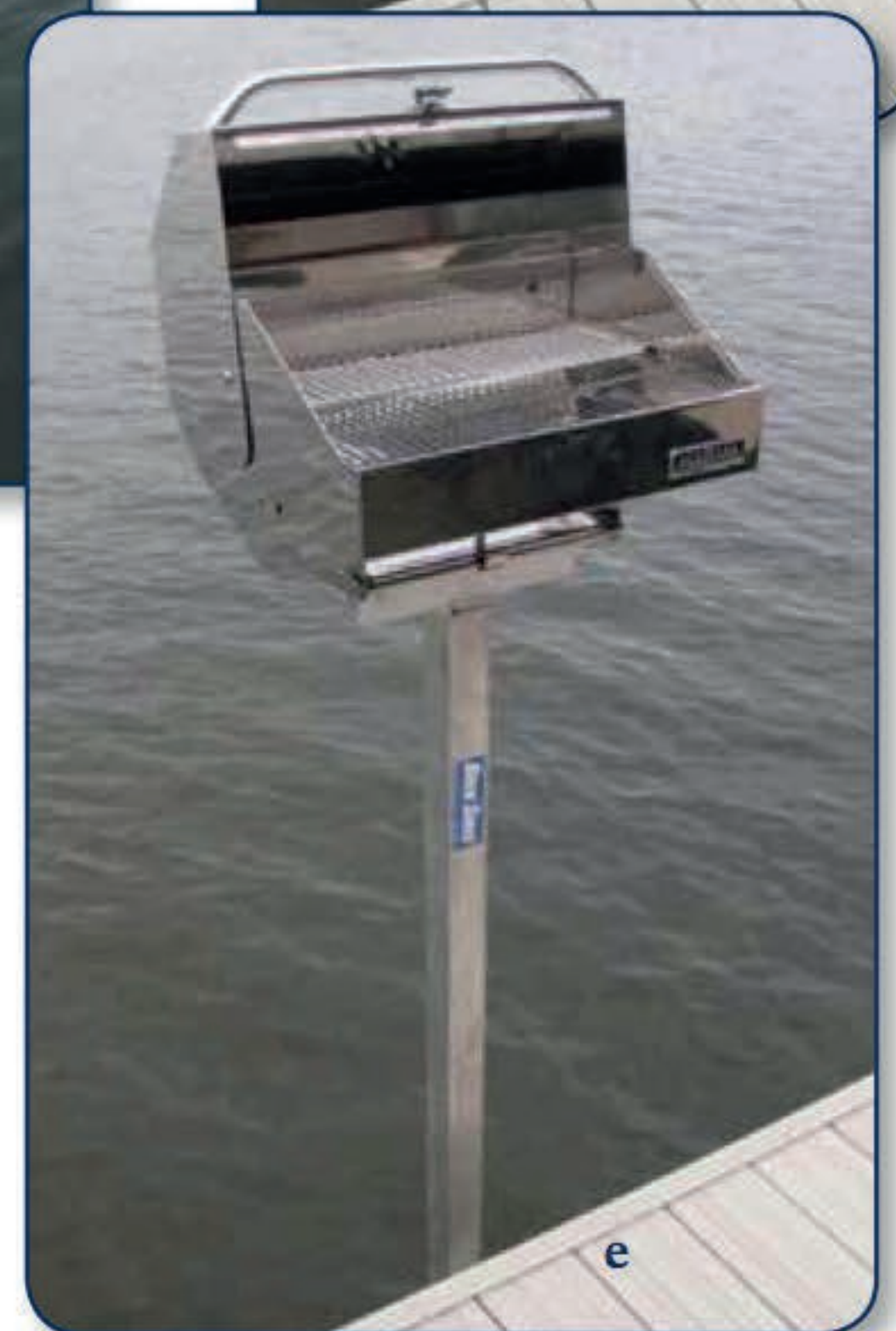
86914

86915

86917



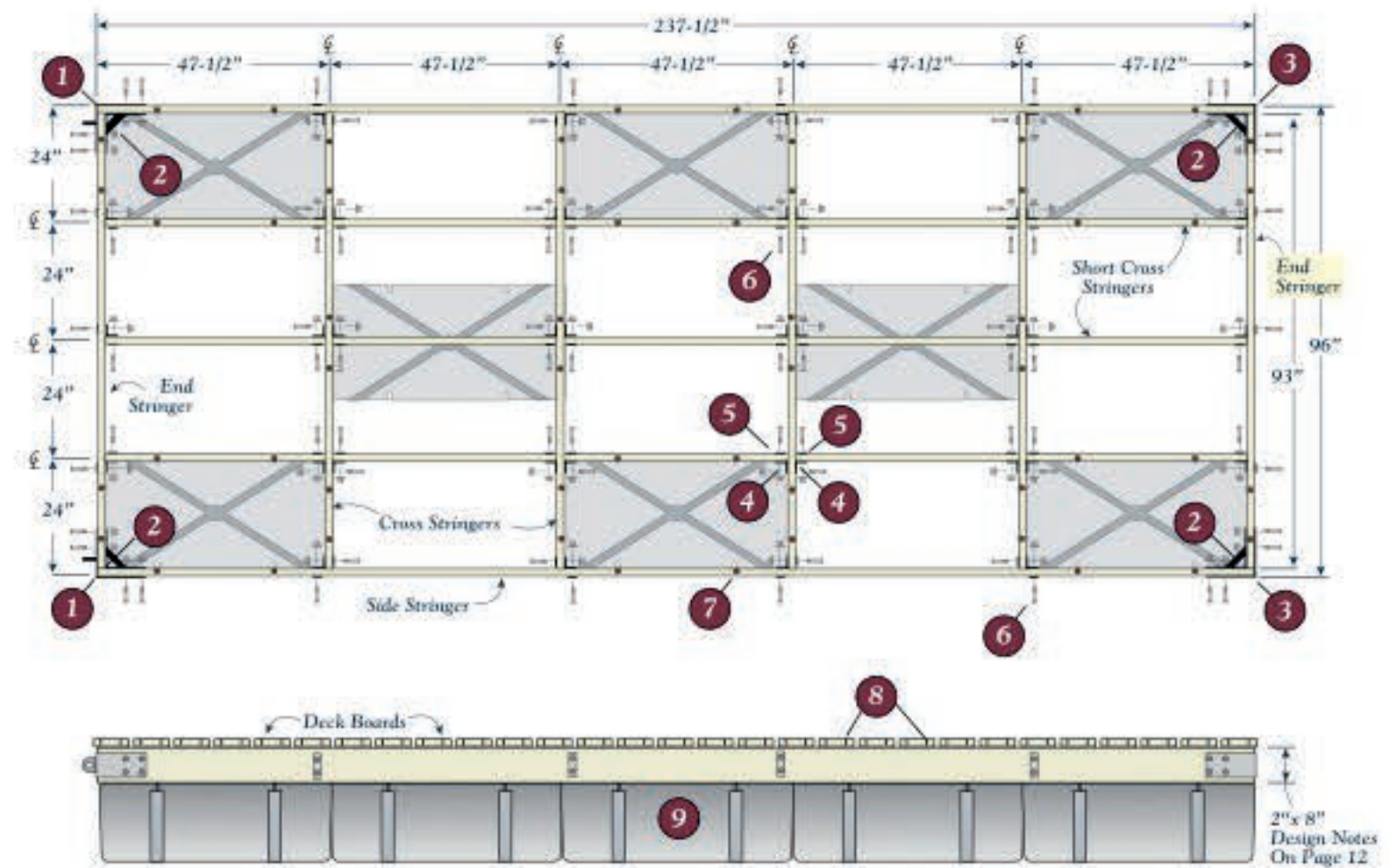
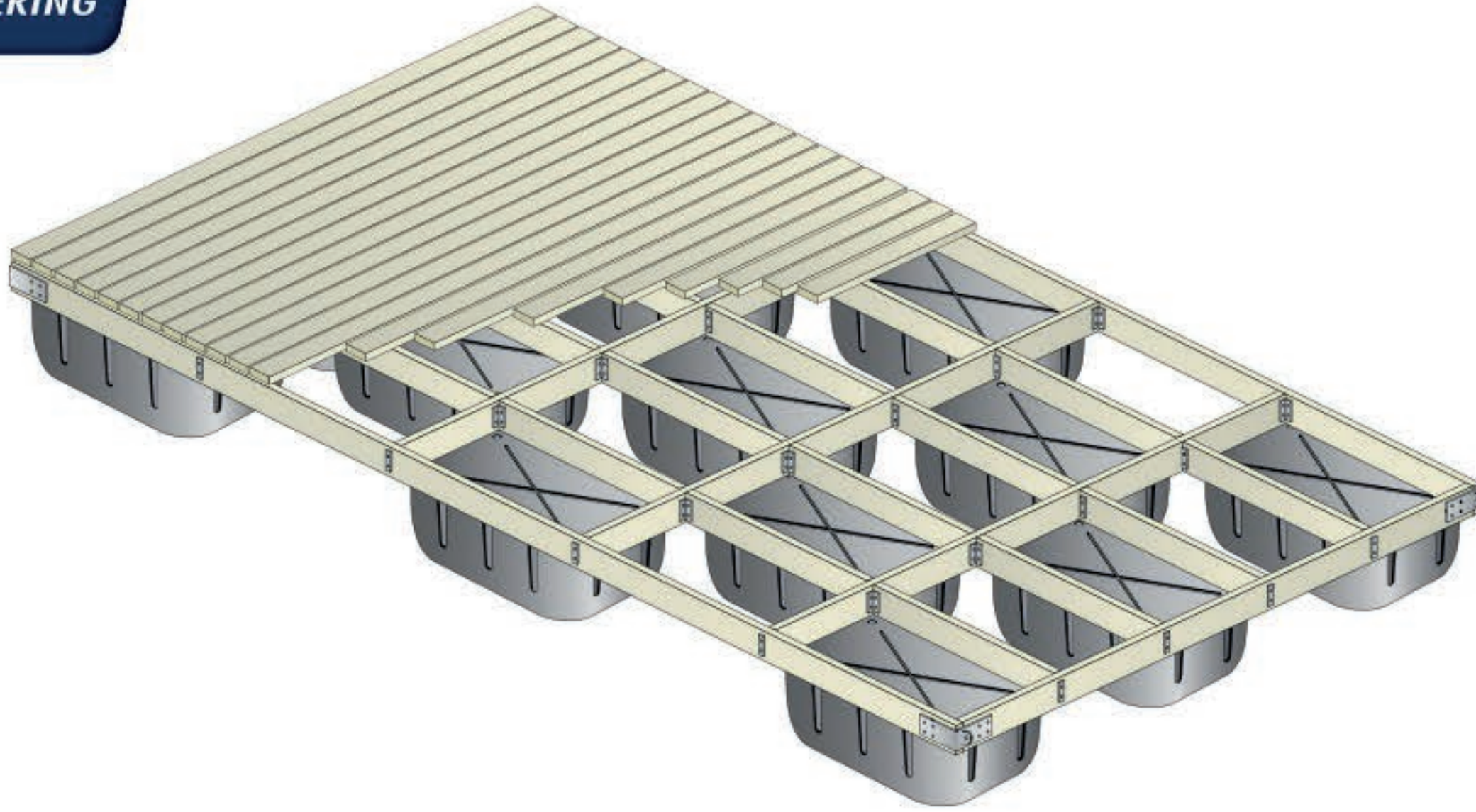
Grills & Tables  
not included







# Dock Plans Using TDE Hardware



Marine Aftermarket Division  
TIE DOWN ENGINEERING

**DOCK SIDES**