



best in the
LongRun

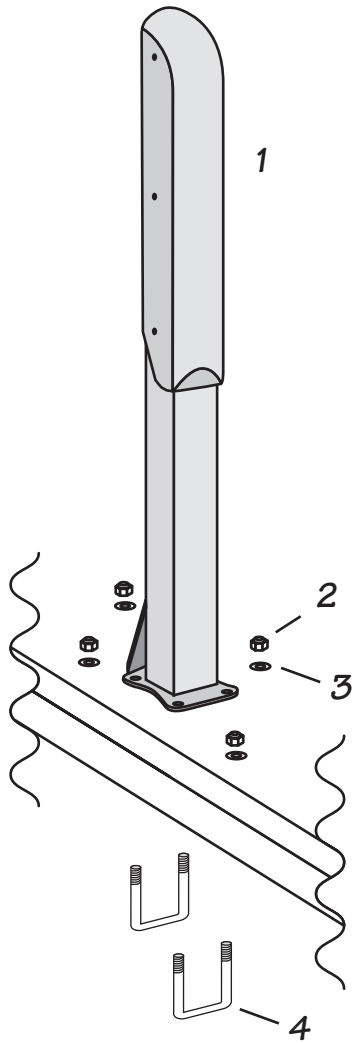
Pontoon High Impact Trailer Guide On's

Assembly/Installation Instructions
Part #86467

- Hot dip galvanized steel tubing
- Fits over 2"W x 2H" & 2"Wx 3"H tubes
- Fits over cross members

This kit contains the following components:

#	Qty.	Part #	Description
1	2	43766A	Guide Tube Assembly
2	8	10645	Nylock Nut 1/2"
3	8	10527	Washer 1/2" zinc
4	4	84478-1Z	U-bolt 1/2"-13 x 2-1/16" x 3-13/16"



Installation Instructions

1. Place the Guide Tube Assembly (1) in place over the crossbeam, check for correct positioning to the pontoon.
2. Place u-bolts (4) under the frame and thru the Guide Tube base. Loosely attach washers (3) and nylock nuts (2).
3. Make sure the guide tube is properly seated flat against the crossbeam and in a 90 degree angle.
4. Double check Guide Tube and pontoon position.
5. Tighten the u-bolts.

Instruction Sheet #08119 Rev. 9-16



A1074; 090716