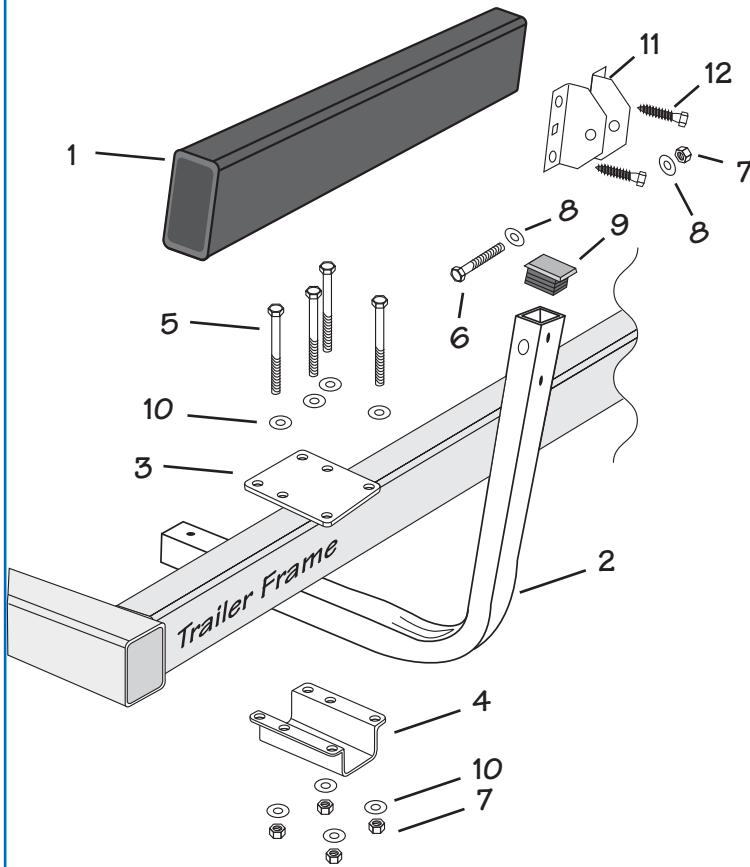




best in the
LongRun

24" Carpeted Bunk Board Guide On's

Assembly/Installation Instructions Part #86123

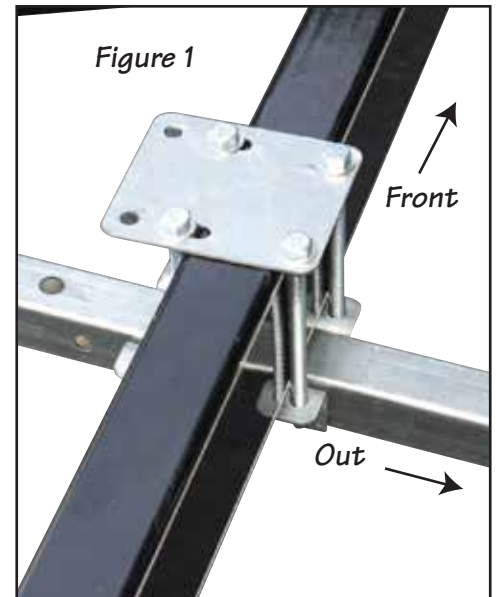


This kit contains the following components:

#	Qty.	Part #	Description
1	2	44812	24" Carpeted Bunks
2	2	48066	34" x 1-1/2" sq. Support Tube
3	2	48011	Mounting Plate
4	2	48012	Channel Bracket
5	8	10924	3/8"x 5" Continuous thread Hex Head Bolt
6	2	10539	3/8"x 2-1/2" Hex Head Bolt
7	10	10627	3/8" Hex Nyloc Nut
8	4	10502	3/8" Flat Washer
9	2	17520	Plastic End Cap
10	16	10841	3/8" Washer
11	4	86116	Swivel Brackets
12	8	10908	Hex Head Screws

Thank you for purchasing the Long Run Bunk Guides. Please review the following instructions before starting the assembly. With proper care, the Bunk Guides will give you years of service.

1. Before assembling the mounting hardware as shown on above, decide where and which set up you will want the bunk guides placed on your trailer. **(Use the diagrams on back to determine bunk board placement.)**
2. Using 4 - 3/8"x 5" hex head bolts, 8 flat washers and 4 nyloc nuts, for each, attach the guide support mounts onto your trailer frame, as shown in figure 1. Use the holes that will keep the bolts closest to the frame tube. Finger tighten at this time. Repeat for other side.
3. Slide the guide support tube into the assembly as shown in figure 1.



- Use a 3/8"x 2-1/2" hex head bolt and washers and 3/8" nyloc nut to attach the bunk to the guide support tube. Insert end cap cover over steel tube Repeat for both sides.
- Adjust the guide tubes for the proper distance on each side. Tighten support mount bolts at this time.
- Adjust the bunks for the proper angle and tighten the bolts.

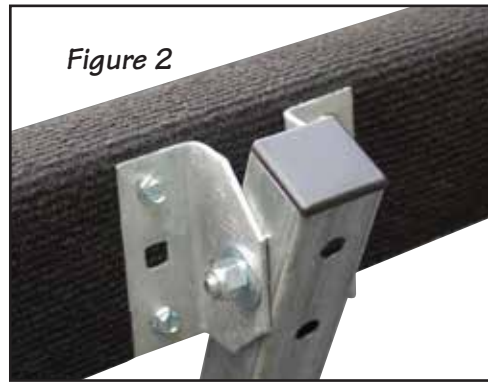
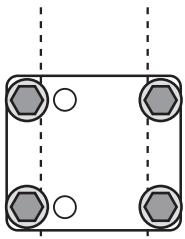
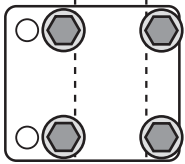


Figure 2

Bunk Board Placement Guide



Mounting position for 3" wide tubes



Mounting position for 2" wide tubes

