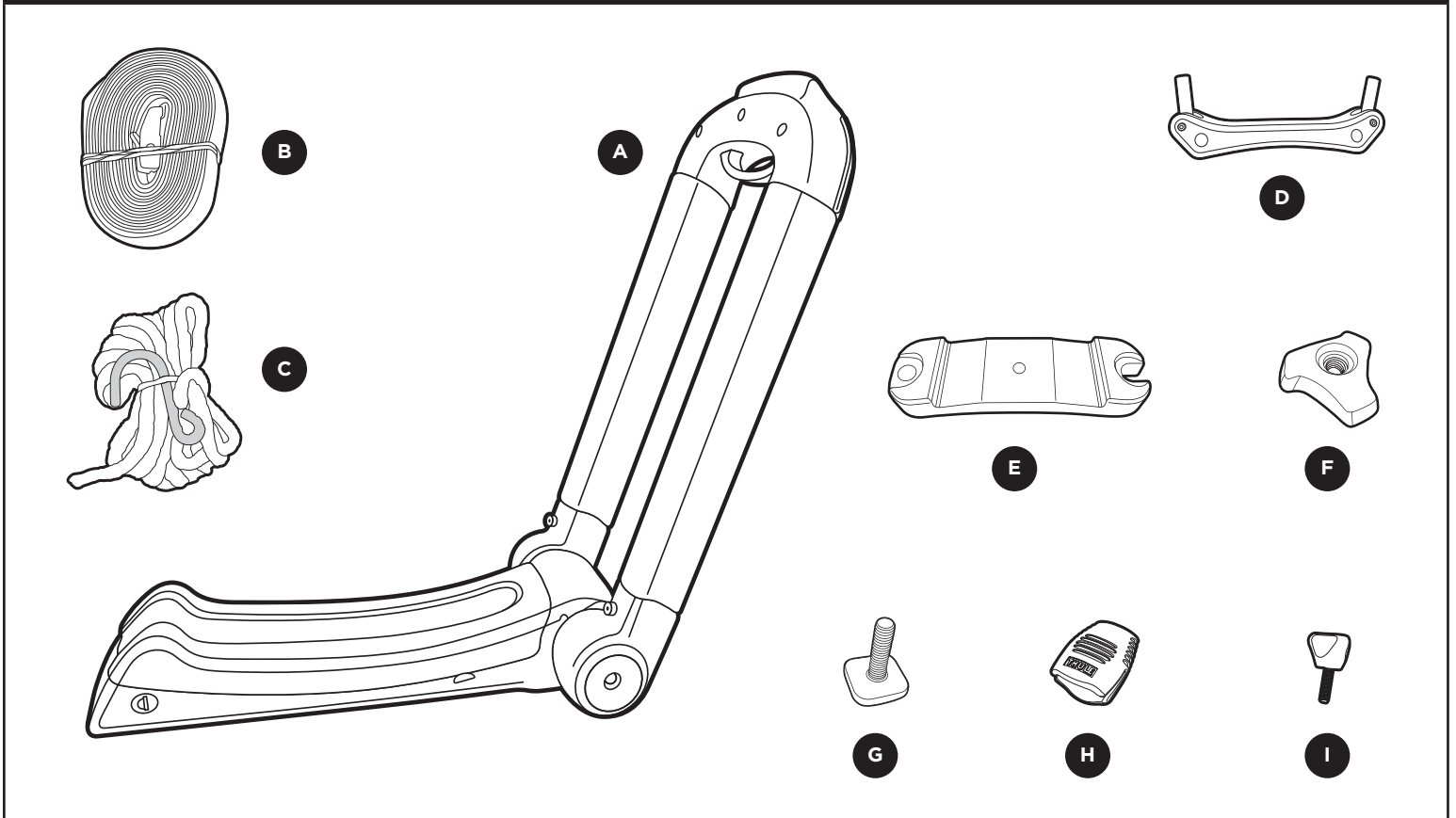


PARTS INCLUDED



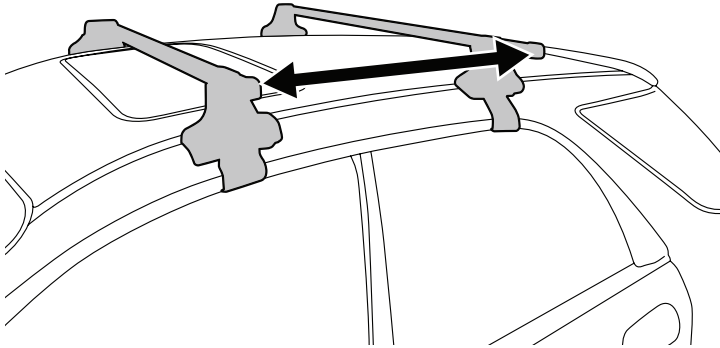
part	description	qty.
A	Hullaport Aero	2
B	center load strap	2
C	rope with hook	2
D	Flip-Fit bracket	4
E	mounting plate	4
F	low profile knob	4
G	T track bolt	4
H	buckle bumper	2
I	3-wing knob with bolt	8

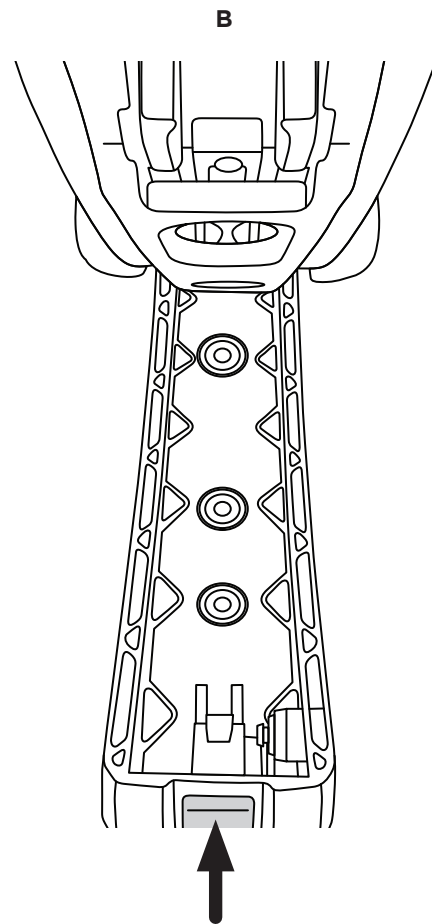
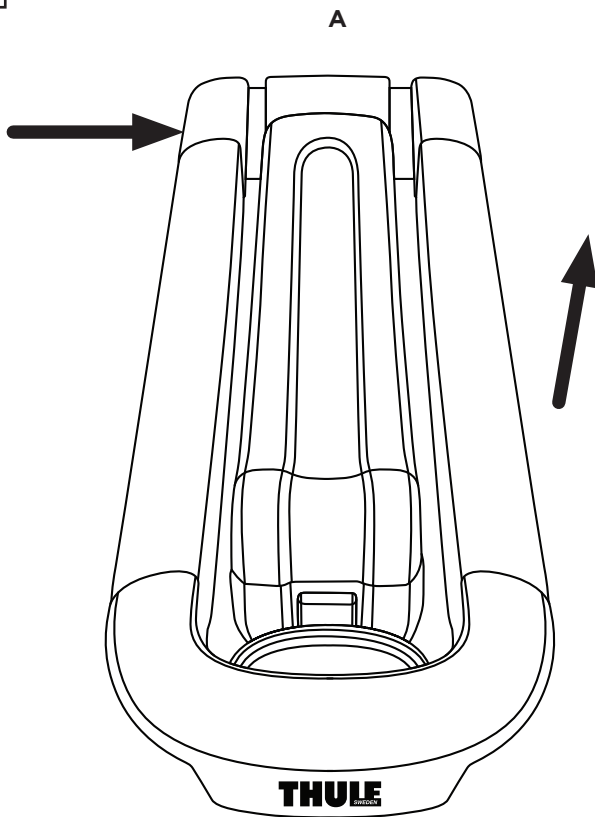
1

24" min.

LOAD BAR SET UP

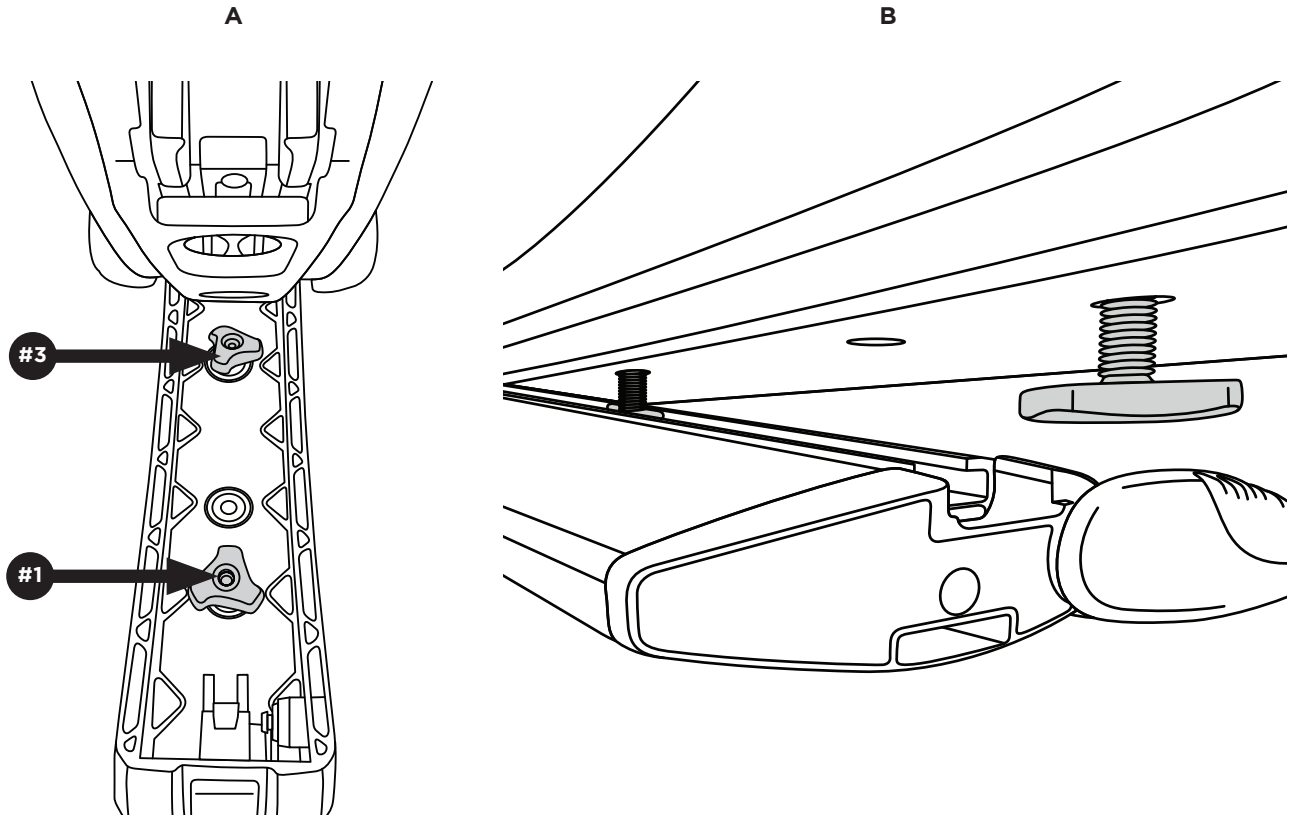
- Load bars should be a minimum of 24" apart with a maximum of 36" apart.



2

CARRIER SET-UP

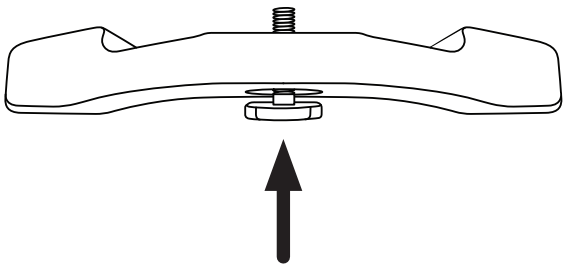
- A. Open carrier by pushing upper arm to the right and allowing it to pop up and snap into place. It's easier to open the carrier if you hold the lower cradle in place with one hand while pushing the upper cradle to the right with the other.
- B. Open the carrier's cover by pressing the grey button and pushing the cover up.
- If installing on Thule Aeroblades, continue to step 3 for "T-Track Installation". If installing on Thule squarebars or factory load bars, proceed to step 4 for "Around The Bar Installation".



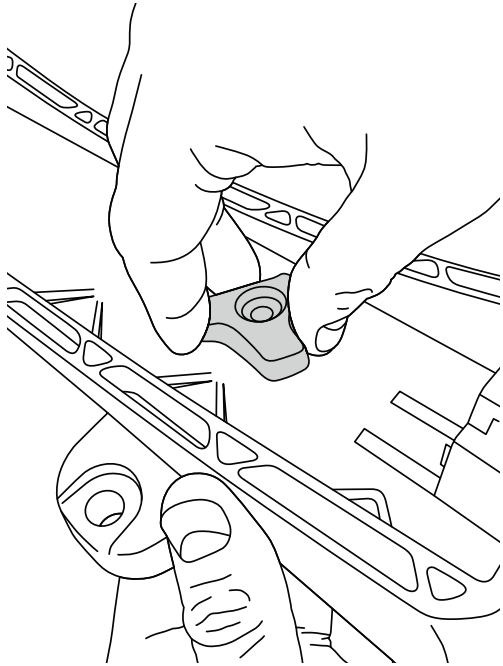
T-TRACK INSTALLATION

- A. For T-track installation you will need the following parts: G: T-track bolts and F: Low Profile Knob.
- Loosely thread T-track bolts and knobs together in holes 1 and 3 of carrier's base.
- B. Slide carrier onto Aeroblades so that the T-track bolts are engaged in the open track of the Aeroblade. Tighten carrier at desired position using Tri-wing knob. Finish by closing the cover so that it snaps closed. You are now ready to mount your kayak, proceed to step 7.

A



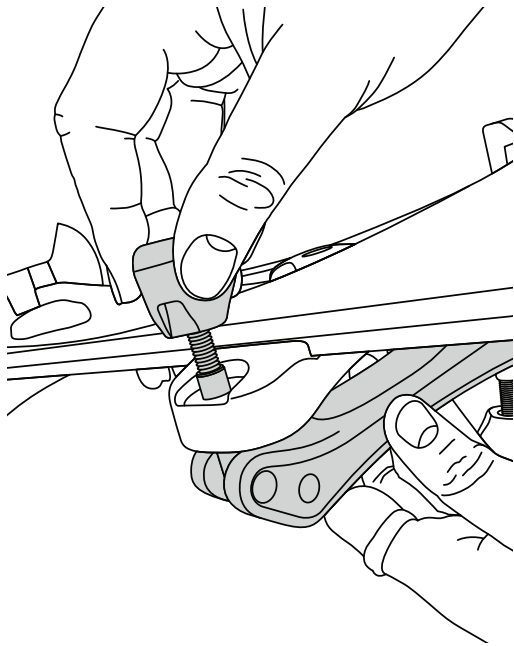
B



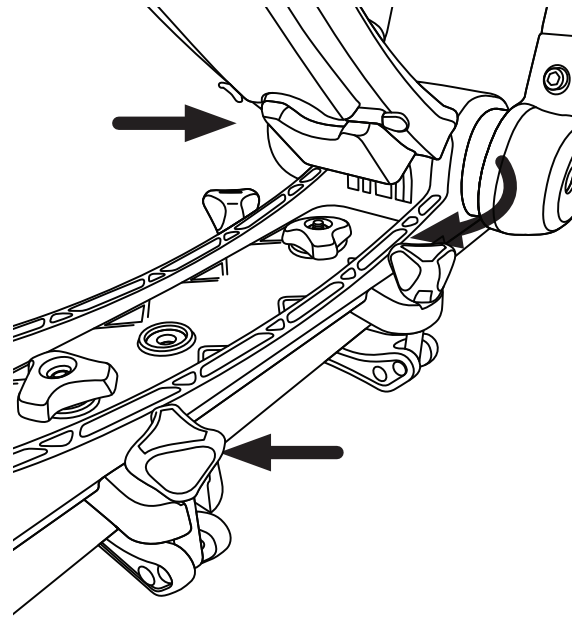
AROUND THE BAR INSTALLATION

- A. For Thule square bars and factory load bars, you will need the following parts: D: Flip fit bracket, E: mounting plate, F: Low-Profile knob, I: 3-wing knob with bolt, G: T Track bolt.
- Seat T-track bolt heads into underside of mounting plates as shown.
- B. Insert threaded end of T-track bolt through holes 1 and 3 (see step 3A) from the underside of the carrier. Fasten each plate in place by tightening a Low-Profile knob securely. Do not close cover at this point.

A



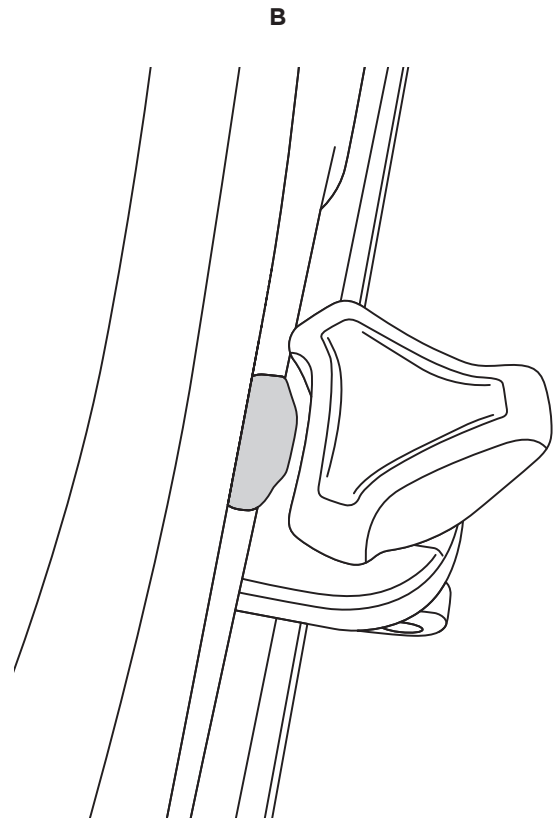
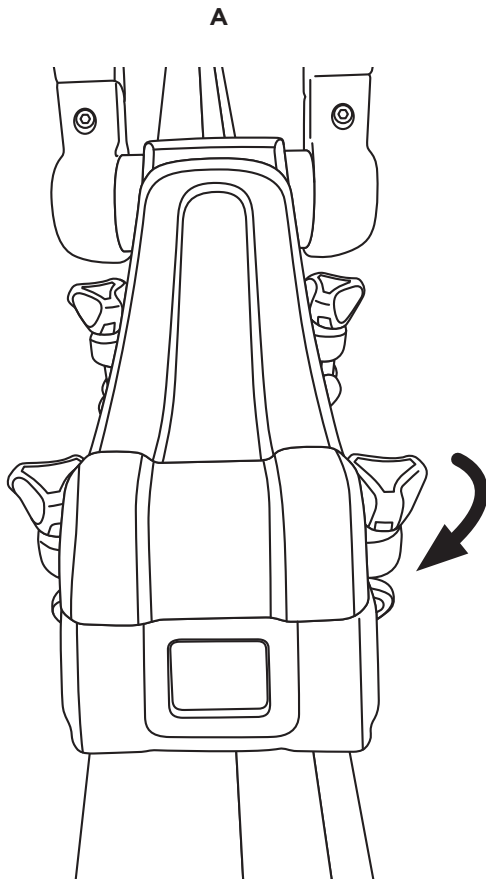
B



AROUND THE BAR INSTALLATION

- A. Attach flip fit bracket to the enclosed end of mounting plate by threading a 3-wing knob 2-3 turns into in clockwise.
- Repeat with 3 remaining brackets.
- Thread remaining 4 knobs into other ends of brackets 2-3 turns.
- B. Position carrier on load bars in desired location, but not further out along bars than the rack's foot.
- Wrap flip fit bracket around bars and slide other end into the open slotted section of the plate.
- Tighten all 8 knobs firmly.

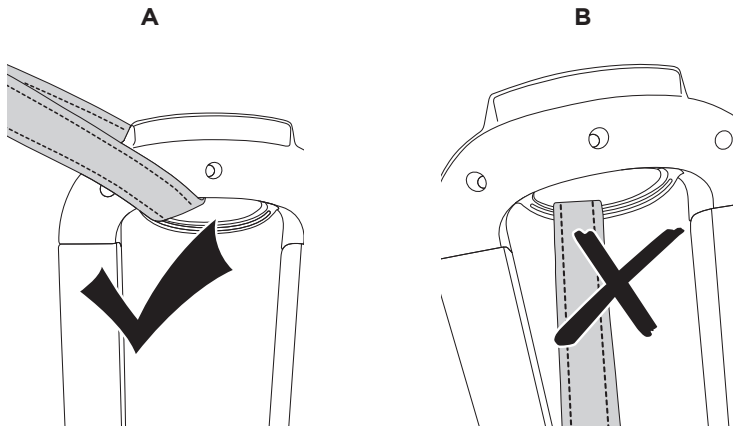
6



AROUND THE BAR INSTALLATION

- A. Attach flip fit bracket to the enclosed end of mounting plate by threading a 3-wing knob 2-3 turns into in clockwise.
- B. NOTE: You may need to slightly turn the knob that it does not interfere with passive locking plate when you close the cover. The locking plate is put in place to prevent someone from being able to remove the carrier when locked. You are now ready to mount your kayak, proceed to step 7.

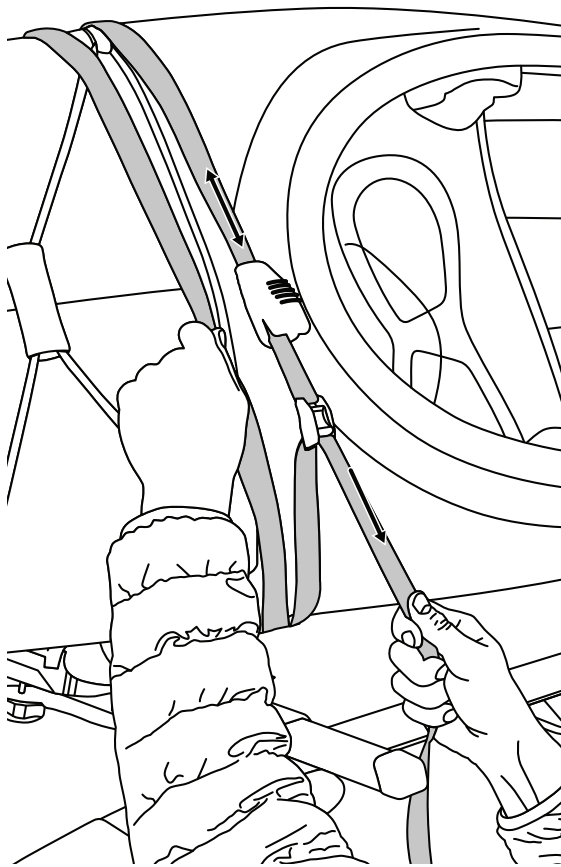
7



KAYAK INSTALLATION

- A. Route the load straps around the upper arm of the carrier as shown.
- B. DO NOT attach directly to the guide.

8

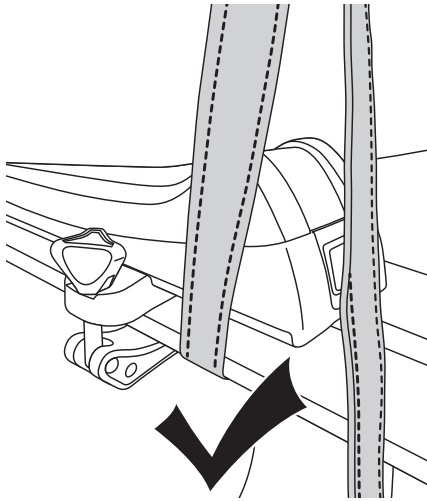


KAYAK INSTALLATION

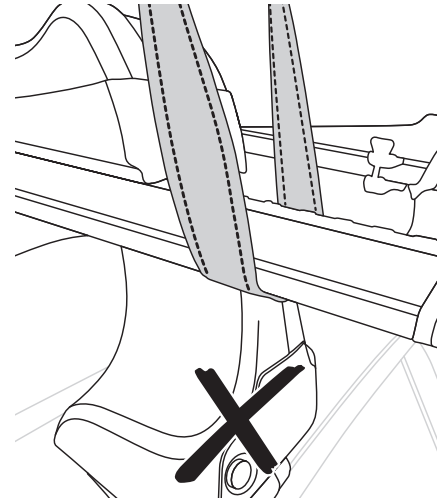
- Load kayak into the carrier and position it evenly between the two supports.
- Slide buckle bumper up strap to expose strap buckle.
- Route straps as illustrated.
- Pull strap firmly to secure boat to carrier.
- Slide buckle bumper down over buckle.
- Tie off loose end of strap.

9

A



B

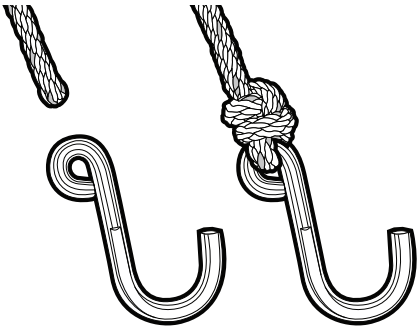


KAYAK INSTALLATION

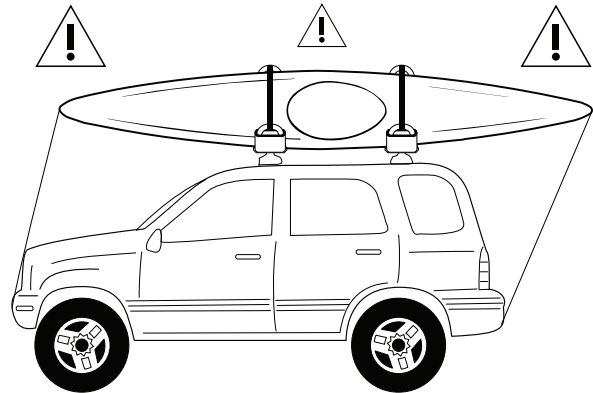
- A. Use the load straps to strap to the load bar, making sure to attach to the INSIDE of the foot.
- B. DO NOT attach the load straps to the outside of the foot.

10

A



B



KAYAK INSTALLATION

- A. Carefully attach hook to end of rope.
- B. Secure bow and stern line hooks to the vehicles tow hooks or other secure mounting points. Failure to do so may result in loss of kayak from vehicle.