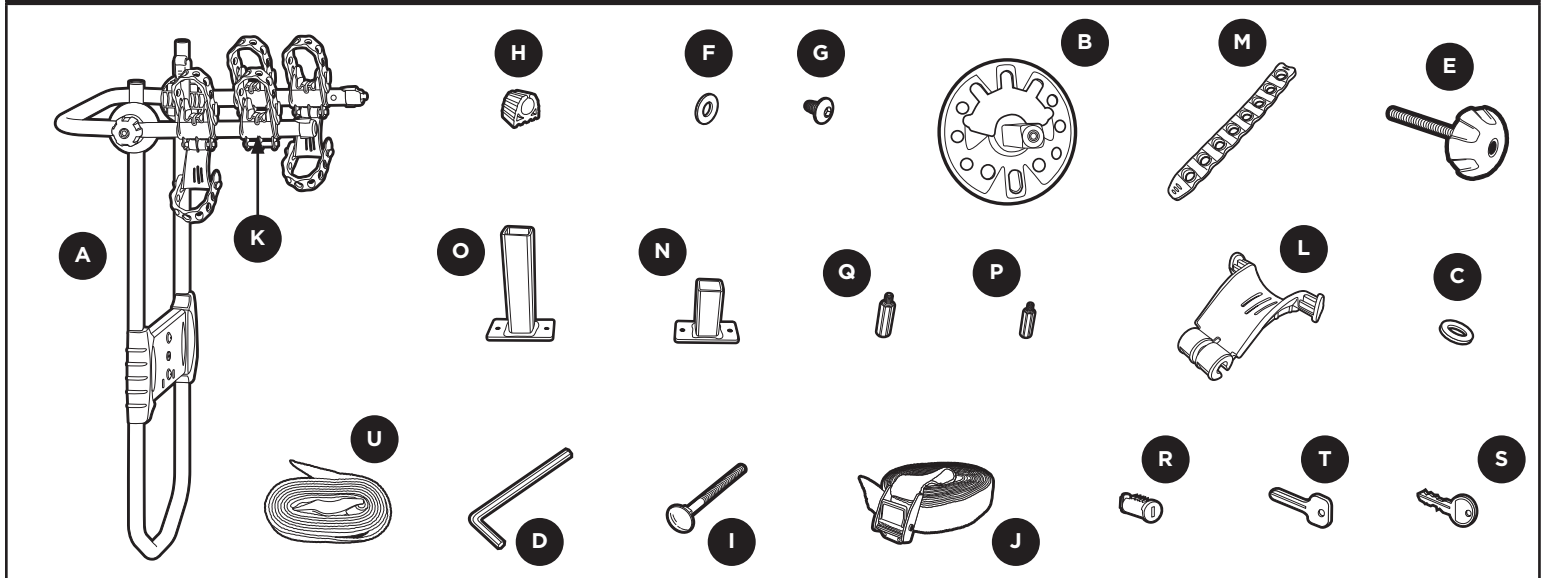


PARTS INCLUDED


part	description	part number	qty.
A	bike unit frame /	—	1
B	mounting plate /	753-3532	1
C	washer M8 /	951-0816-54	1
D	hex key M5 /	853-0930	1
E	locking knob /	753-1908-03	1
F	washer M6 /	951-0616-54	2
G	socket screw M6 /	918-0612-31	2
H	rubber spacers /	853-5874	4
I	carriage bolt (included with 9033 Tram hitch snow sport carrier)	752-1471-001	2
J	strap assembly /	753-2030-03	1
K	stay-put cradle /	853-7887	4
L	anti-sway cage /	852-2903-001	2
M	ripple strap /	852-3006-001	6
N	short mounting bracket /	752-1425-001	1
O	long mounting bracket /	752-1425-002	1
P	short standoff extension /	852-3482-001	1
Q	long standoff extension /	852-3305-001	1
R	lock cylinder /	—	2
S	locking keys /	—	2
T	change key /	—	1
U	strap assembly with plastic buckle /	753-1492	1

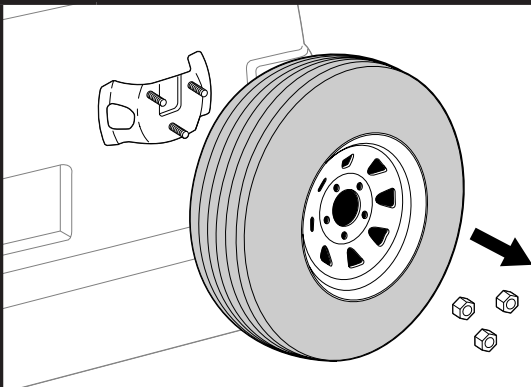
WARNINGS / LIMITATIONS

- Check tightness of all bolts and knobs periodically.
- Not intended for off-road use.
- Check straps for wear and replace if worn.
- Not intended for tandems or recumbents.
- Your vehicle must be equipped with a spare tire.
- Do not install on a trailer or other towed vehicle.
- The maximum capacity for this carrier is 2 bikes with a combined weight of 75 lbs.
- Failure to use blue safety strap may result in loss of bicycles.
- This carrier fits all standard OEM rear-mounted spare tires combinations currently available with the exception of spare tires with a tire-mounted back-up camera.

The Spare Me 963PRO fits all OEM Tire / Wheel rear-mounted spare tire combinations currently available on the market. (Exception: If this vehicle has a spare tire mounted back-up camera, this carrier will not fit.)

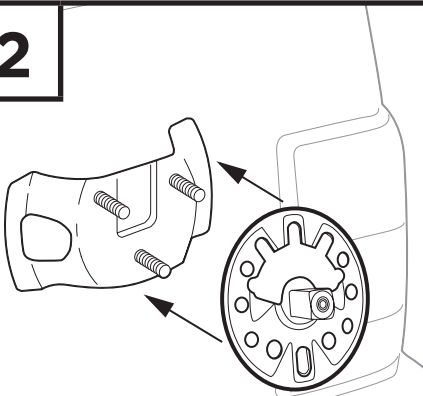
1

INSTALL BASE PLATE



- Remove spare tire cover.
- Remove lug nuts.
- Remove spare tire.

2

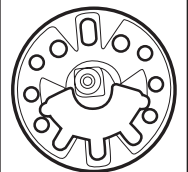
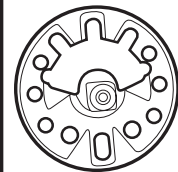


- Fit mounting plate onto vehicle.
- Plate will fit different bolt patterns.

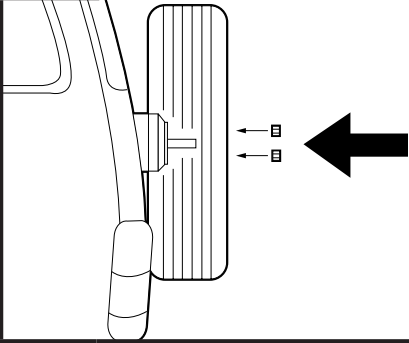
NOTE: Cutout may be positioned at either 12 or 6 o'clock position.

12 O'CLOCK.

6 O'CLOCK.



3



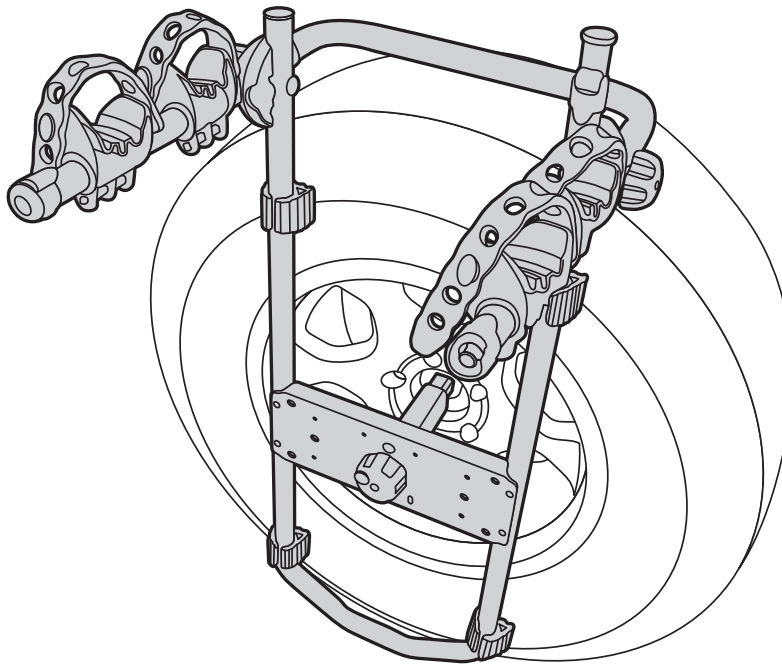
- Reinstall spare tire over plate.
- Retighten lug nuts.

NOTE: Check for proper tire inflation.

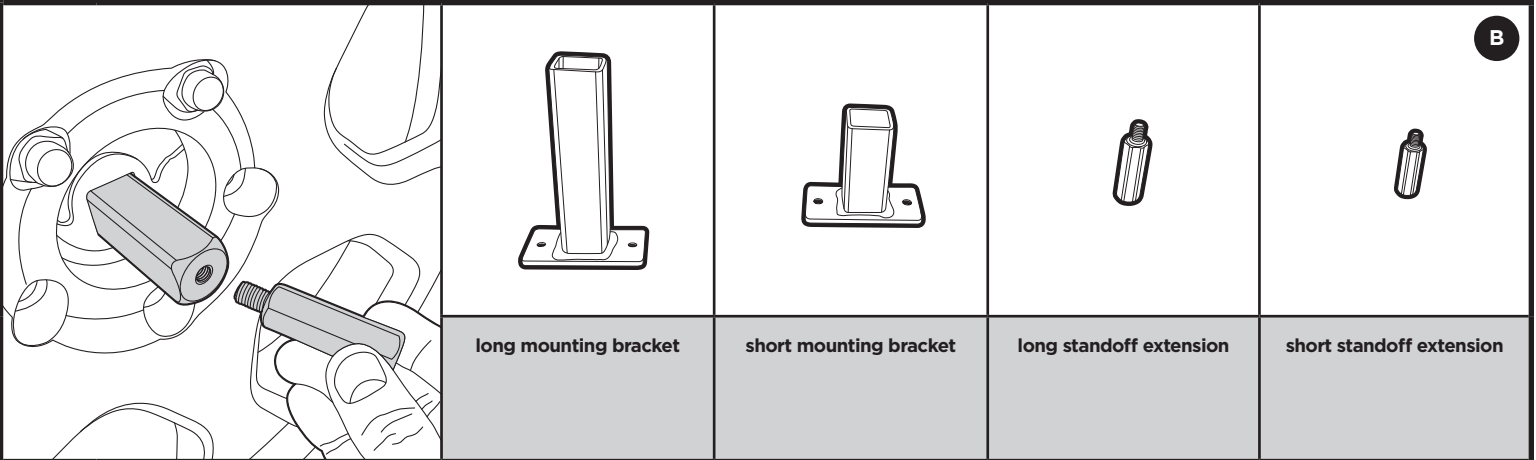
NOTE: If your spare tire is attached with lug bolts, another person's assistance may be required.

4

USING MOUNTING BRACKETS AND EXTENSIONS



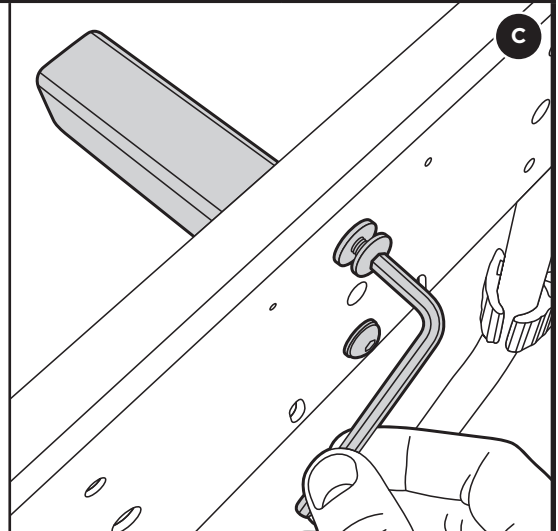
- Different tire widths will require a different combination of short or long mounting brackets and short or long standoff extensions. Tire widths are imprinted on tire sidewalls. When the Spare Me square mounting bracket is slid over the square post on the mounting plate, there must be at least one-half inch of overlap. Review STEP 8 for proper rubber spacer application.



- The Spare Me comes with the short mounting bracket attached which fits most tires in the range P195-P235. (Tire sizes are imprinted on side of the tire.) For medium width tires in range P235-P275, use long mounting bracket and short standoff. For wider and deeper tires in size range P285-12.5", use long mounting bracket and long standoff. When finished, the Spare Me should be tight to the tire with at least a half-inch overlap on the mounting bracket. If it isn't, then use a different combination of mounting brackets and standoffs.

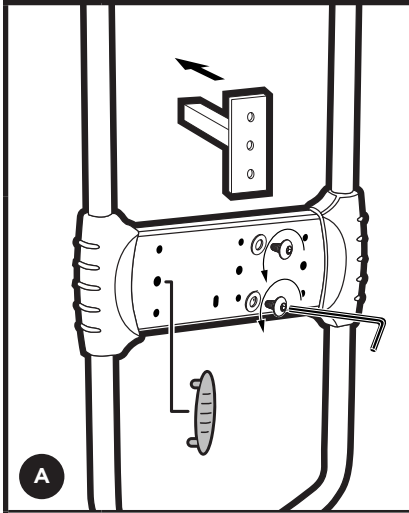
TIRE SIZE	BRACKET / ADAPTER TO USE	TIRE SIZE	BRACKET / ADAPTER TO USE	TIRE SIZE	BRACKET / ADAPTER TO USE
P195-P235	use short mounting bracket	P235-P275, 31, 32"	use long mount bracket and short standoff	P285+, 12.5, 33+	use long mount bracket and long standoff

- To attach longer mounting bracket, remove bolts and shorter mounting bracket with hex key. Then secure longer mounting bracket with bolts and tighten firmly.



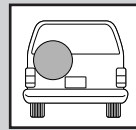
5

IF YOUR VEHICLE'S SPARE TIRE IS CENTERED, SKIP THIS STEP. PLEASE GO TO STEP 6.

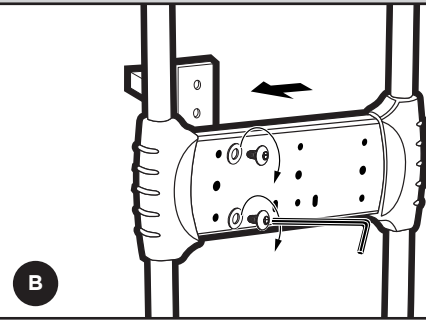


A

- Remove bolts with hex key.
- Remove plastic trim piece.

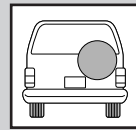


IF SPARE TIRE IS OFFSET TO LEFT

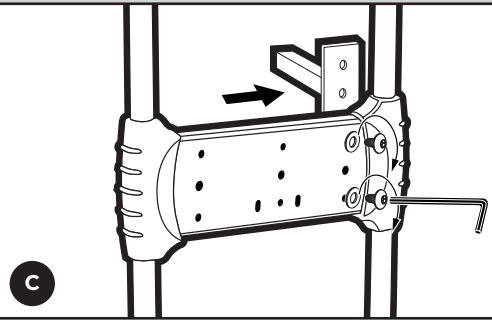


B

- Move square tube as shown.
- Secure with bolts.



IF SPARE TIRE IS OFFSET TO RIGHT

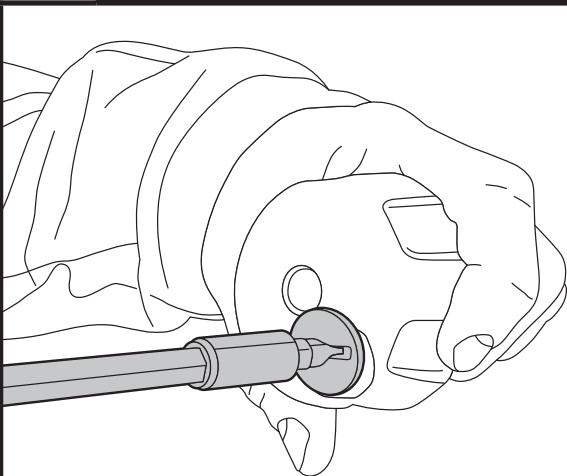


C

- Move square tube as shown.
- Secure with bolts.

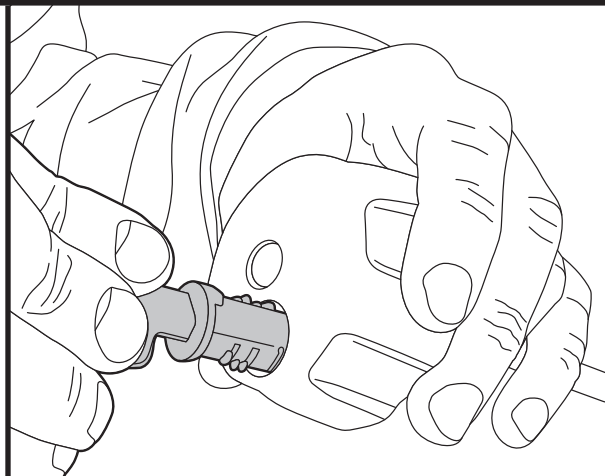
6

INSTALLING LOCK CYLINDER INTO LOCK KNOB



A

- Using screwdriver, remove plug from locking knob as shown.

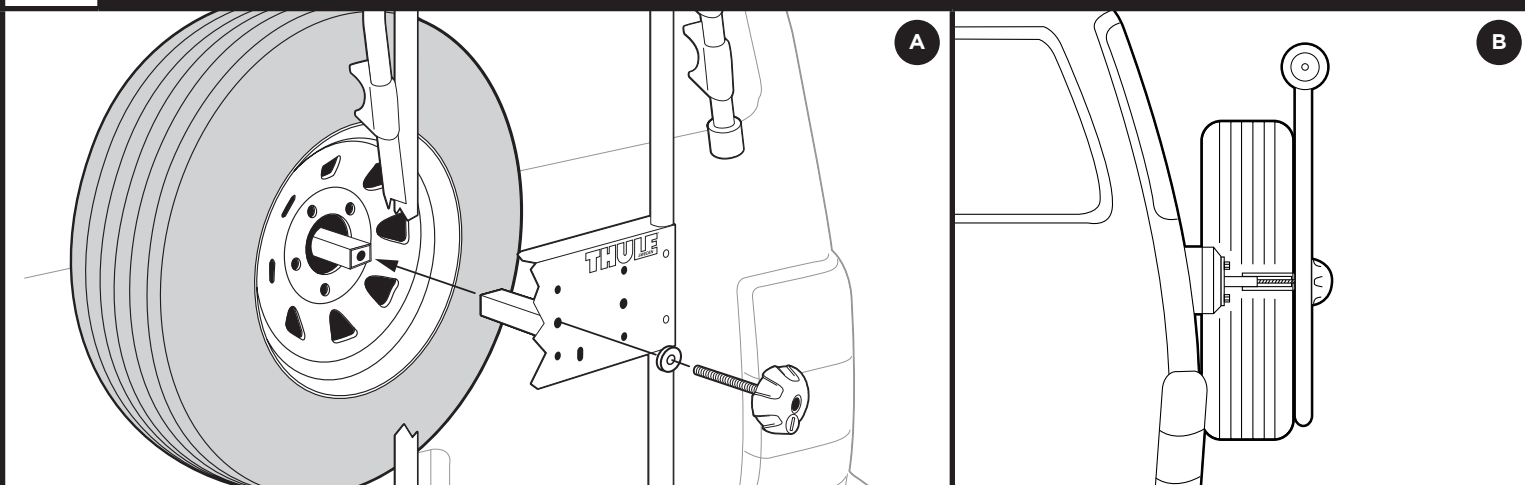


B

- Using change key, insert lock cylinder into locking knob as shown.

7

INSTALL BIKE UNIT

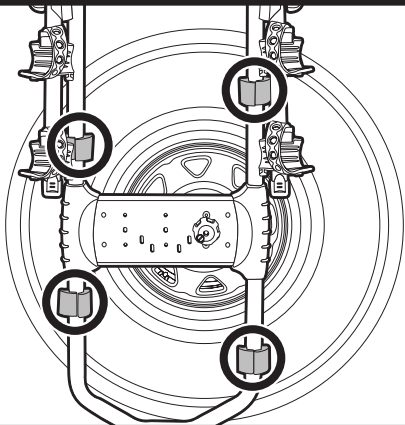


- Slide bike unit onto mounting plate tube.
- Thread knob with washer into mounting plate and tighten firmly.

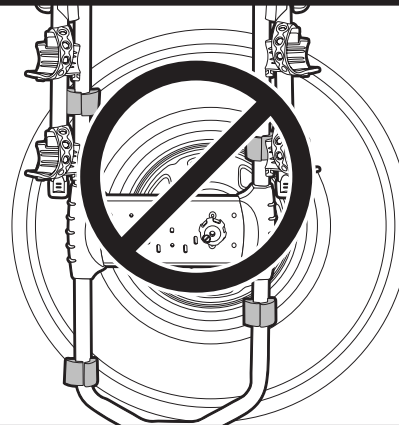
NOTE: Knob spins freely in locked position.

8

SPECIAL INSTRUCTIONS



CORRECT

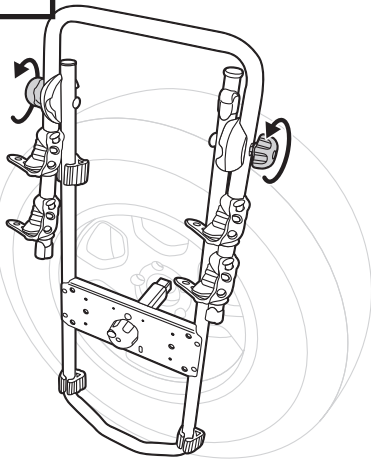


INCORRECT

- Your vehicle may require an additional spacer for improved carrier-to-tire contact. Please see Thule Fit Guide for your vehicle's fit.
- Attach spacers to the Spare Me tubing such that all 4 achieve contact with the tire as shown.
- Continue with step 9.

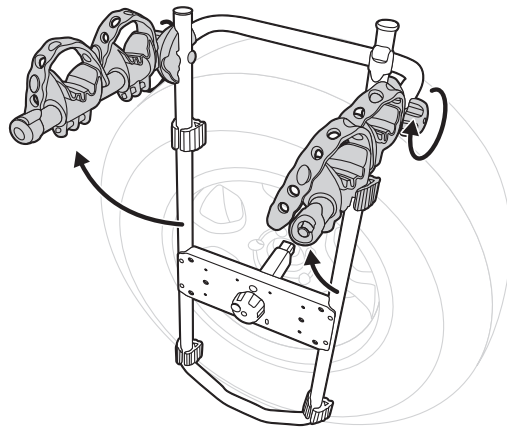
9

A



- Loosen knobs as shown.

B

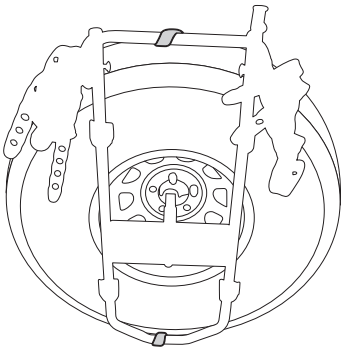


- Lift arms up.
- Firmly tighten knobs.

10

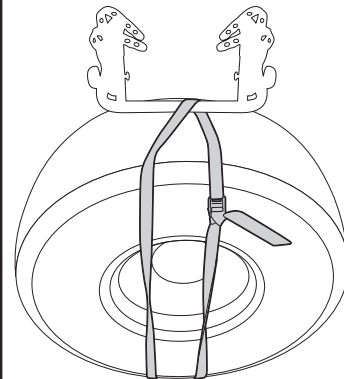
ATTACHING SAFETY STRAP FOR OVERSIZED TIRES

A



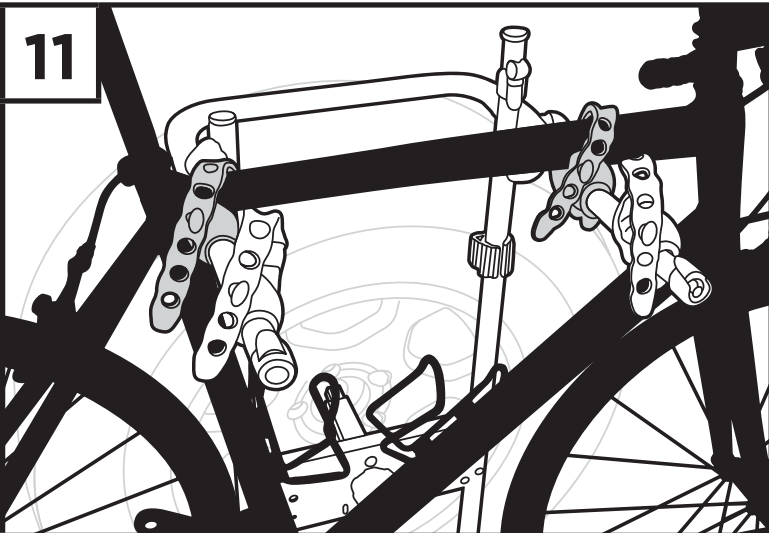
- If using an oversized tire above size P235, please wrap the blue strap with the metal buckle over the top and bottom tubes of the Spare Me and then vertically down the back side of the tire closest to the vehicle as shown. Tighten strap firmly.

B



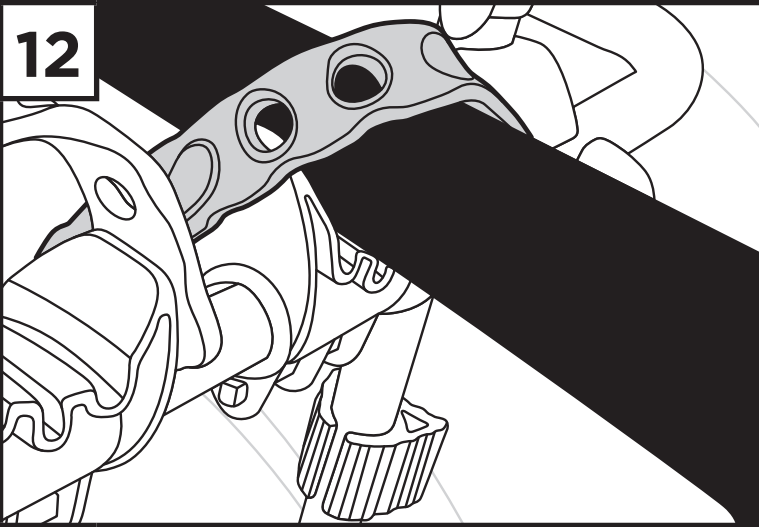
- Rear of tire view.

11



- Load bike onto arms.
- Heaviest bike first.
- Start at inner most cradles.
- Alternate direction of bikes when loading.

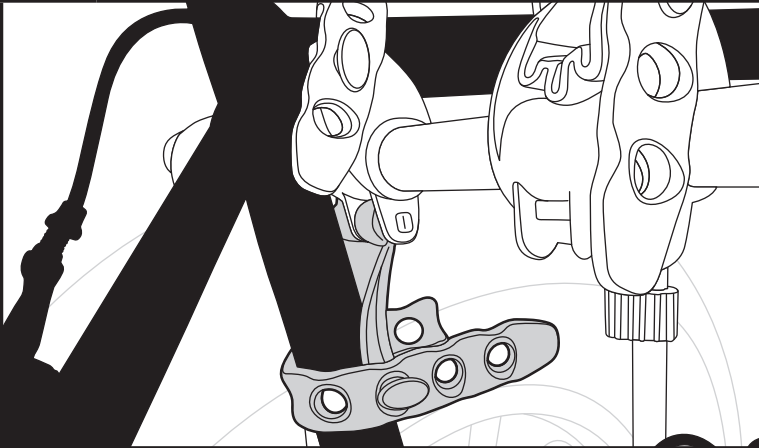
12



- Cradles can be either rotated or shifted on bars to accommodate different bike geometries.
- Ensure straps are tightened securely around bike frame.
- Use the webbing strap provided to secure bikes to carrier.

13

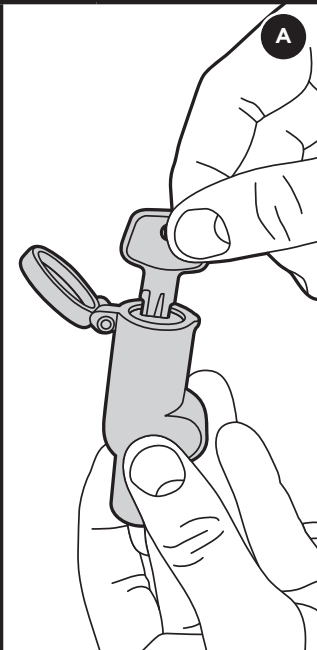
ANTI-SWAY



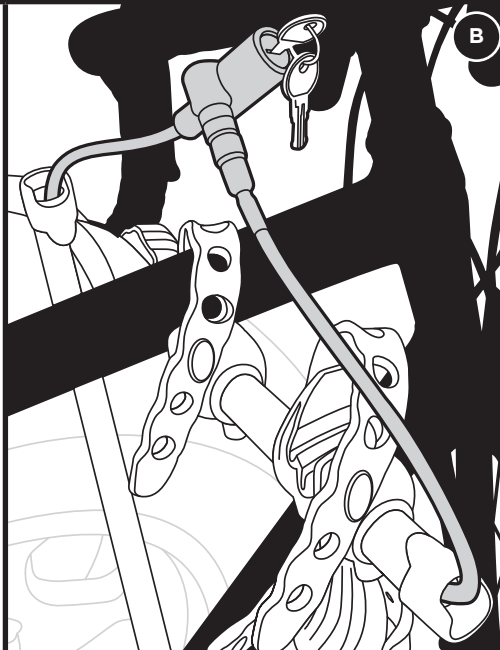
- Insert anti-sway cages onto cradle bottoms by aligning open end of "C" slot and pushing it onto bar on bottom of cradle. Smooth curved surface of cage should face outwards. Once attached, rotate cage to vertical position and attach cradle strap to bike.

14

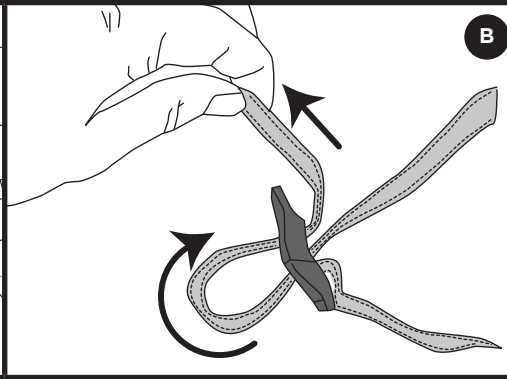
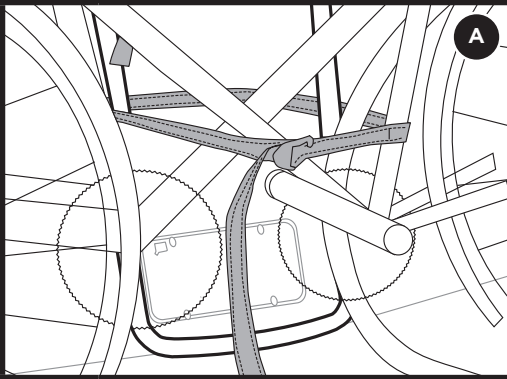
USING BIKE LOCKING CABLE



- Use change key to insert lock cylinder into end of top locking cable.



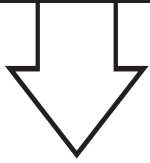
- Wrap cable over bike tube. Pull out cable from carrier arm and insert into side of lock cylinder housing. To lock, insert key and turn clockwise.



- Using blue load strap with plastic buckle provided, secure all bikes to the frame of the rack as illustrated.

1 LOOK UP YOUR VEHICLE'S MAKE, MODEL AND YEAR.

2 IF YOUR VEHICLE IS LISTED, THE SPARE ME WILL FIT IT.



FIT TIPS

Read the appropriate numbered tips at the bottom of the page before fitting vehicle.

ACURA

SLX	'96-99	
-----	--------	--

CHEVROLET

Blazer 2DR	'95-05	
Blazer 4DR	'95-02	
S-10 Blazer 2DR	'83-94	
S-10 Blazer 4DR	'83-94	
Tracker	'99-04	

FORD

Bronco (Full Size)	'87-96	
Bronco II	'84-90	

GMC

Jimmy 2DR	'95-01	
Jimmy 4DR	'95-01	

HONDA

CRV	'02-06	
	'97-01	
Passport	'98-02	

HUMMER

H2/H2 SUT	'03-10	
H3	'05-10	

ISUZU

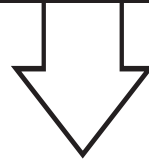
Amigo	'99-01	
Rodeo	'98-04	
	'91-97	
Trooper	'92-02	149
	'84-91	

JEEP

CJ-7	'79-95	
Liberty	'02-07	
Liberty Renegade	'05-07	
Wrangler	'87-13	
Wrangler Unlimited	'04-13	

1 LOOK UP YOUR VEHICLE'S MAKE, MODEL AND YEAR.

2 IF YOUR VEHICLE IS LISTED, THE SPARE ME WILL FIT IT.



FIT TIPS

Read the appropriate numbered tips at the bottom of the page before fitting vehicle.

KIA

Sportage	'95-02	
----------	--------	--

LAND ROVER

Defender	'95-98	
Discovery	'94-98	
Discovery II	'98-04	
Freelander	'02-05	

MITSUBISHI

Montero	'90-06	
Montero Sport	'97-04	

NISSIAN

Pathfinder w/ Spare	'96-01	
---------------------	--------	--

OLDSMOBILE

Bravada	'02-04	
	'96-01	

SUZUKI

Grand Vitara	'06-13	
Sidekick 2DR	'91-98	
Sidekick 4DR	'91-98	
Vitara	'99-05	
XL-7	'07-09	
	'01-06	

TOYOTA

FJ Cruiser	'07-13	152
RAV 4	'07-12	152
	'01-06	
	'96-00	

Fit Tips

149 Due to a factory incorporated "tire hanger" on some models, the 963 "Spare Me" cannot be used on this vehicle. Please check your vehicle's configuration before buying this product.

152 If this vehicle has a spare tire mounted back-up camera, the 963PRO will not fit.