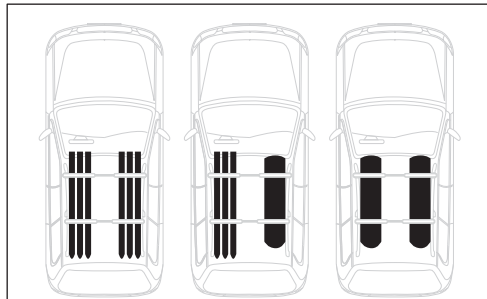
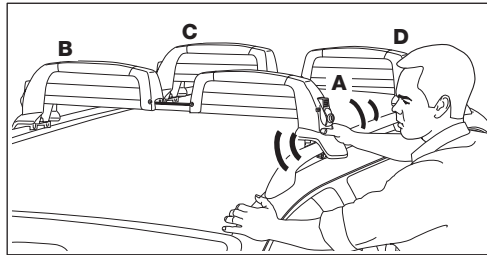
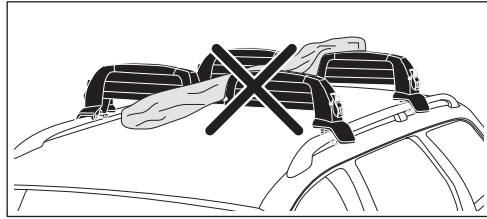
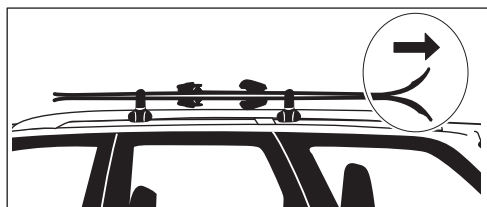
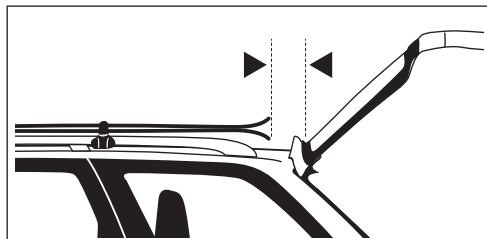


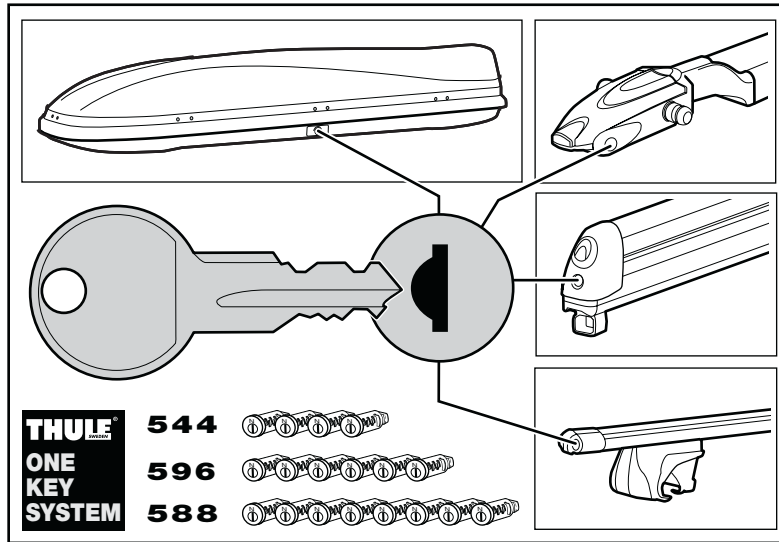
Only for skis and snowboards. Do not carry any loads between the ski carriers. Check the tightening. The total weight of the ski carrier and load must not exceed 40 kg. Check that the skis do not strike against the luggage hatch.



Max. load 6 pairs of skis or 4 snowboards



[Roof Racks](#)



**THULE**<sup>®</sup>  
SWEDEN

Fitting instructions



**THULE**<sup>®</sup>  
SWEDEN

