



XADAPT8

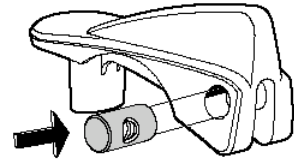
PARTS INCLUDED



part	description	part number	qty.
A	61mm T-bolt	853-2089-07	3
B	35mm T-bolt	853-2089-08	1

Follow these instructions in conjunction with the 597 Super G or 598 Criterium Bike Carrier instructions for mounting onto the Thule Xsporter Truck Rack or [Aero bar](#) application.

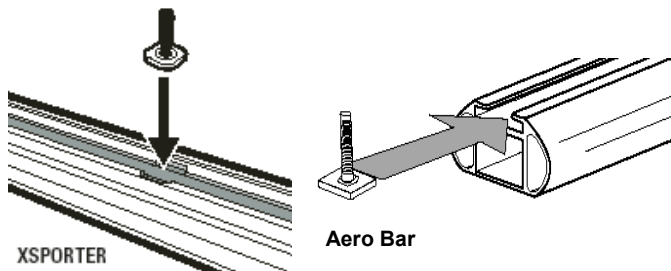
- Install barrel nut into cam handle (included with bike carrier).



- Follow the chart below for proper bolt length required for your application.

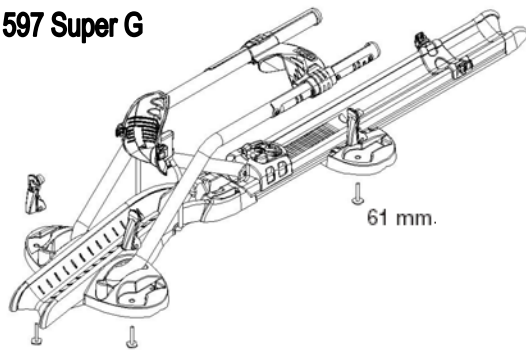
	597 Super G	598 Criterium
Front bar	61mm x 2	61mm x 2
Rear bar	61mm x 1	35mm x 1

- Insert appropriate length t-bolts into front and rear bar as shown.



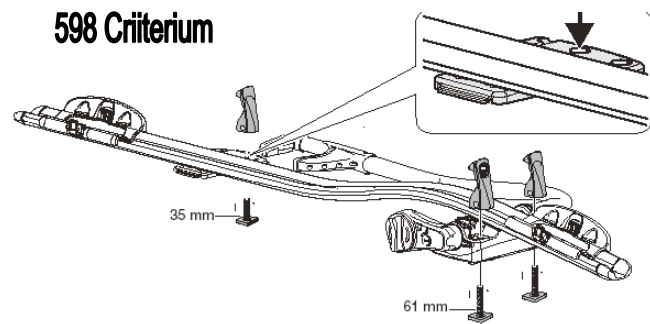
-
- Place carrier on load bars and align bolts with holes in mounting plates.

597 Super G



61 mm. 61 mm.

598 Criterion



- Fasten carrier to bars with t-bolt and handles.
- Use the handle with lock hole on bike loading side of front mounting plate.

- Rotate handle to tighten.

- Close handle.

NOTE: There should be firm pressure on handle when closing. Adjust as necessary.

FOLLOW BIKE CARRIER INSTRUCTIONS FOR BIKE LOADING AND UNLOADING.
