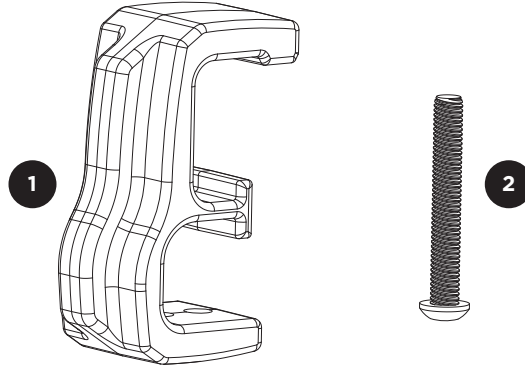


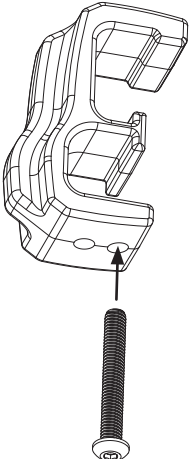
PARTS INCLUDED •



part	description	part number	qty.
1	Base Clamp (non-locking) /	8523303001	8
2	XK3 Hardware Bag /	7521466001	1
	3/8-16 x 2 1/4 BHCS /	—	8

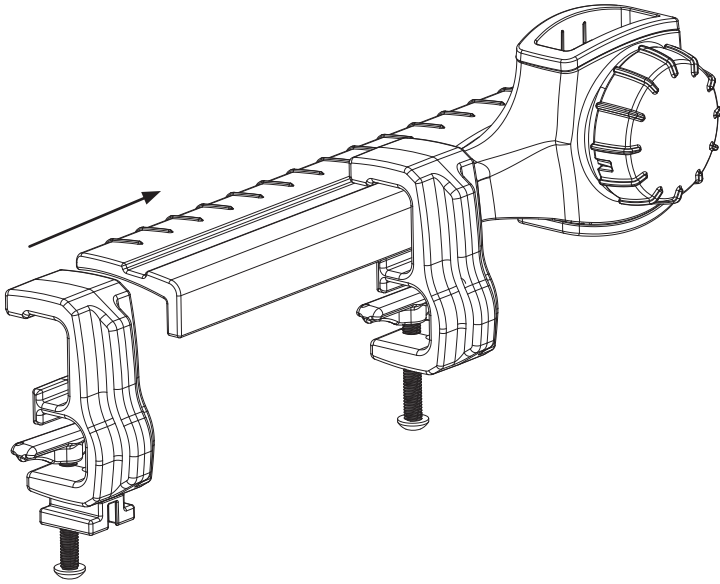
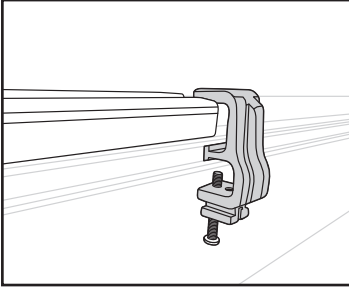
NOTE: The following instructions are intended for use together with the Xsporter Pro 500/500XT. Once Base Assemblies are ready for truck installation, refer to XK3 Clamp assembly and installation below.

1



- Thread BHCS into bottom, front hole of Clamp and place Clamp Foot on top of BHCS.

2



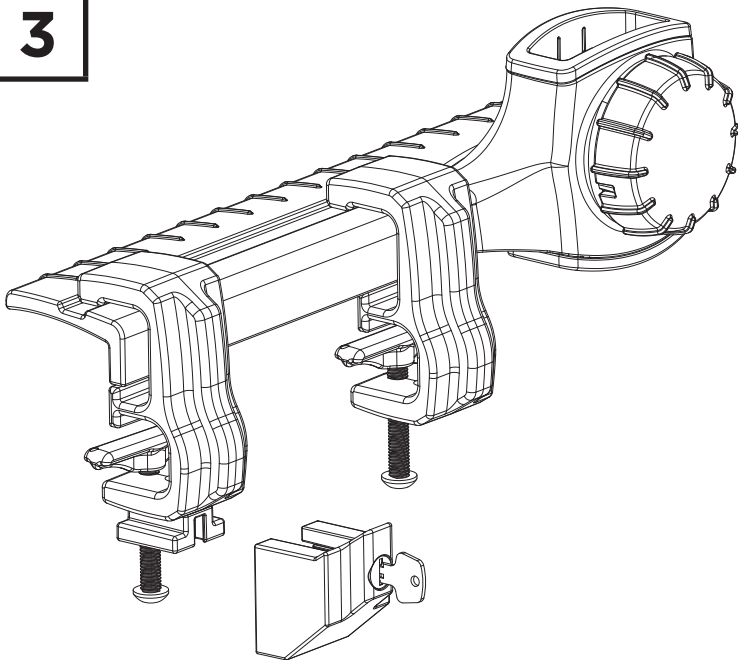
- Refer to Xsporter Pro instructions for Base Assembly placement.

- Slide center T of Clamp into Tacoma bed rail and top of Clamp over Base Assembly. Slide as close to Upright as possible and hand tighten. Repeat with second Clamp and hand tighten.

- Repeat with remaining Clamps.

WARNING: Clamp spacing of less than 3" (76.2mm) reduces rack load capacity. If truck bed design prevents proper clamp position, move Base Assembly along bedrail until proper Clamp spacing is possible.

3



- The Xsporter Pro includes components that provide a fully locking system (truck to rack), and are compatible with XK3 Tacoma Clamps.

- To assemble the locking clamps, remove T-Slide castings from Xsporter Pro Clamps and install on XK3 Tacoma Clamps.

- Continue installation following steps from Xsporter Pro instructions.

THULE RACK GUIDELINES

When using Thule Load carriers and accessories, the user must understand the precautions. The points listed below will assist you in using the rack system and will encourage safety.

- For quality fits and safety, use only the recommended rack or accessory as stated in Thule's current Fit Guide. Do not assume a rack will fit, always check the current Fit Guide when obtaining a new vehicle.
- The maximum load specified in the assembly instructions is not to be exceeded. However, this limit is always subordinate to the maximum load recommended by the manufacturer of the car itself. It is always the lower maximum recommended load that applies. Max roof load = load carrier weight + any fitted carrier accessories + the weight of the load itself.
- Always make sure all doors are open when mounting a roof rack system. Make sure all knobs, bolts, screws, straps, and locks are firmly attached, tightened and locked before every trip. Knobs, bolts, screws, straps and locks must be periodically inspected for signs of wear, corrosion, and fatigue. Check your load at stops during the trip to ensure continued fastening security.
- Check local and state laws governing projection of objects beyond the perimeter of a vehicle. Be aware of the width and height of your cargo since low clearance branches, bridges, and parking garages can affect the load. All cargo will affect the vehicle's driving behavior. Never drive with any lock, knob or rack in an open or unlocked position. All long loads such as, but not limited to, sailboards, surfboards, kayaks, canoes, and lumber must be tied down front and rear to the bumpers or tow hooks of the vehicle.
- Remove your Thule rack and accessories when they are not in use and before entering automatic car washes.
- All locks must be turned and moved periodically to ensure smooth operation. Use graphite or dry lubricant to help this. Thule locks are designed to deter vandalism and theft but should not be considered theft proof. Remove valuable gear if your vehicle is unattended for an extended period. Place at least one key in the glove compartment.
- For safety to your vehicle and rack system, obey all posted speed limits and traffic cautions. Adapt your speed to the conditions of the road and the load being carried.
- Do not use Thule load carriers and accessories for purposes other than those for which they were designed. Do not exceed their carrying capacity. Failure to follow these guidelines or the product's instructions will void the warranty.
- All loads must be secured using the provided straps.
- Consult with your Thule dealer if you have any questions regarding the operations and limits of Thule products. Review all instructions and warranty information carefully.
- Not for use on trailers or towed vehicles.
- Not for offroad use.
- Keep bicycle tires away from hot exhaust.

**THULE CAR RACK SYSTEMS
LIMITED LIFETIME WARRANTY**

THULE will warranty all THULE brand car rack systems and its accessories manufactured by THULE during the time that an original retail purchaser owns the product. This warranty terminates if a purchaser transfers the product to any other person.

Subject to the limitations and exclusions described in this warranty, THULE will remedy defects in materials or workmanship by repairing or replacing, at its option, a defective product without charge for parts or labor. In addition, THULE may elect, at its option, not to repair or replace a defective product but rather issue to a purchaser a refund equal to the purchase price paid for the product or a credit to be used toward the purchase of a new THULE load carrier system.

No warranty is given for defects caused by normal wear and tear, cosmetic rust, scratches, accidents, unlawful vehicle operation, or modification of, or any types of repair of, a load carrier system other than those authorized by THULE.

No warranty is given for defects resulting from conditions beyond THULE's control including, but not limited to, misuse, overloading, or failure to assemble, mount or use the product in accordance with THULE's written instructions or guidelines included with the product or made available to the purchaser.

In the event that a product is defective, the purchaser should contact the THULE dealer from whom the product was purchased or an Authorized Thule Service Center. If the dealer or Authorized Thule Service Center is not able to correct the defect, the purchaser should contact THULE in writing or by phone using the contact information listed at the bottom of this page.

In the event that a product needs to be returned to THULE, a THULE technician at the address or telephone number listed below will provide the purchaser with the appropriate mailing address and any additional instructions. Please note that the purchaser will be responsible for the cost of mailing the product to THULE and that proof of purchase in the form of an original purchase invoice or receipt and a detailed description of the defect must be included in the mailing.

**DISCLAIMER OF LIABILITY
REPAIR OR REPLACEMENT OF A DEFECTIVE PRODUCT
OR THE ISSUANCE OF A REFUND OR CREDIT (AS
DETERMINED BY THULE) IS A PURCHASER'S EXCLUSIVE
REMEDY UNDER THIS WARRANTY. DAMAGE TO A
PURCHASER'S VEHICLE, CARGO AND/OR TO ANY OTHER
PERSON OR PROPERTY IS EXCLUDED.**

**THIS WARRANTY IS EXPRESSLY MADE IN LIEU OF ANY
AND ALL OTHER WARRANTIES, EXPRESS OR IMPLIED,
INCLUDING THE WARRANTIES OF MERCHANTABILITY
AND FITNESS FOR A PARTICULAR PURPOSE.**

**THULE'S SOLE LIABILITY TO ANY PURCHASER IS LIMITED
TO THE REMEDY SET FORTH ABOVE. IN NO EVENT WILL
THULE BE LIABLE FOR ANY LOST PROFITS, LOST SALES,
OR FOR ANY CONSEQUENTIAL, DIRECT, INDIRECT,
INCIDENTAL, SPECIAL, EXEMPLARY, OR PUNITIVE
DAMAGES OR FOR ANY OTHER DAMAGES OF ANY KIND
OR NATURE.**

**SOME STATES DO NOT ALLOW THE EXCLUSION OR
LIMITATION OF INCIDENTAL OR CONSEQUENTIAL
DAMAGES, SO THE ABOVE LIMITATIONS MAY NOT BE
APPLICABLE.**

**THIS WARRANTY GIVES YOU SPECIFIC LEGAL RIGHTS,
AND YOU MAY ALSO HAVE OTHER RIGHTS WHICH VARY
FROM STATE TO STATE.**