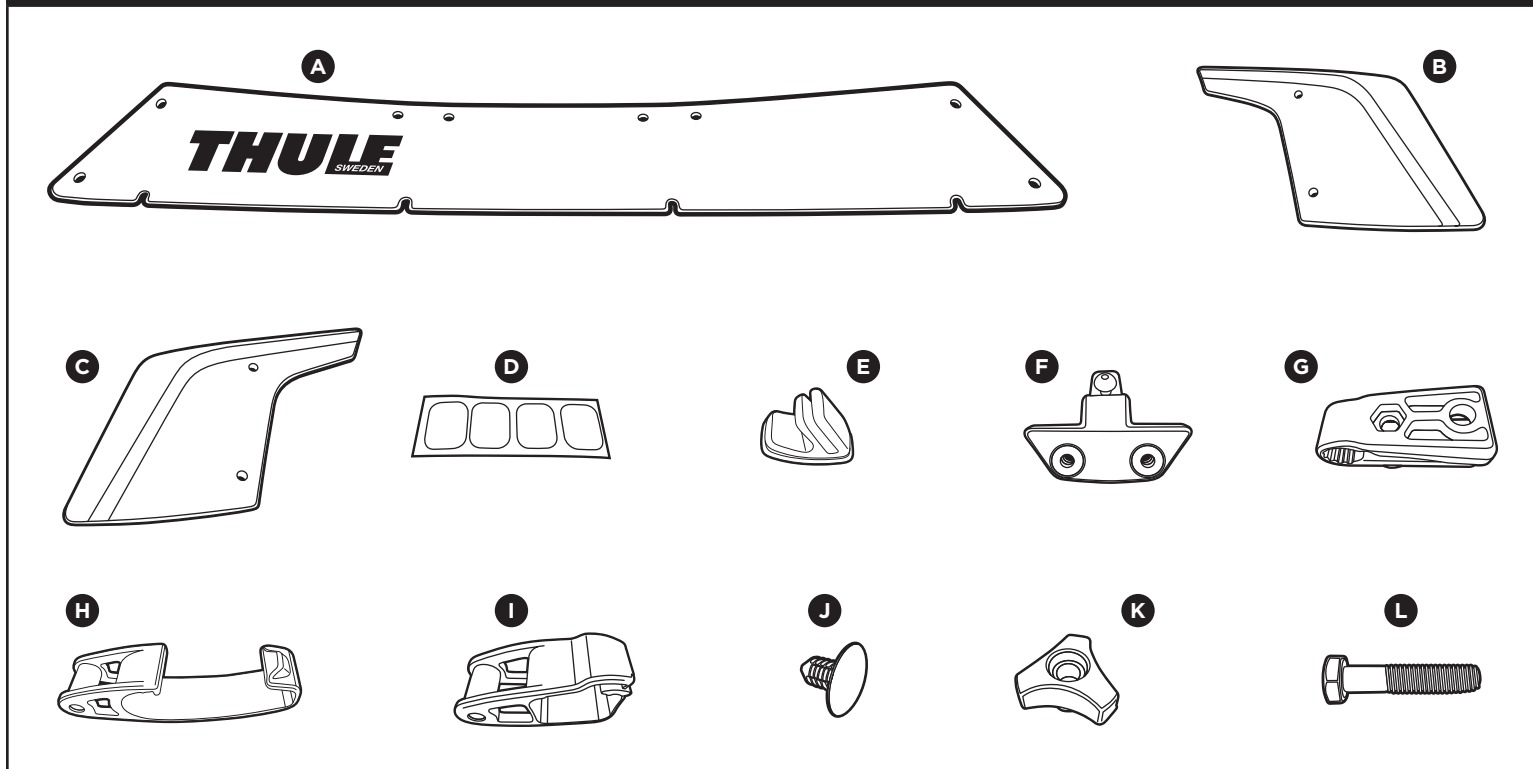


# THULE® SWEDEN AIRSCREEN 8700, 8701, 8702, 8703

EN = North American English

## EN PARTS INCLUDED

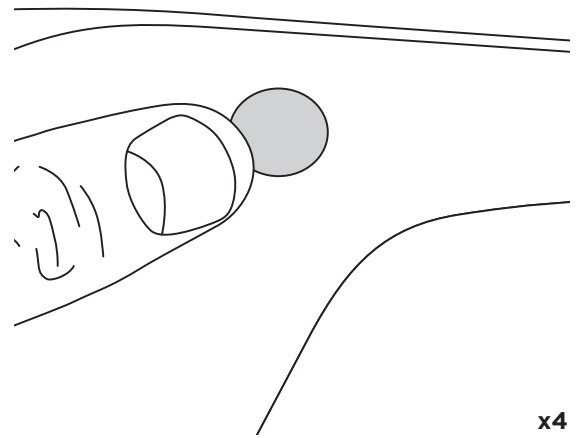
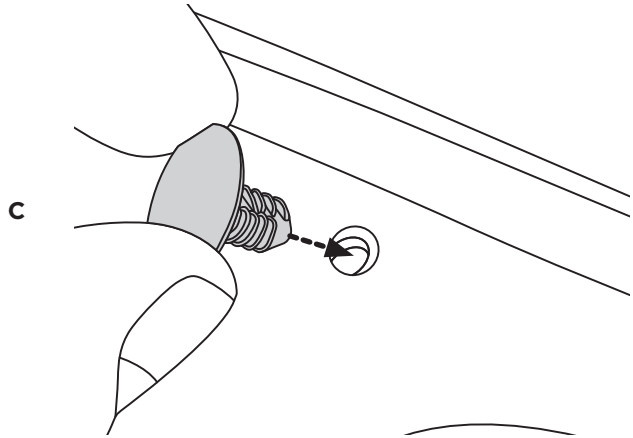
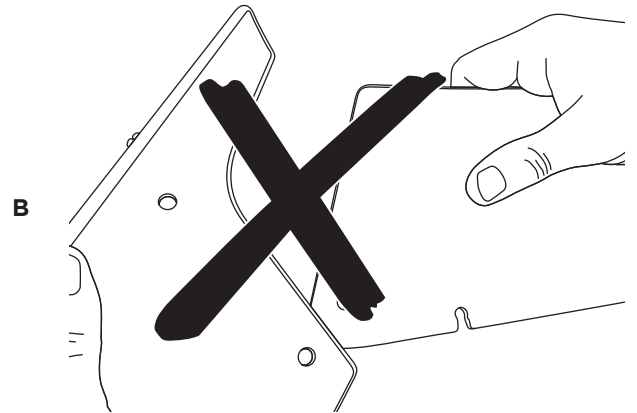
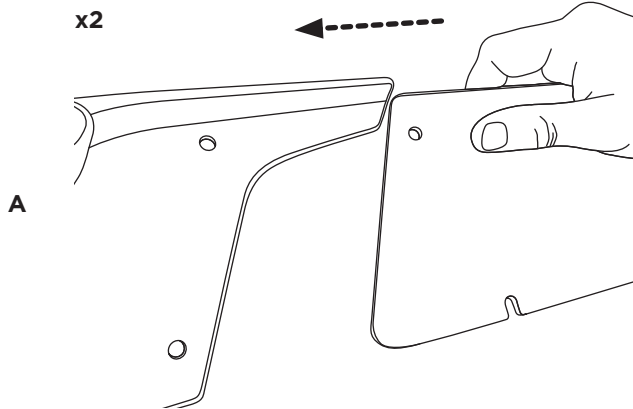


EN part	EN description	EN 8700 qty.	EN 8701, 8702, 8703 qty.
A	EN fairing blade	1	1
B	EN driveside wing	1	1
C	EN non-driveside wing	1	1
D	EN protective roof decals	1	1
E	EN foot	3	4
F	EN center bracket with ball	1	2
G	EN pivot arm	3	4
H	EN AeroBlade clip	3	4
I	EN SquareBar clip	3	4
J	EN rivet fastener	6	8
K	EN 3-wing knob	3	4
L	EN 30mm screw	3	4

## EN

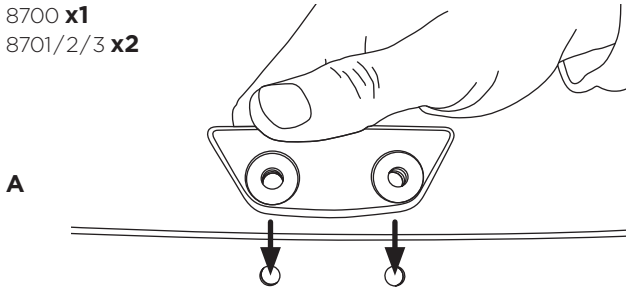
### WARNINGS / LIMITATIONS:

- DO NOT attempt to assemble AirScreen prior to reading instructions. Damage to fairing blade may result.
- DO NOT use with soft sided cargo bags.
- CAUTION: The Thule AeroBlade and AeroBlade Edge are highly engineered systems that are already optimized for minimal noise. It is possible that adding the AirScreen to these systems may actually increase the amount of noise they generate.
- If your vehicle has a sunroof it may be unable to be used if AirScreen is positioned on or near it. Damage to your sunroof may result if you attempt to operate it with AirScreen interference.
- Wash your vehicle's surface in the area where the AirScreen will be fitted prior to installation.
- Remove protective film on both sides of AirScreen prior to installation.

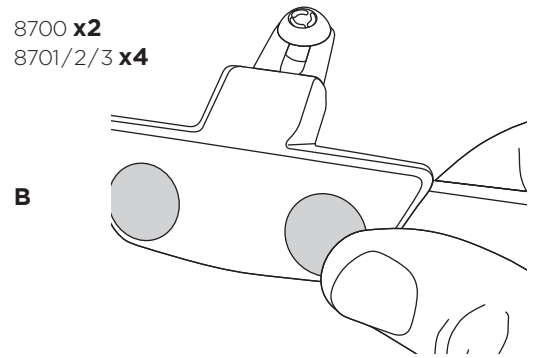
**EN**

- A. After removing both sides of protective film, start with upper edge and slide AirScreen blade into wing. The ball on the back of the wing points back to the roof rack, the flat surface faces forward towards the windshield.
- B. DO NOT install as shown in image B. This will likely result in scratches to the surface of your AirScreen.
- C. Push rivet fasteners into holes of both wings.

8700 **x1**  
8701/2/3 **x2**

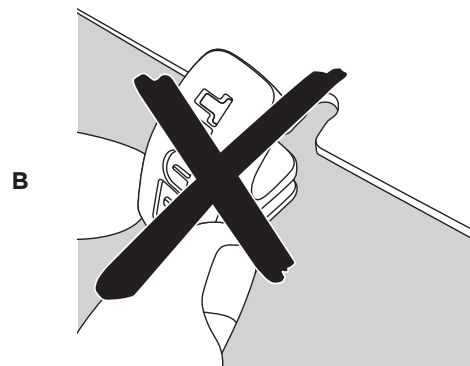
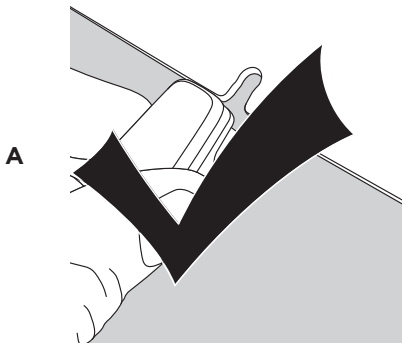


8700 **x2**  
8701/2/3 **x4**

**EN**

- A. Push the center brackets into place being sure to align with holes in AirScreen. The ball on the back of the center bracket points back to the roof rack, the flat surface faces forward towards the windshield.
- B. Push rivet fasteners into holes of center brackets.

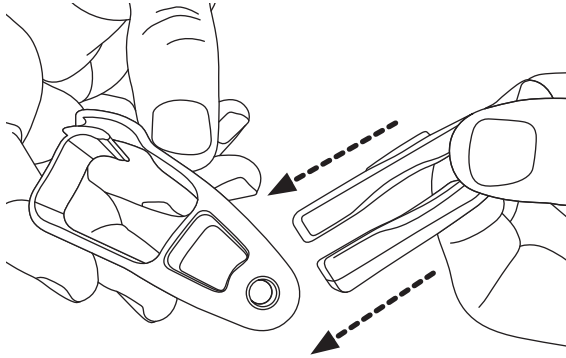
8700 **x3**  
8701/2/3 **x4**

**EN**

- Install feet into notches in AirScreen.  
Rubber should face vehicle surface as shown in image A.

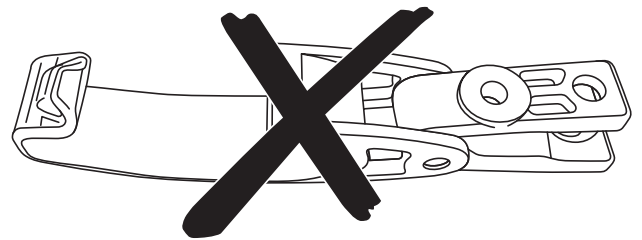
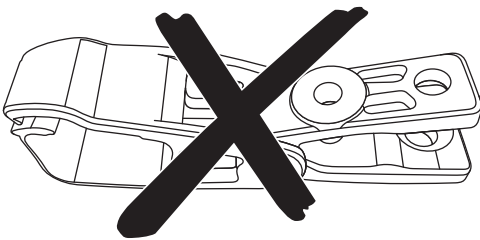
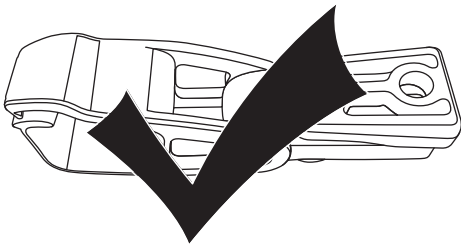
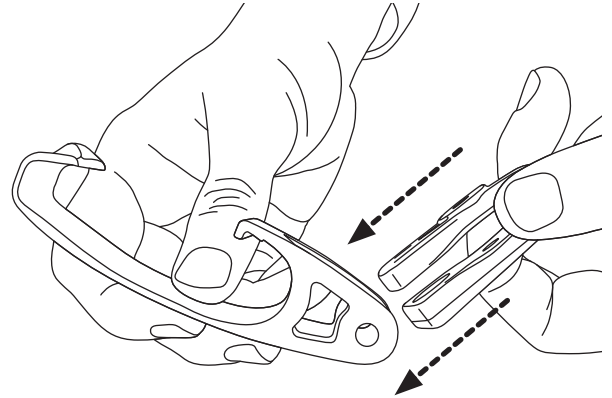
A

EN SquareBar

8700 **x3**  
8701/2/3 **x4**

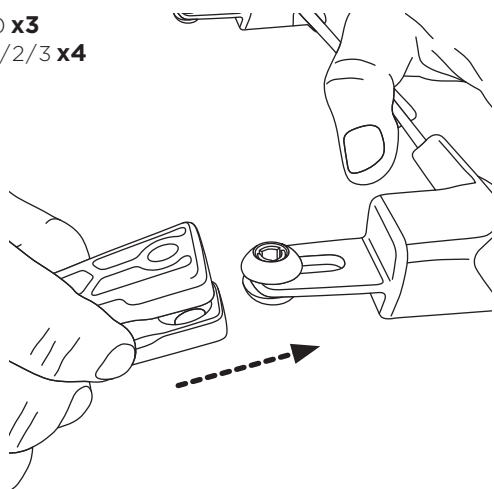
B

EN AeroBlade

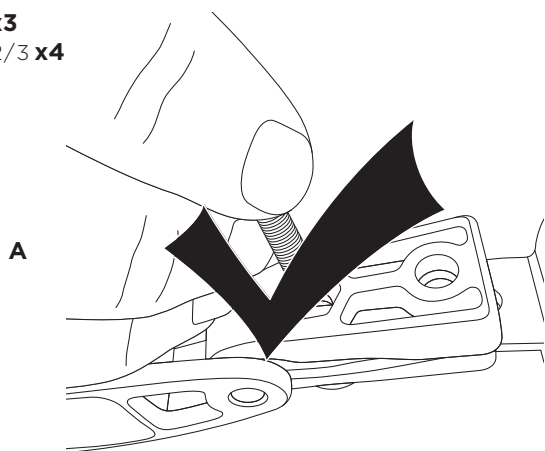
**EN**

- Choose either Thule SquareBar or AeroBlade clips and connect them to the pivot arms.

NOTE: Pay close attention to the orientation of the pivot arms on the clips, as shown above. Improper assembly will make installation of the complete AirScreen difficult or impossible.

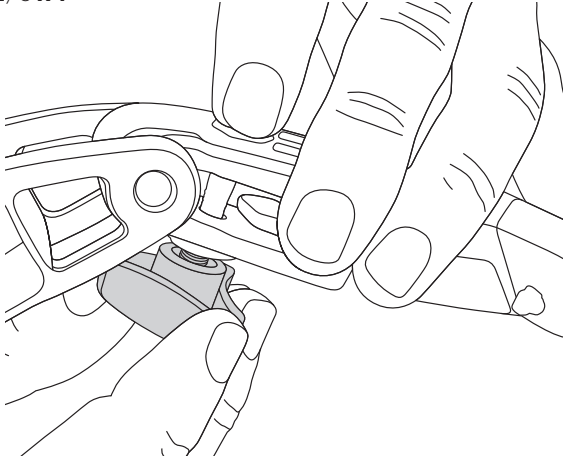
**5****EN BRACKET ASSEMBLY**8700 **x3**  
8701/2/3 **x4****EN**

- Spread the assembled pivot arms and push them onto the wings and center brackets. The hexagonal hole in the pivot arms must face up.

**6****EN BRACKET ASSEMBLY**8700 **x3**  
8701/2/3 **x4****EN**

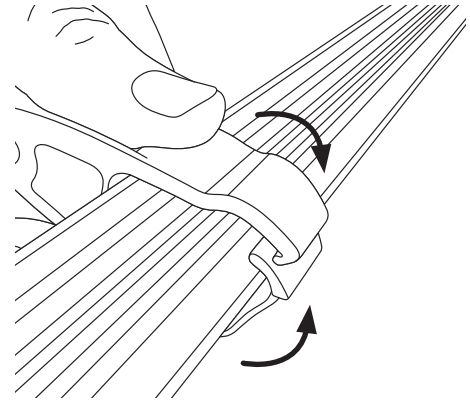
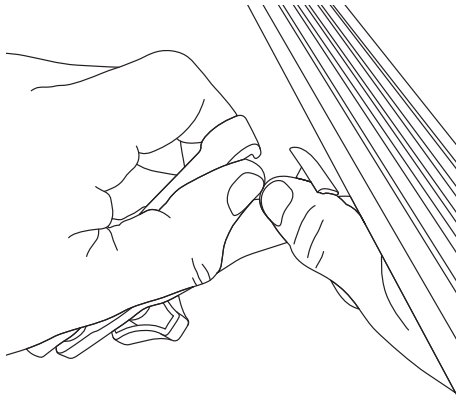
- Insert a screw into the hexagonal hole on top of each pivot arm.

8700 **x3**  
8701/2/3 **x4**

**EN**

- Loosely tighten each 3-wing knob (2-3 turns). The AirScreen is now fully assembled and ready to be installed onto your vehicle's load bars.

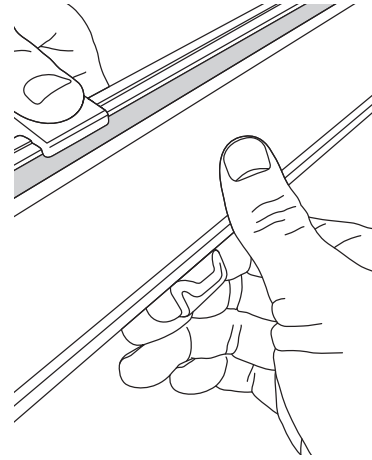
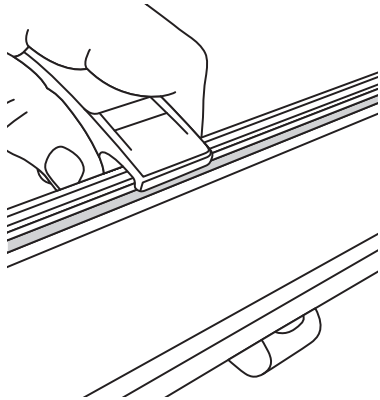
8700 **x3**  
8701/2/3 **x4**

**EN**

## SquareBar Installation

- Pry open clips enough so that you can wrap each clip around SquareBar.
- With clip wrapped around SquareBar, push on top and back of open clip until it clicks together.

8700 **x3**  
8701/2/3 **x4**

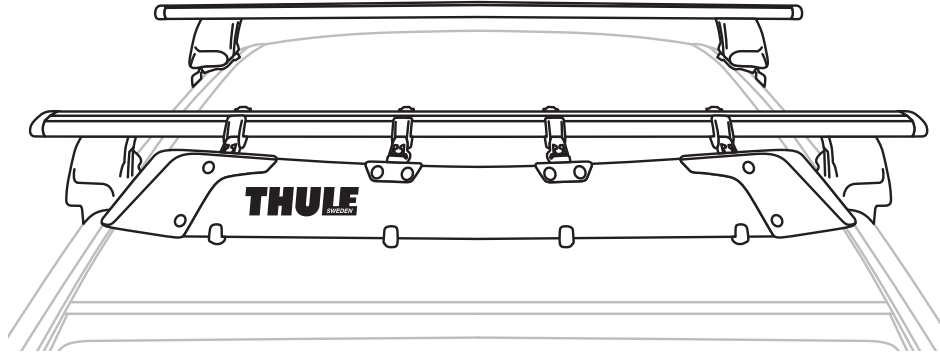
**EN**

## AeroBlade Installation

NOTE: AeroBlades must be installed with the round edge facing forward. If the square edge is facing forward, the roof rack must be removed and re-installed with AeroBlades in the correct orientation.

- Remove rubber cover on top of AeroBlade.
- With clip opening facing up, insert clip hook into the exposed slot on top of the AeroBlade.
- Rotate clip under AeroBlade and pop rear into place with finger.



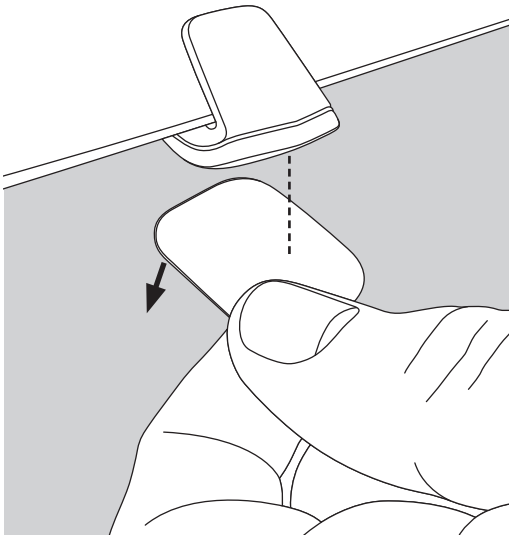
**EN**

- AirScreen should be centered on vehicle with 3-wing knobs loose, equal distance between mounting clips, and all rubber feet making contact with vehicle.
- If any feet are not making contact with vehicle, slide center brackets towards or away from roof rack until all feet touch roof.

**EN**

- Tighten 3-wing knobs securely and adhere clear protective decals to vehicle's clean surface underneath where the feet make contact with the roof.
- DO NOT adhere decals to the actual feet.

NOTE: To keep debris out of AeroBlade top slot, cut top rubber strip to fit around clips and reinstall.



## THULE RACK GUIDELINES

When using Thule Load carriers and accessories, the user must understand the precautions. The points listed below will assist you in using the rack system and will encourage safety.

- For quality fits and safety, use only the recommended rack or accessory as stated in Thule's current Fit Guide. Do not assume a rack will fit, always check the current Fit Guide when obtaining a new vehicle.
- The maximum load specified in the assembly instructions is not to be exceeded. However, this limit is always subordinate to the maximum load recommended by the manufacturer of the car itself. It is always the lower maximum recommended load that applies. **Max roof load = load carrier weight + any fitted carrier accessories + the weight of the load itself.**
- Always make sure all doors are open when mounting a roof rack system. Make sure all knobs, bolts, screws, straps, and locks are firmly attached, tightened and locked before every trip. Knobs, bolts, screws, straps and locks must be periodically inspected for signs of wear, corrosion, and fatigue. Check your load at stops during the trip to ensure continued fastening security.
- Check local and state laws governing projection of objects beyond the perimeter of a vehicle. Be aware of the width and height of your cargo since low clearance branches, bridges, and parking garages can affect the load. All cargo will affect the vehicle's driving behavior. Never drive with any lock, knob or rack in an open or unlocked position. All long loads such as, but not limited to, sailboards, surfboards, kayaks, canoes, and lumber must be tied down front and rear to the bumpers or tow hooks of the vehicle.
- Remove your Thule rack and accessories when they are not in use and before entering automatic car washes.
- All locks must be turned and moved periodically to ensure smooth operation. Use graphite or dry lubricant to help this. Thule locks are designed to deter vandalism and theft but should not be considered theft proof. Remove valuable gear if your vehicle is unattended for an extended period. Place at least one key in the glove compartment.
- For safety to your vehicle and rack system, obey all posted speed limits and traffic cautions. Adapt your speed to the conditions of the road and the load being carried.
- Do not use Thule load carriers and accessories for purposes other than those for which they were designed. Do not exceed their carrying capacity. Failure to follow these guidelines or the product's instructions will void the warranty.
- All loads must be secured using the provided straps.
- Consult with your Thule dealer if you have any questions regarding the operations and limits of Thule products. Review all instructions and warranty information carefully.
- Not for use on trailers or towed vehicles.
- Not for offroad use.
- Keep bicycle tires away from hot exhaust.

THULE CAR RACK SYSTEMS LIMITED LIFETIME WARRANTY  
[EFFECTIVE JANUARY 1, 2006]

THULE will warranty all THULE brand car rack systems and its accessories manufactured by THULE during the time that an original retail purchaser owns the product. This warranty terminates if a purchaser transfers the product to any other person.

Subject to the limitations and exclusions described in this warranty, THULE will remedy defects in materials or workmanship by repairing or replacing, at its option, a defective product without charge for parts or labor. In addition, THULE may elect, at its option, not to repair or replace a defective product but rather issue to a purchaser a refund equal to the purchase price paid for the product or a credit to be used toward the purchase of a new THULE load carrier system.

No warranty is given for defects caused by normal wear and tear, cosmetic rust, scratches, accidents, unlawful vehicle operation, or modification of, or any types of repair of, a load carrier system other than those authorized by THULE.

No warranty is given for defects resulting from conditions beyond THULE's control including, but not limited to, misuse, overloading, or failure to assemble, mount or use the product in accordance with THULE's written instructions or guidelines included with the product or made available to the purchaser.

In the event that a product is defective, the purchaser should contact the THULE dealer from whom the product was purchased or an Authorized Thule Service Center. If the dealer or Authorized Thule Service Center is not able to correct the defect, the purchaser should contact THULE in writing or by phone using the contact information listed at the bottom of this page.

In the event that a product needs to be returned to THULE, a THULE technician at the address or telephone number listed below will provide the purchaser with the appropriate mailing address and any additional instructions. Please note that the purchaser will be responsible for the cost of mailing the product to THULE and that proof of purchase in the form of an original purchase invoice or receipt and a detailed description of the defect must be included in the mailing.

DISCLAIMER OF LIABILITY  
REPAIR OR REPLACEMENT OF A DEFECTIVE PRODUCT OR THE ISSUANCE OF A REFUND OR CREDIT (AS DETERMINED BY THULE) IS A PURCHASER'S EXCLUSIVE REMEDY UNDER THIS WARRANTY. DAMAGE TO A PURCHASER'S VEHICLE, CARGO AND/OR TO ANY OTHER PERSON OR PROPERTY IS EXCLUDED.

THIS WARRANTY IS EXPRESSLY MADE IN LIEU OF ANY AND ALL OTHER WARRANTIES, EXPRESS OR IMPLIED, INCLUDING THE WARRANTIES OF MERCHANTABILITY AND FITNESS FOR A PARTICULAR PURPOSE.

THULE'S SOLE LIABILITY TO ANY PURCHASER IS LIMITED TO THE REMEDY SET FORTH ABOVE. IN NO EVENT WILL THULE BE LIABLE FOR ANY LOST PROFITS, LOST SALES, OR FOR ANY CONSEQUENTIAL, DIRECT, INDIRECT, INCIDENTAL, SPECIAL, EXEMPLARY, OR PUNITIVE DAMAGES OR FOR ANY OTHER DAMAGES OF ANY KIND OR NATURE.

SOME STATES DO NOT ALLOW THE EXCLUSION OR LIMITATION OF INCIDENTAL OR CONSEQUENTIAL DAMAGES, SO THE ABOVE LIMITATIONS MAY NOT BE APPLICABLE.

THIS WARRANTY GIVES YOU SPECIFIC LEGAL RIGHTS, AND YOU MAY ALSO HAVE OTHER RIGHTS WHICH VARY FROM STATE TO STATE.