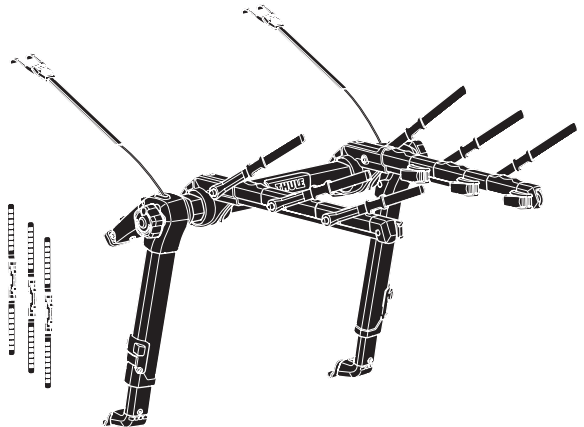
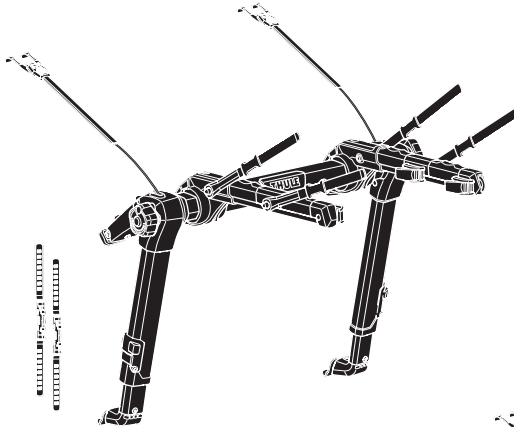
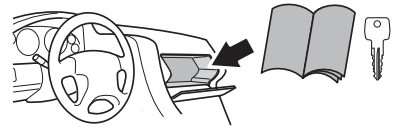
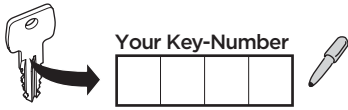


➤ Instructions

Thule OutWay Hanging 2&3



i



**Thule OutWay
Hanging 2**

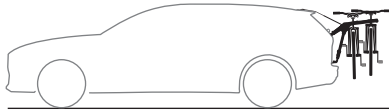


**Thule OutWay
Hanging 3**



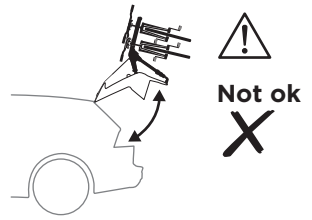
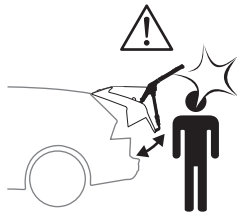
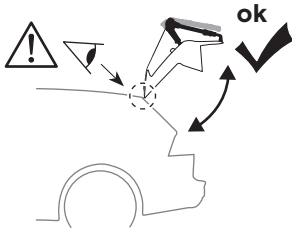
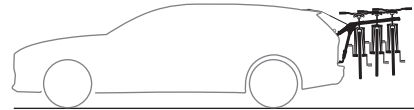
Max 30 kg

Max 15 kg Max 15 kg



Max 45 kg

Max 15 kg Max 15 kg Max 15 kg



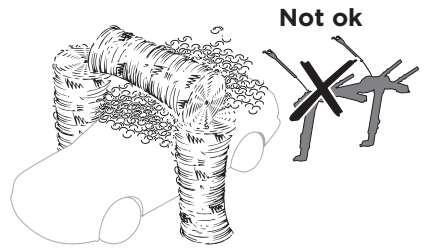
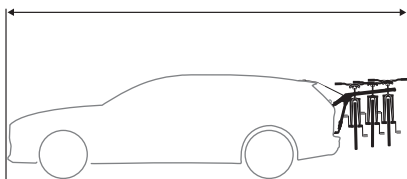
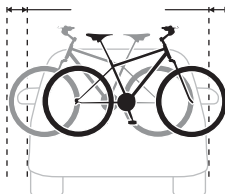
Thule Bike Frame Adapter

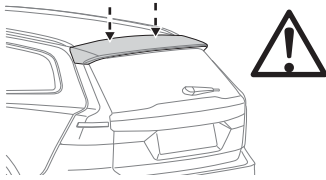
982



Max 20 cm

Max 20 cm



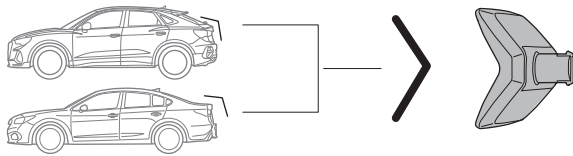
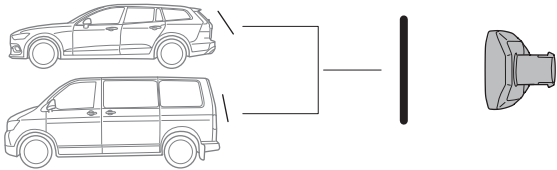


EN If plastic spoiler is in the area where upper hooks will be mounted, always use the spoiler kit with the reinforcement strap, according to separate instruction for **Plastic Spoiler Reinforcement Strap**.

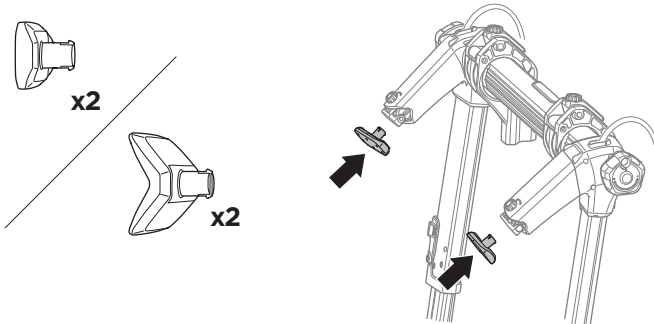
1



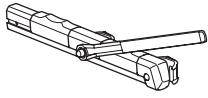
2



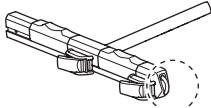
3



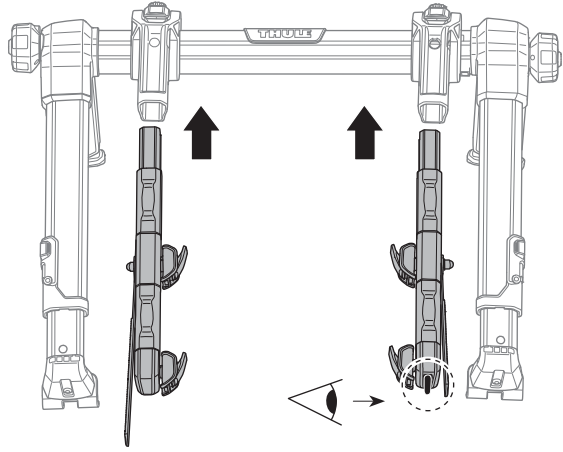
4



x1



x1



5



x2



x2



x2



x2



x1



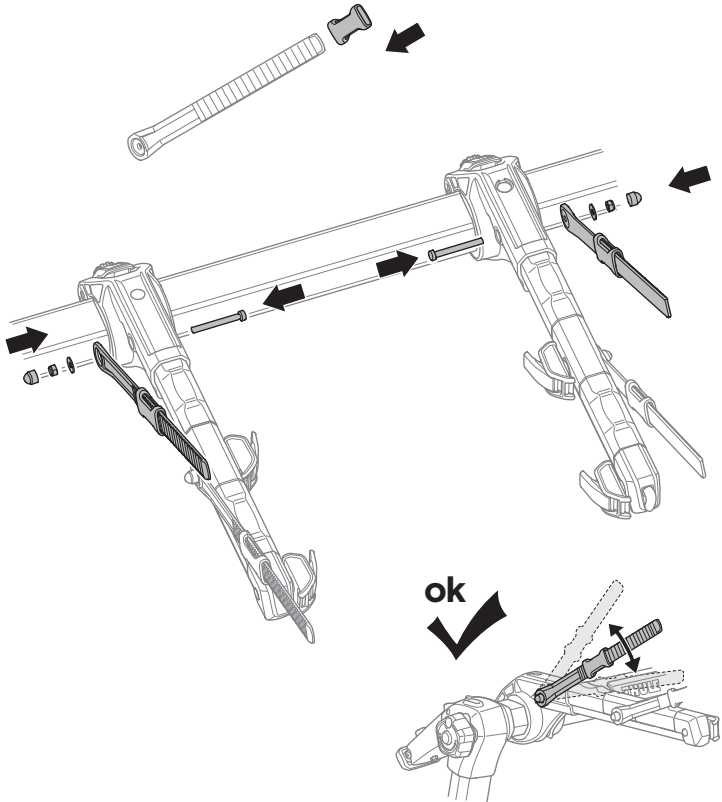
x1



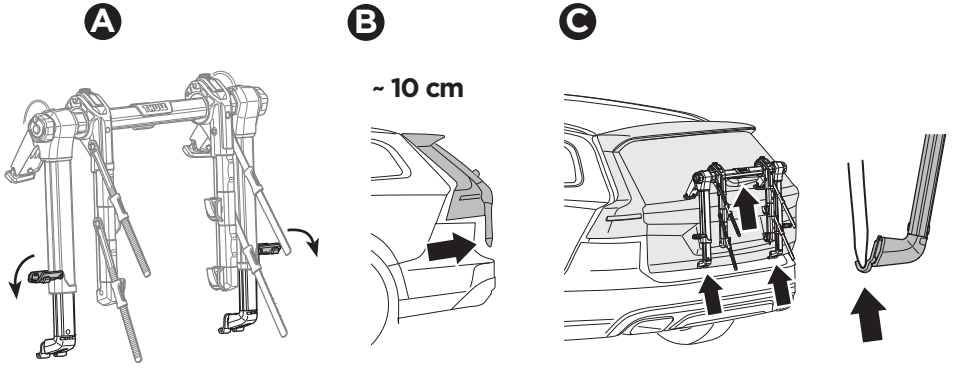
x4(6)



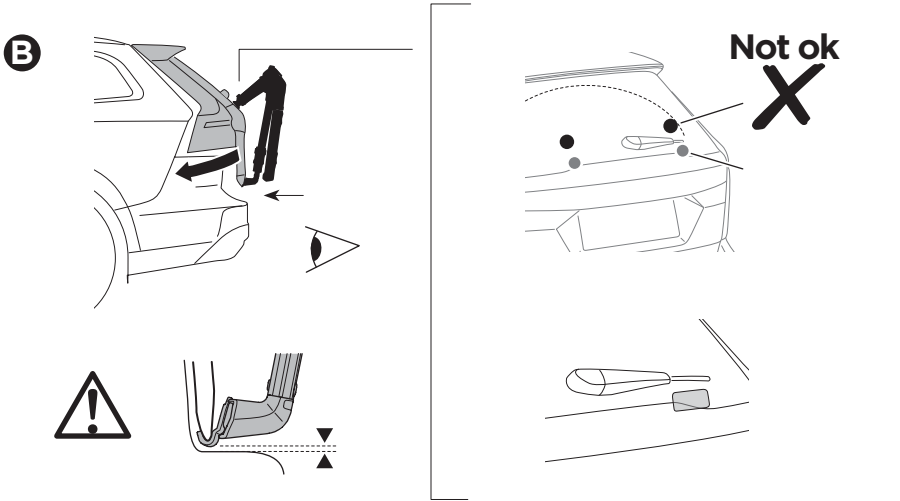
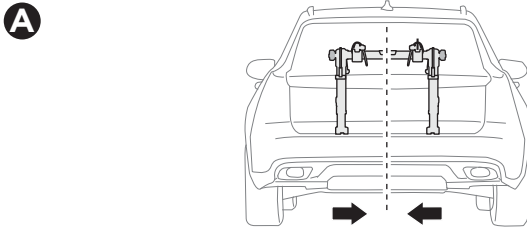
x2



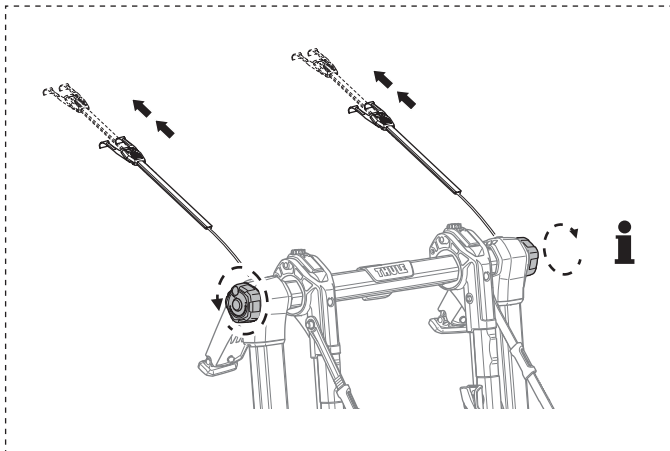
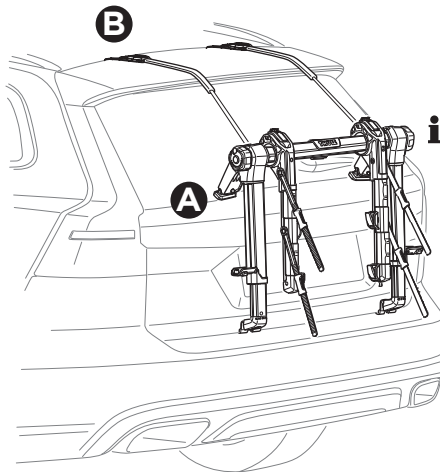
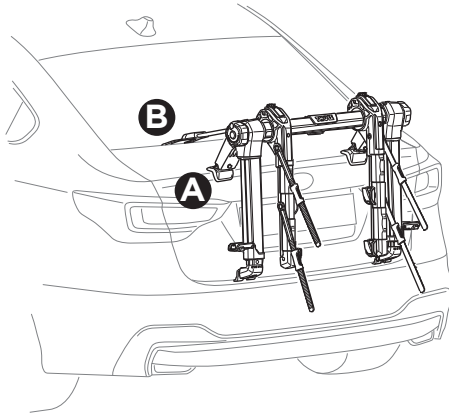
6

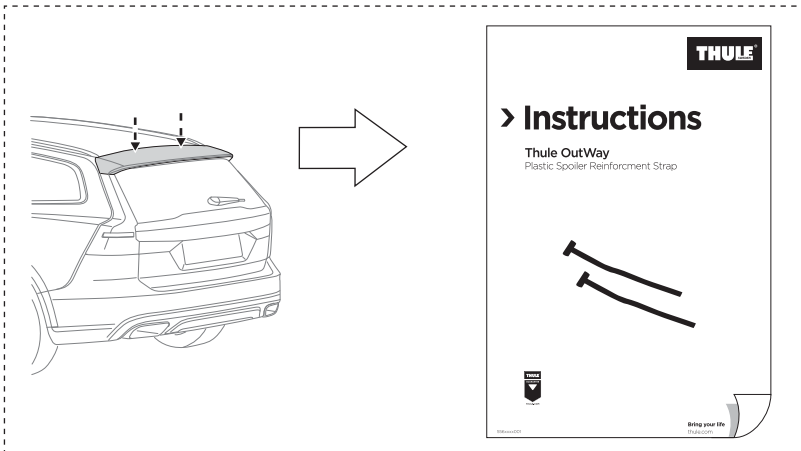
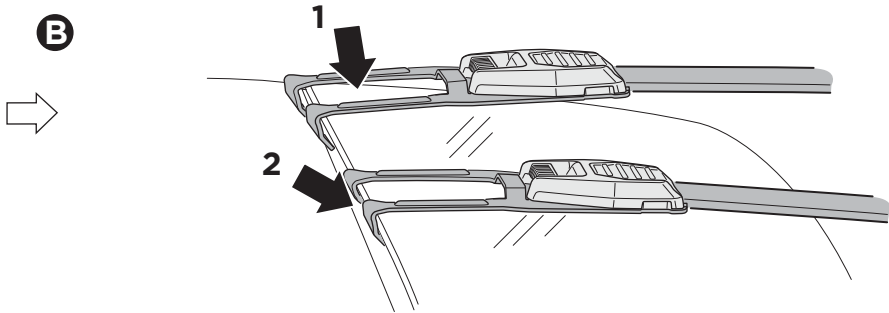
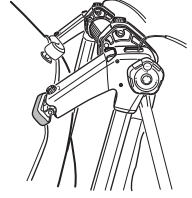
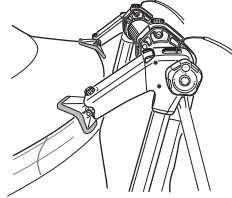
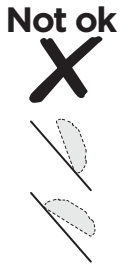
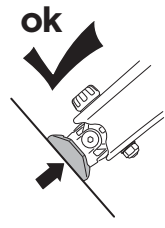
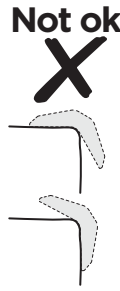
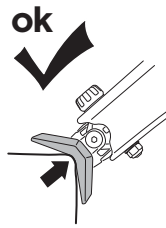
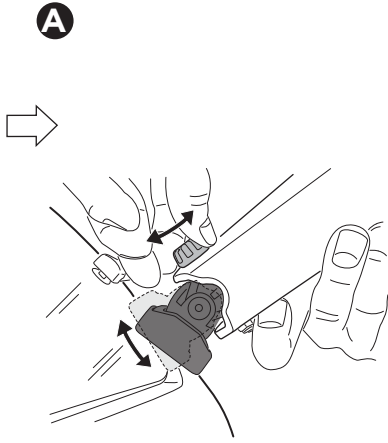


7

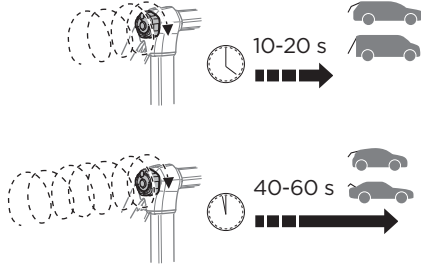
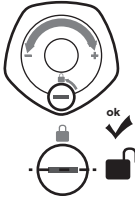
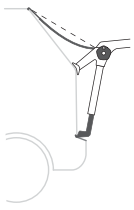


8



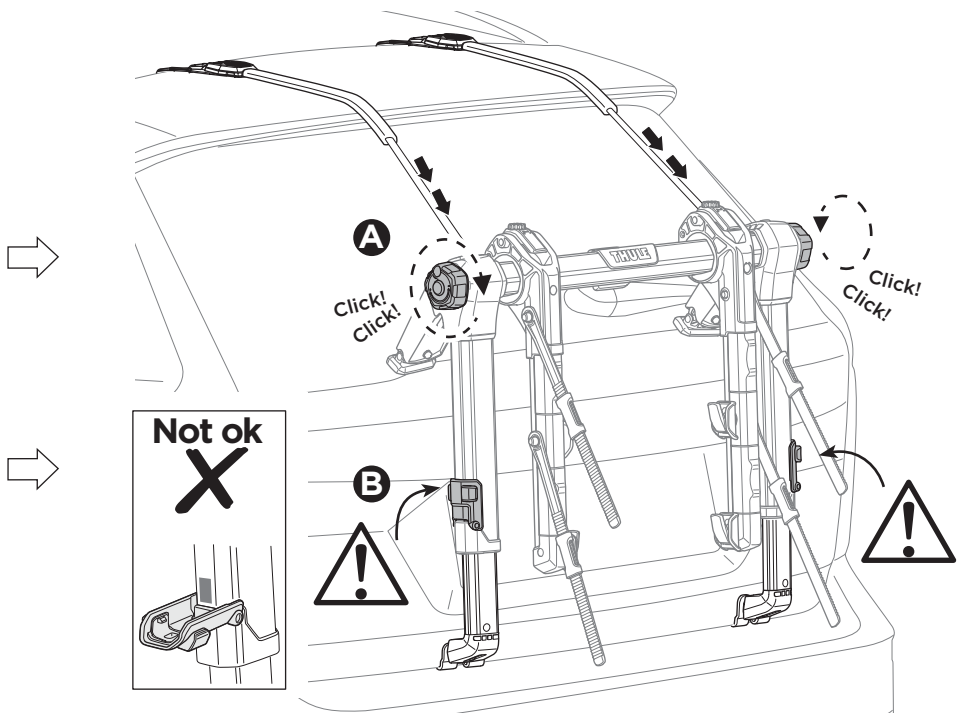


9

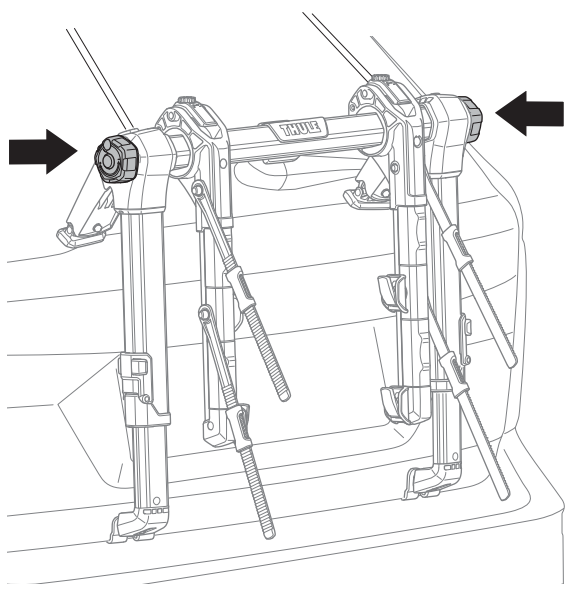


EN The first installation requires many rotations on the knob **A**. After hearing repeated "CLICK" close the hatch **B**.

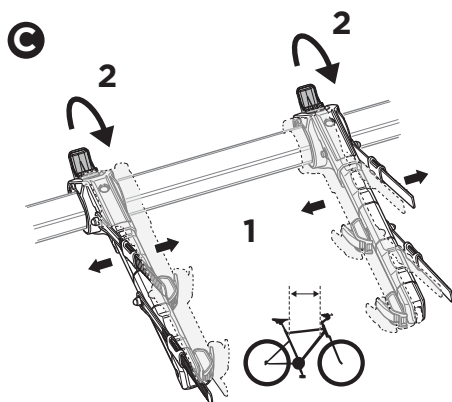
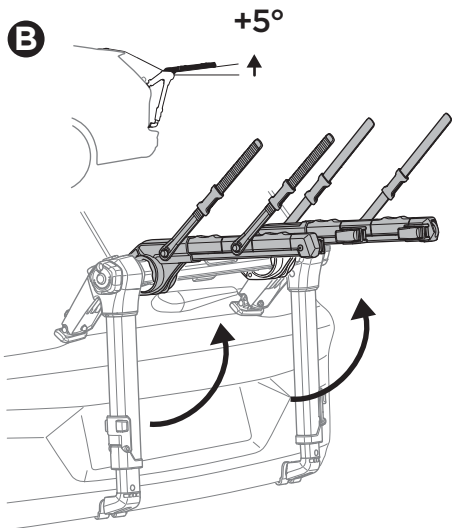
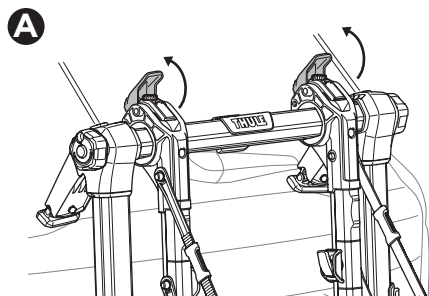




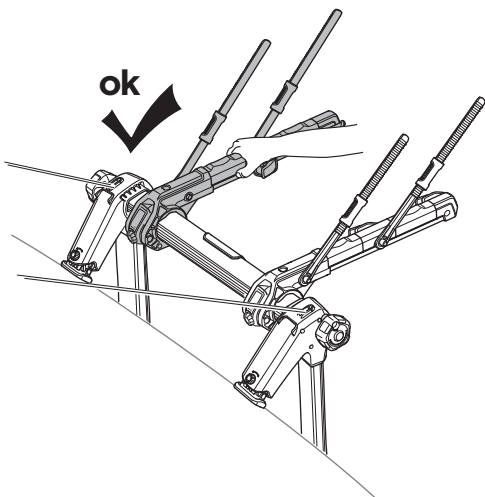
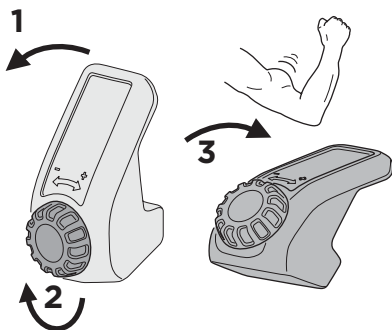
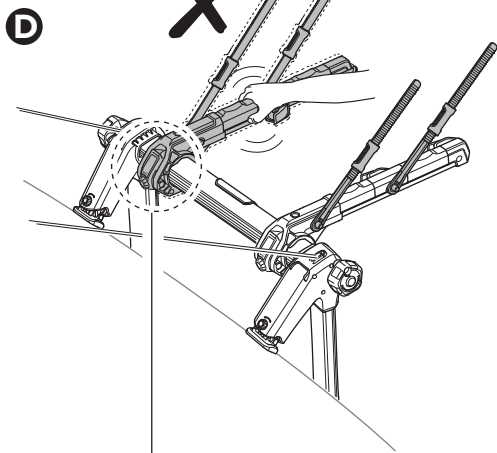
10

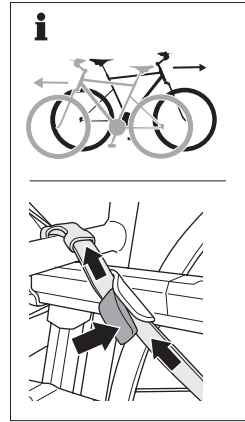
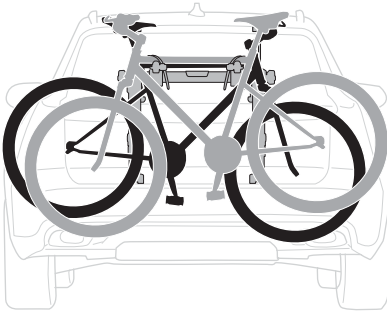


11

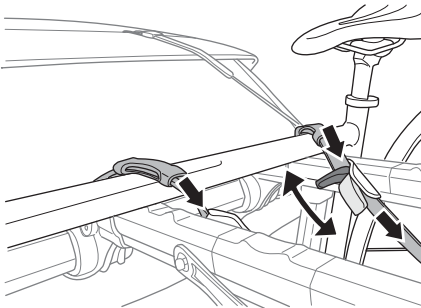


Not ok

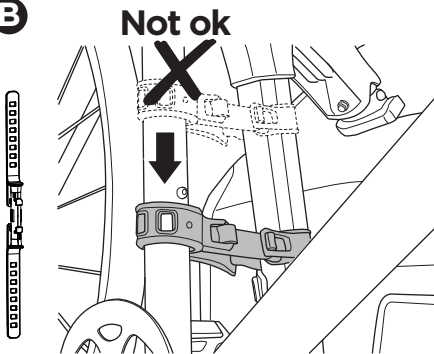




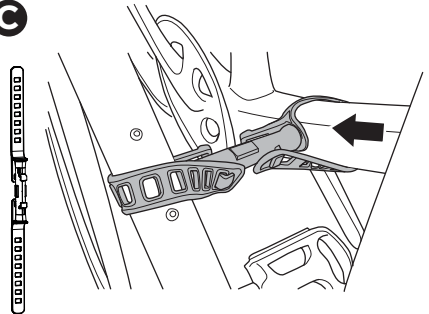
A



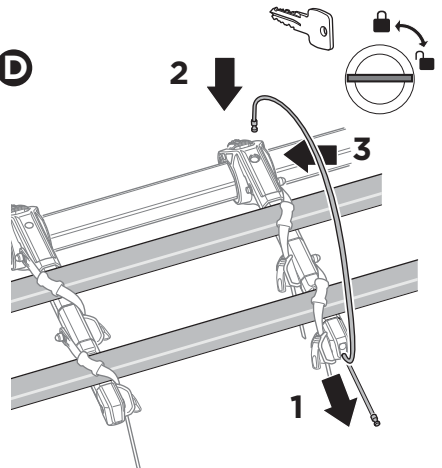
B



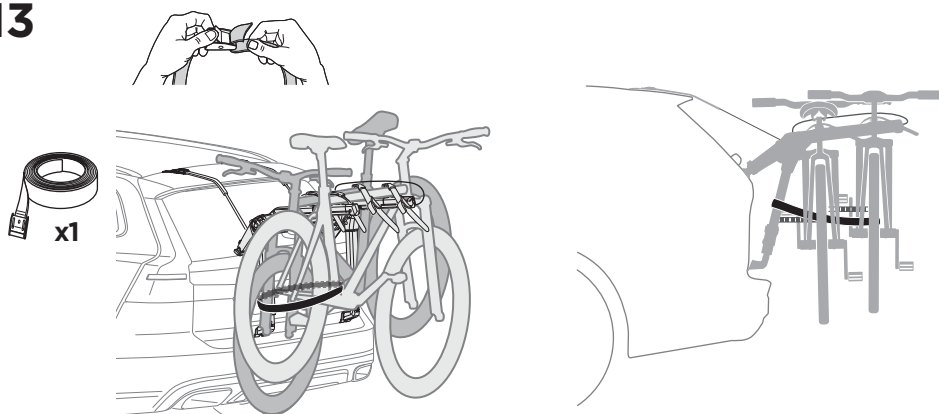
C



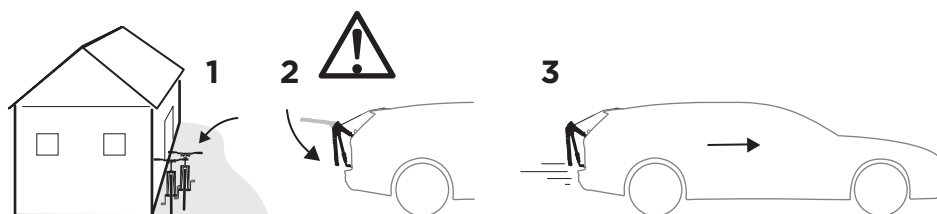
D



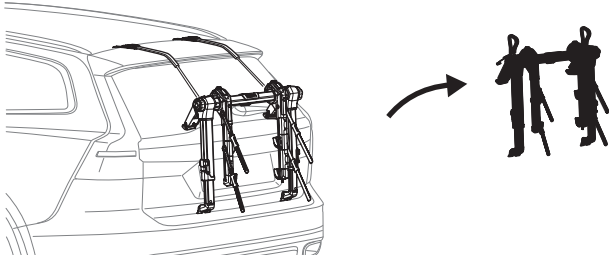
13



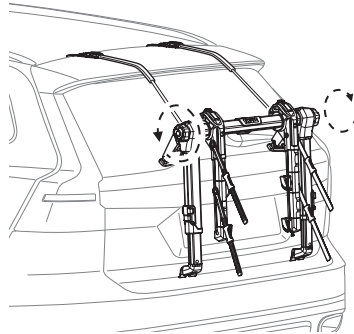
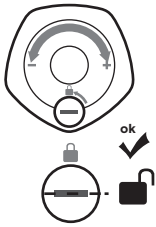
14



i

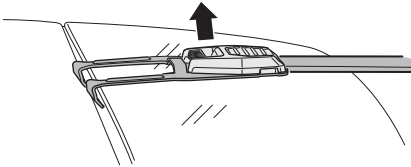


A

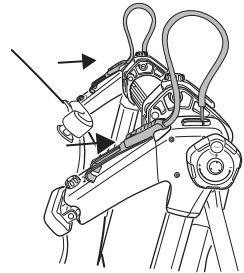


B

1

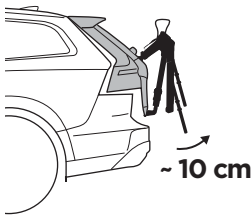


2

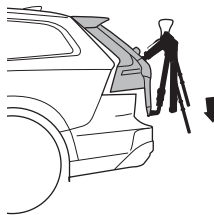


C

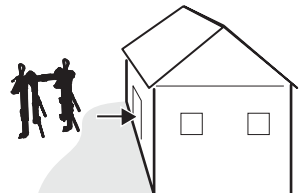
1



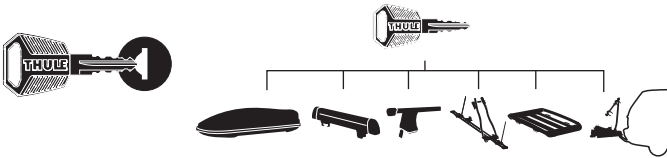
2



3



Thule One-Key System



450400  (x4)

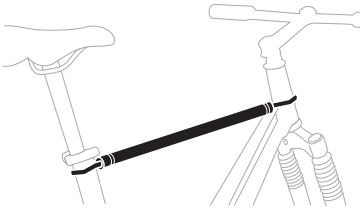
450600  (x6)

450800  (x8)

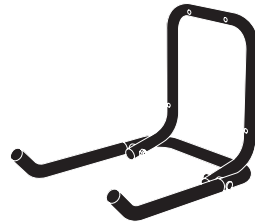
* **451200**  (x12)

* **451600**  (x16)

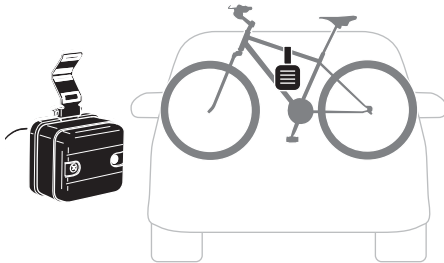
Thule Bike Frame Adapter 982



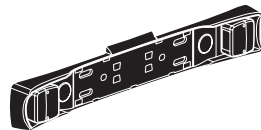
* Thule Wall Hanger 9771



* Thule 3rd Brake Light 9904



* Thule Light Board 976

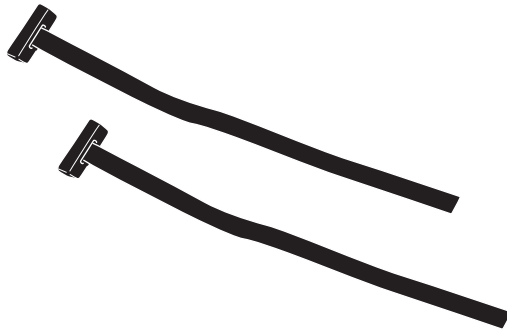


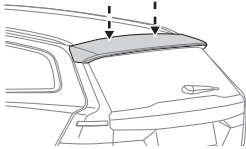
* Only available in select markets

➤ Instructions

Thule OutWay

Plastic Spoiler Reinforcement Strap

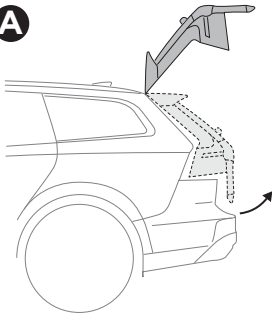




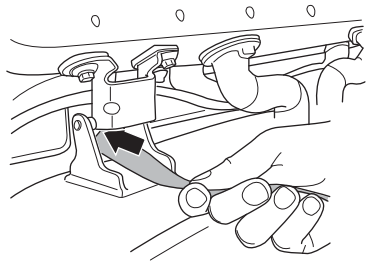
EN If plastic spoiler is in the area where upper hooks will be mounted, always use the spoiler kit with the reinforcement strap according to this instruction.

1

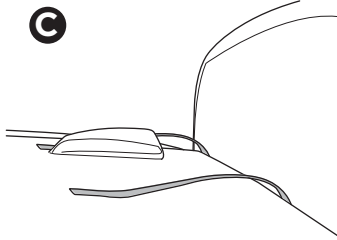
A



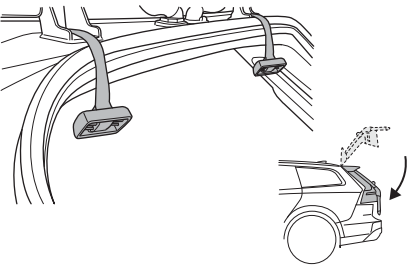
B



C

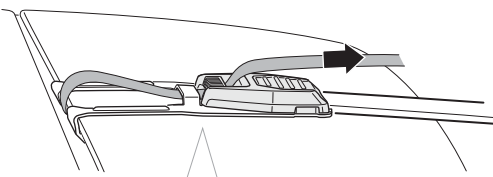


D

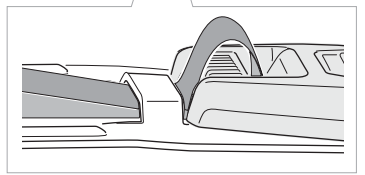
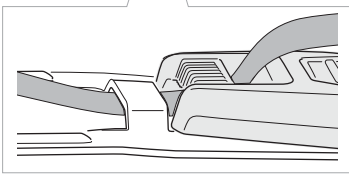
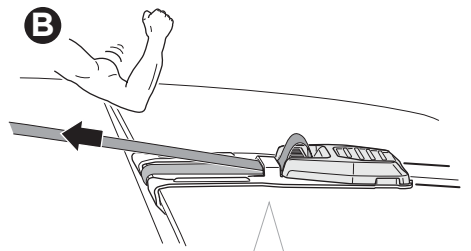


2

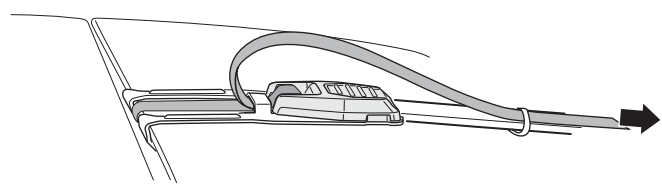
A



B

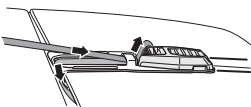


C



EN Important! The strap should be loosened slightly **A**, before opening **B**, and re-tightened again after closing **C**.

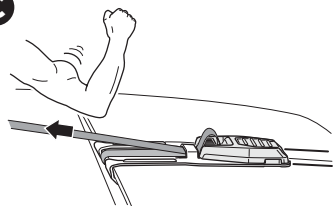
A



B



C



Learn more about bike racks we have.