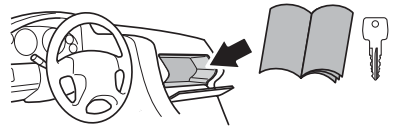
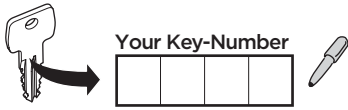






**i**



**Thule OutWay  
Hanging 2**



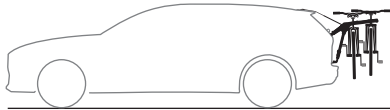
**Thule OutWay  
Hanging 3**



**Max 30 kg**

**Max 15 kg**

**Max 15 kg**

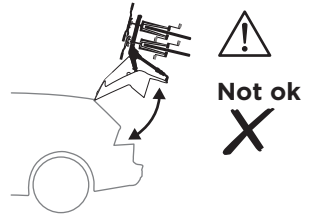
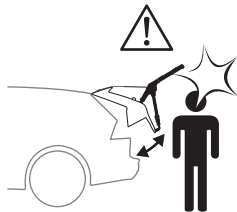
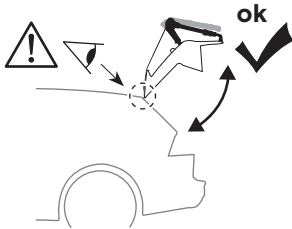
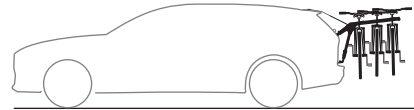


**Max 45 kg**

**Max 15 kg**

**Max 15 kg**

**Max 15 kg**



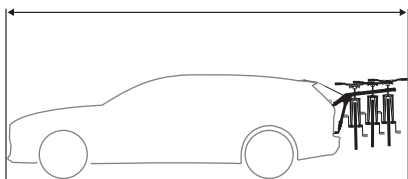
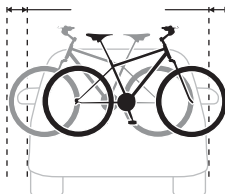
**Thule Bike Frame Adapter**

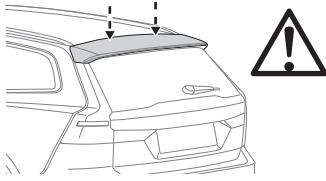
982



**Max 20 cm**

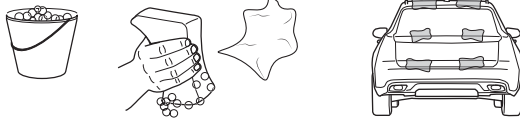
**Max 20 cm**



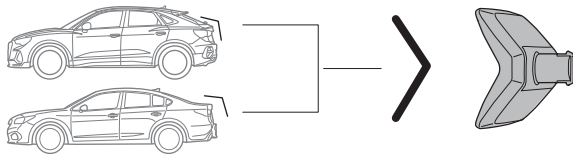
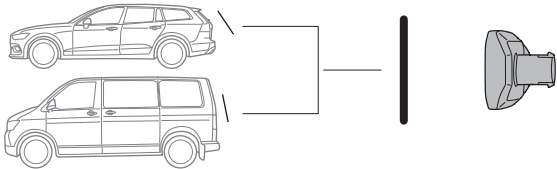


**EN** If plastic spoiler is in the area where upper hooks will be mounted, always use the spoiler kit with the reinforcement strap, according to separate instruction for **Plastic Spoiler Reinforcement Strap**.

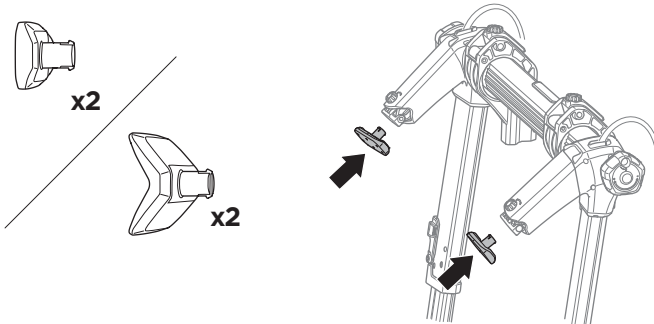
**1**



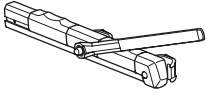
**2**



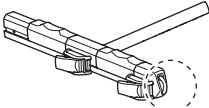
**3**



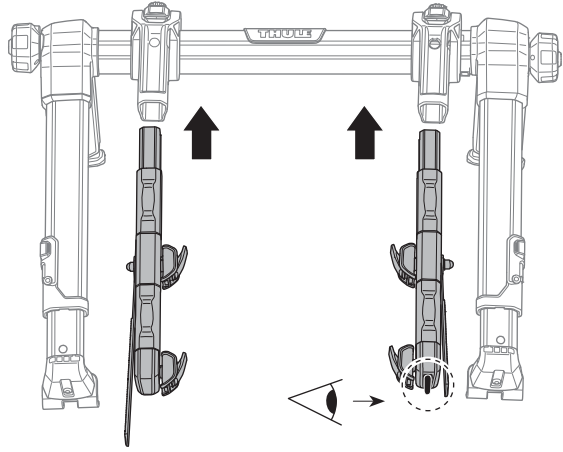
4



x1



x1



5



x2



x2



x2



x2



x1



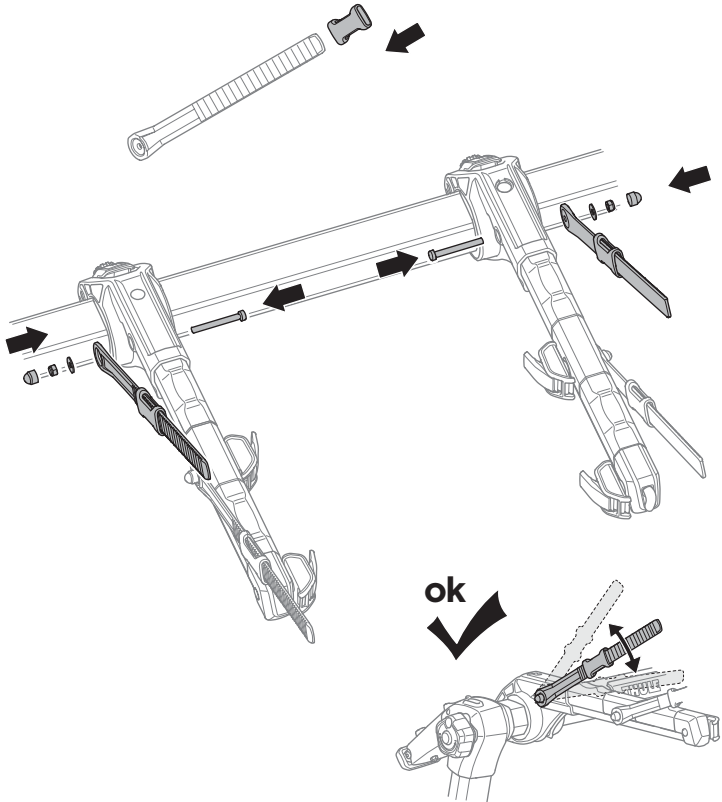
x1



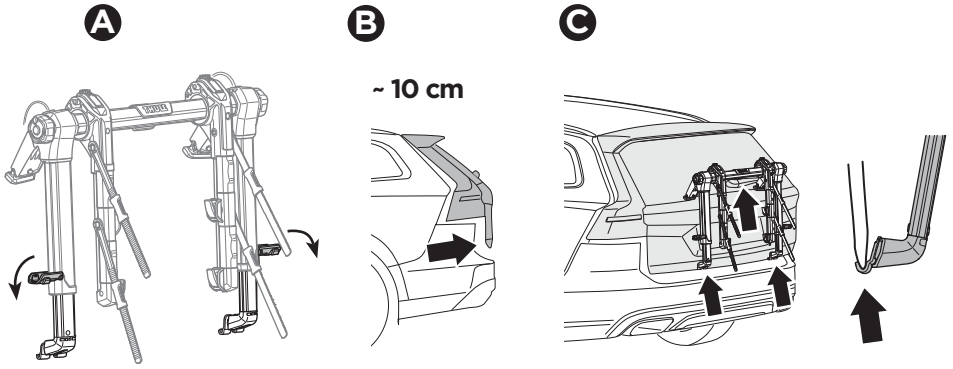
x4(6)



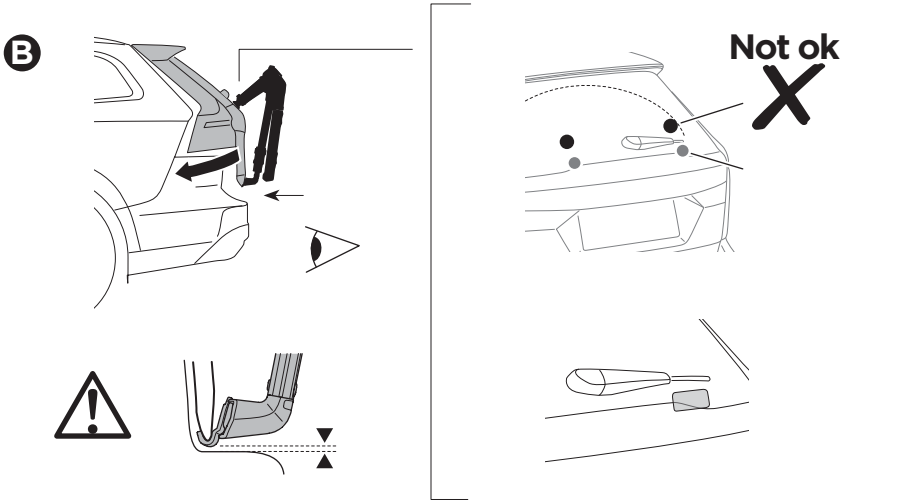
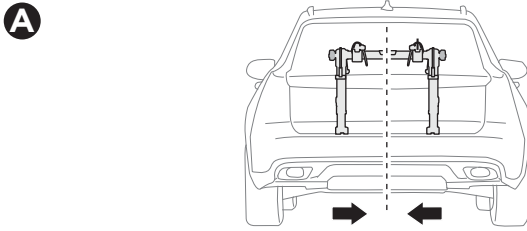
x2



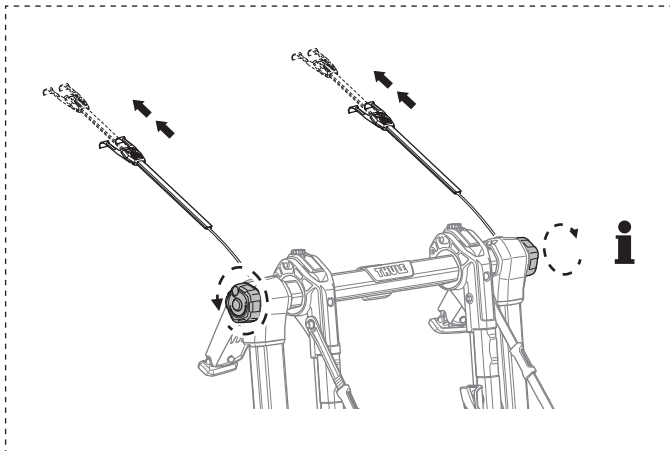
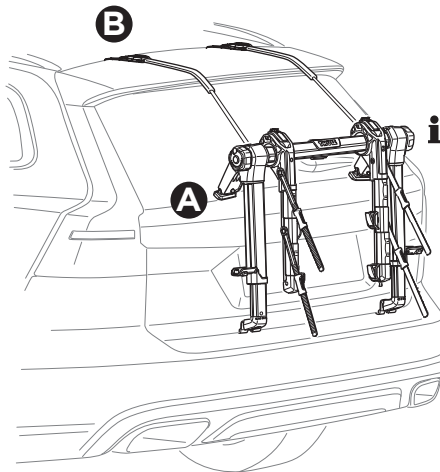
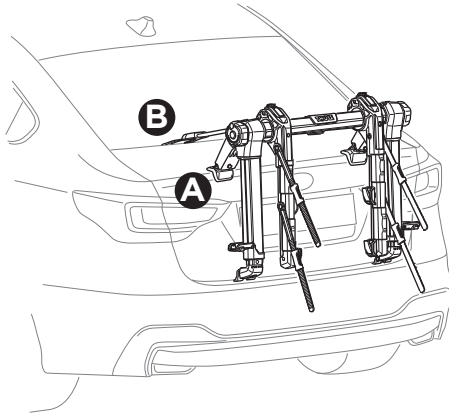
6



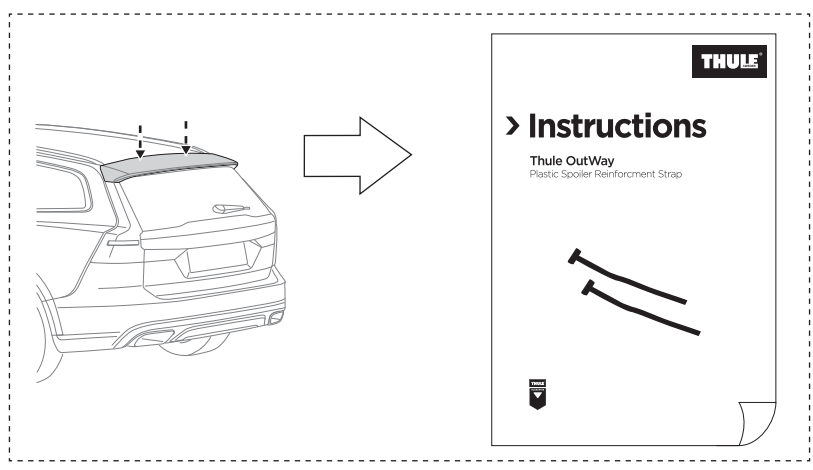
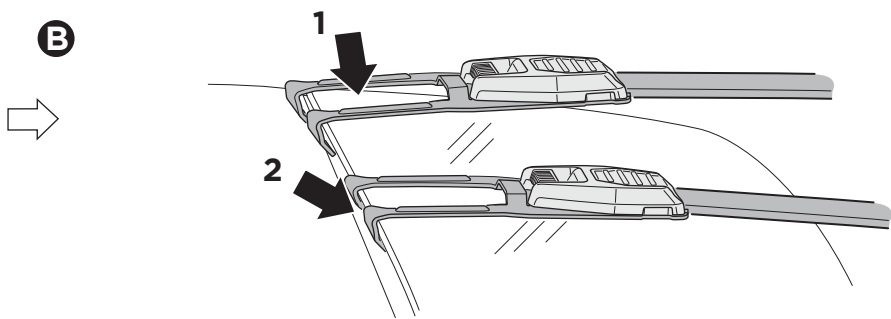
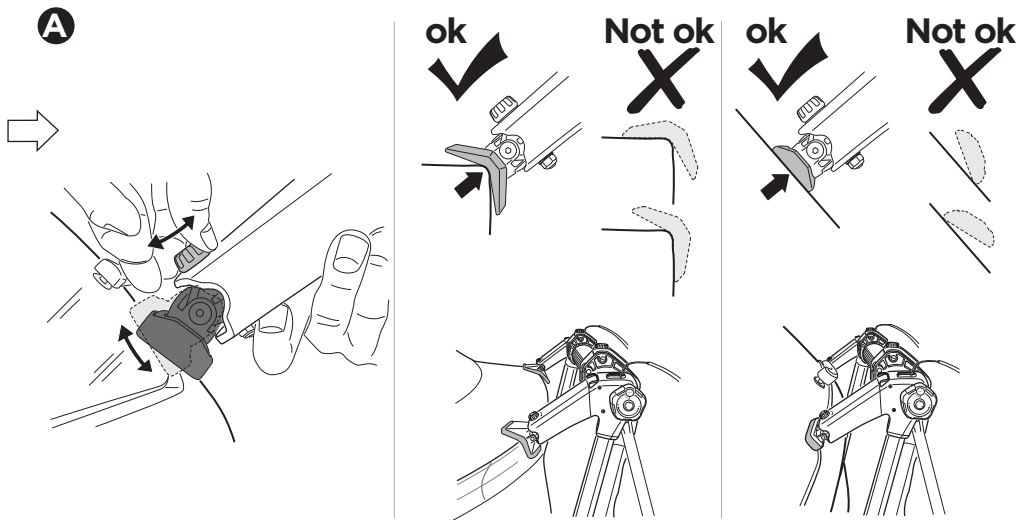
7



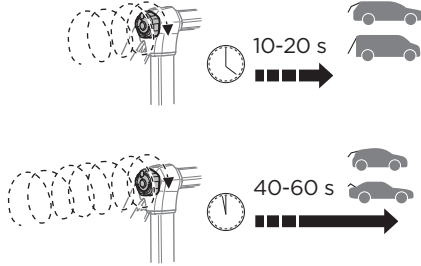
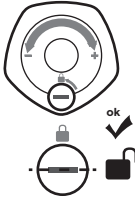
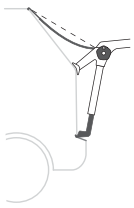
8





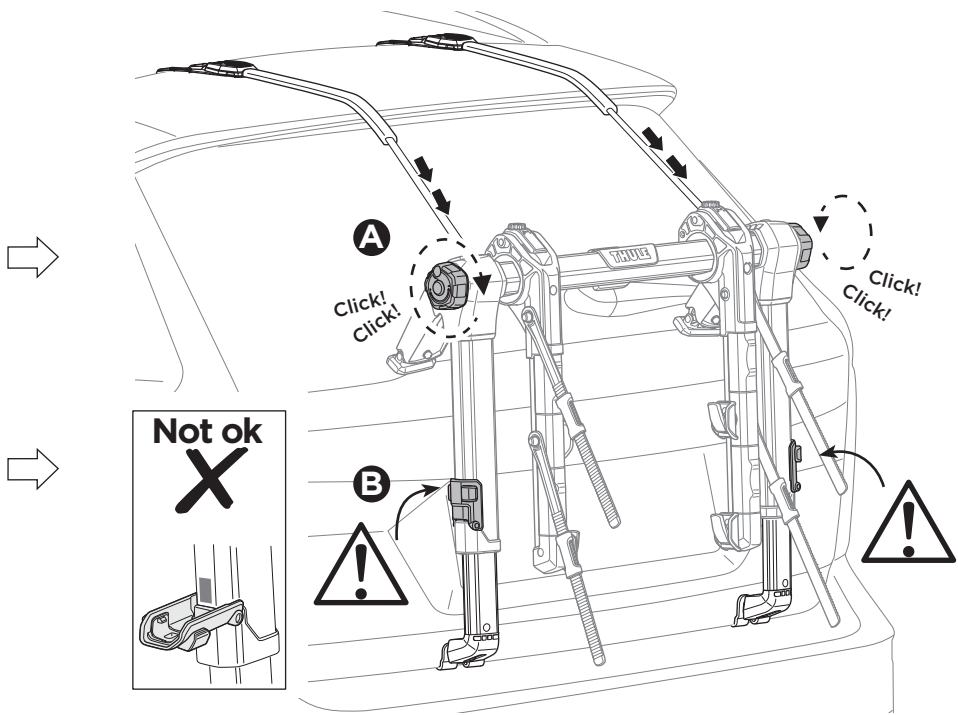


9

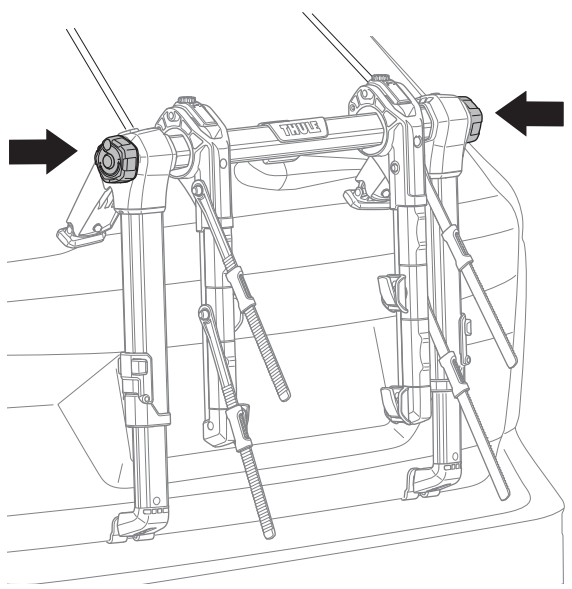


**EN** The first installation requires many rotations on the knob **A**. After hearing repeated "CLICK" close the hatch **B**.

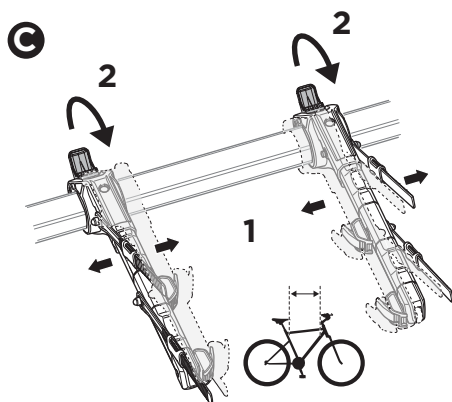
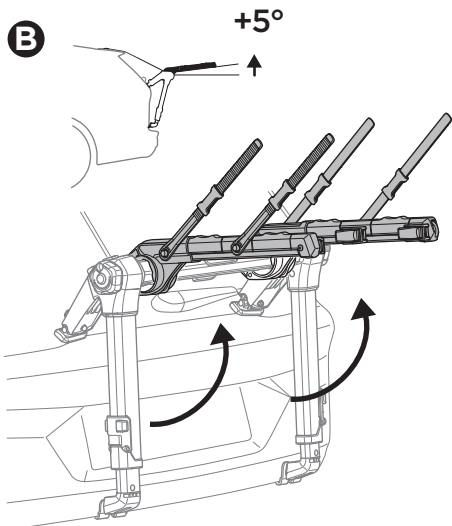
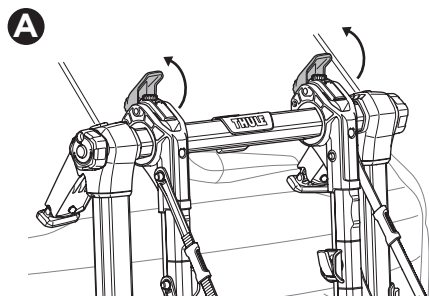




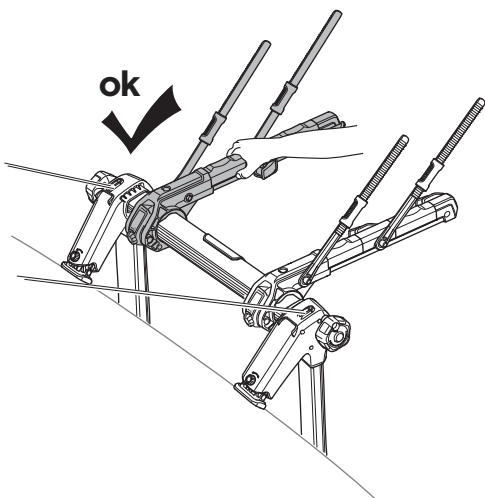
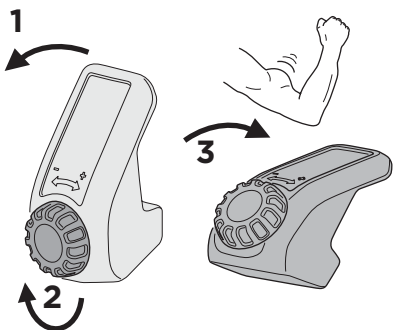
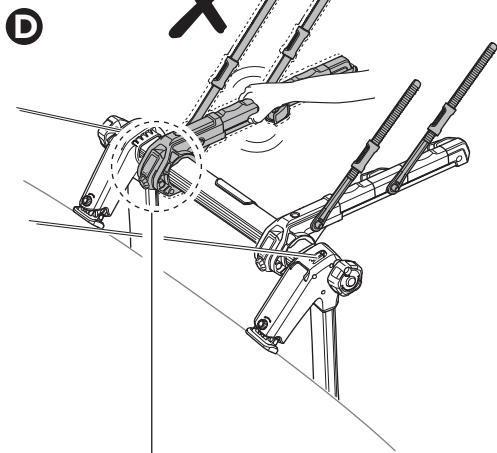
# 10

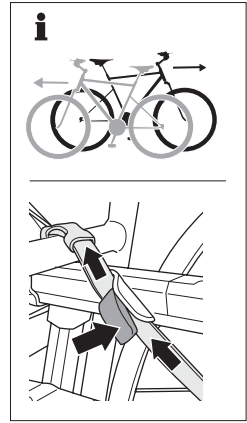
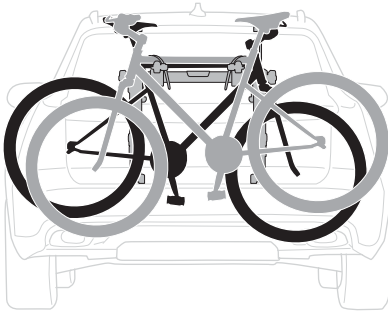


# 11

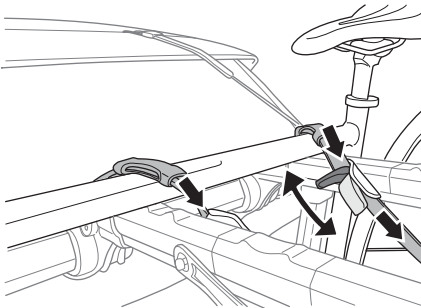


Not ok

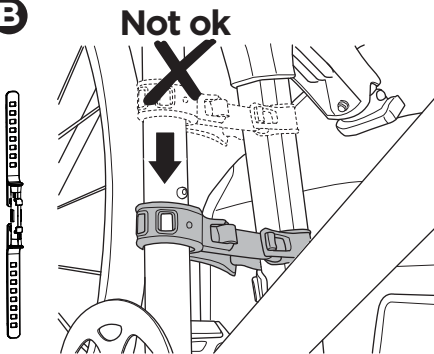




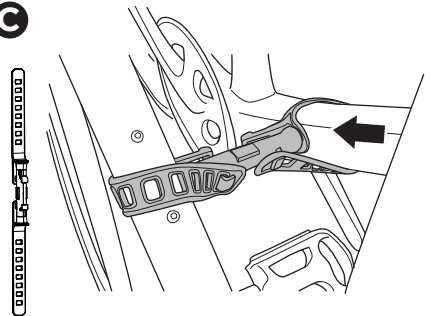
**A**



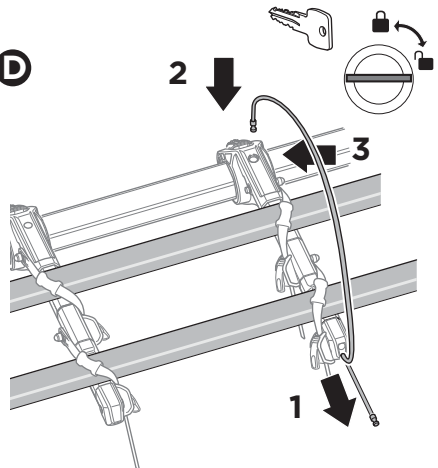
**B**



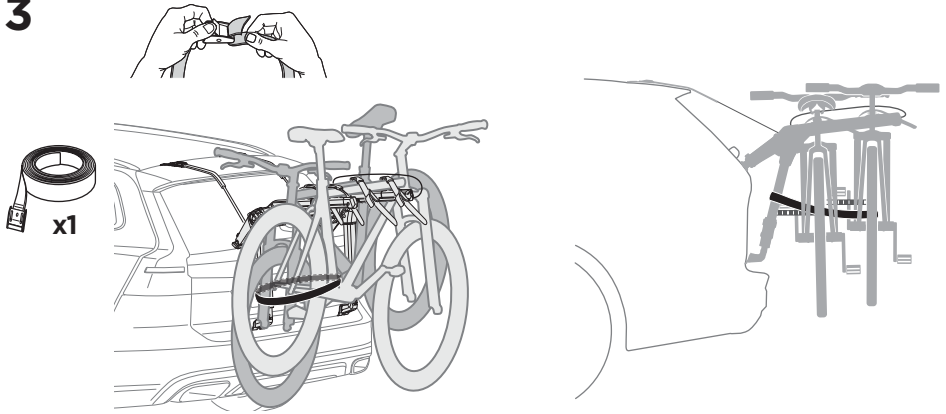
**C**



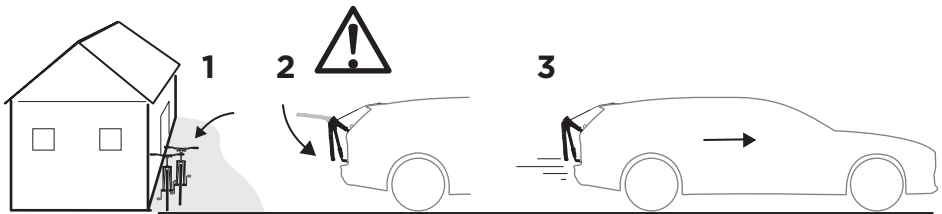
**D**



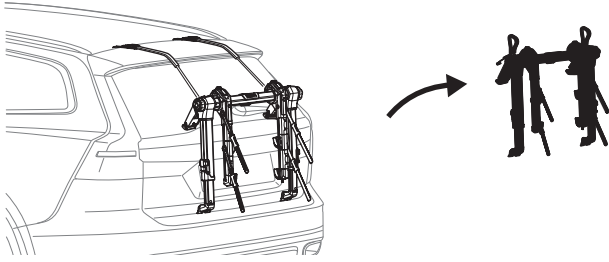
13



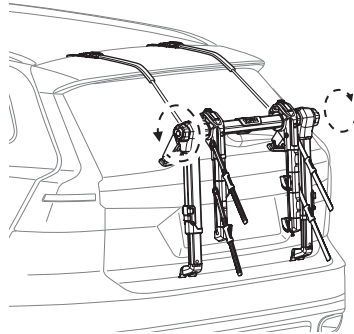
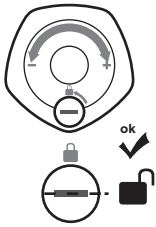
14



**i**

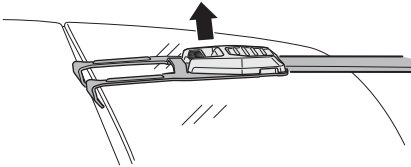


**A**

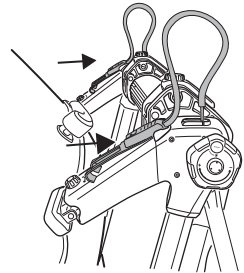


**B**

1

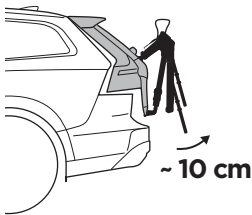


2

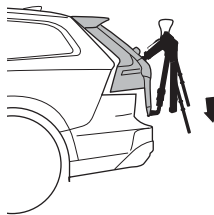


**C**

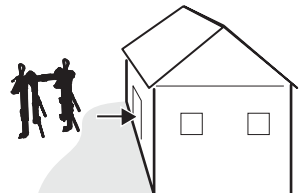
1



2

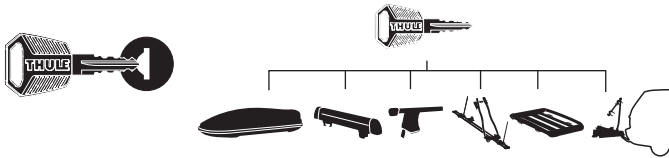


3



---

## Thule One-Key System



**450400**  (x4)

**450600**  (x6)

**450800**  (x8)

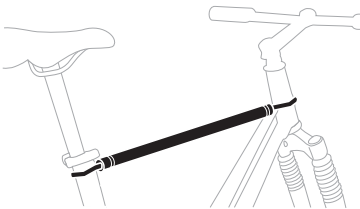
\* **451200**  (x12)

\* **451600**  (x16)

---

## Thule Bike Frame Adapter

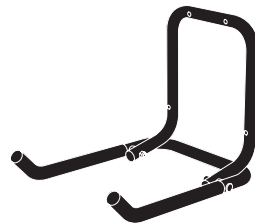
982



---

## \* Thule Wall Hanger

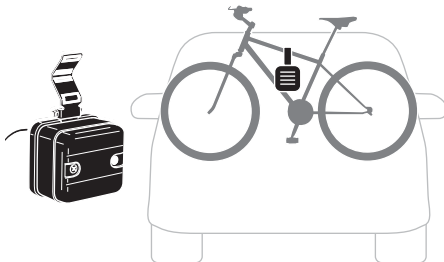
9771



---

## \* Thule 3rd Brake Light

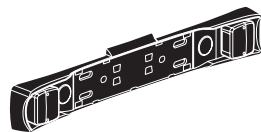
9904



---

## \* Thule Light Board

976



---

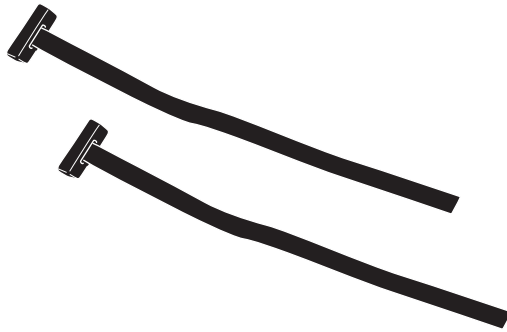
\* Only available in select markets

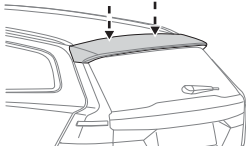


# ➤ Instructions

## Thule OutWay

Plastic Spoiler Reinforcement Strap

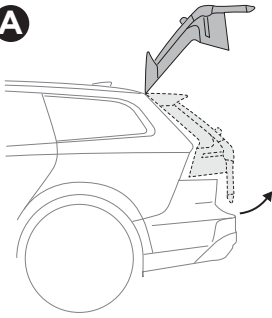




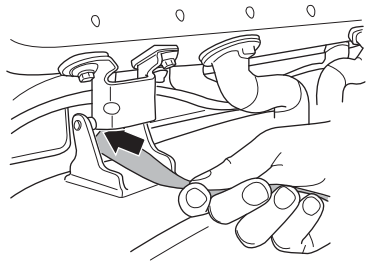
**EN** If plastic spoiler is in the area where upper hooks will be mounted, always use the spoiler kit with the reinforcement strap according to this instruction.

1

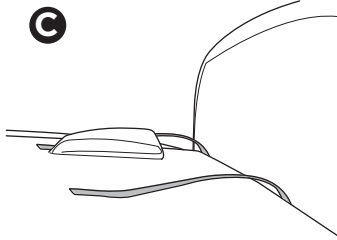
A



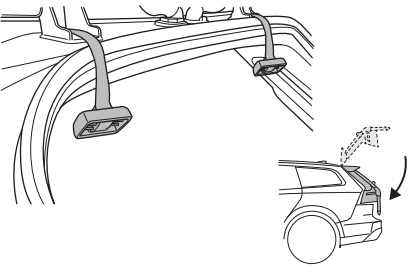
B



C

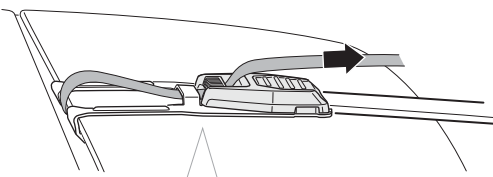


D

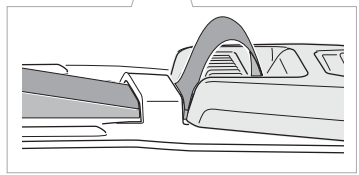
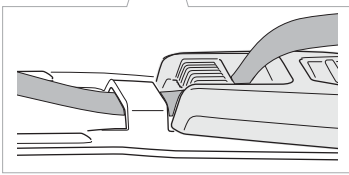
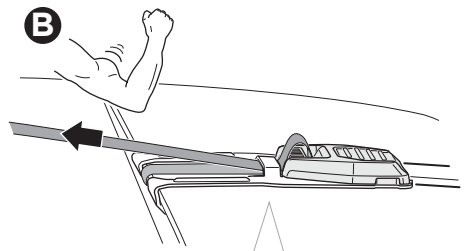


2

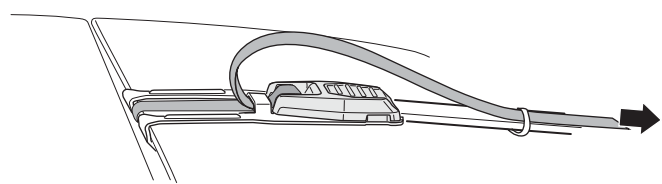
A



B

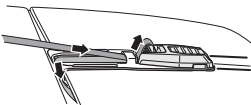


C



**EN** Important! The strap should be loosened slightly **A**, before opening **B**, and re-tightened again after closing **C**.

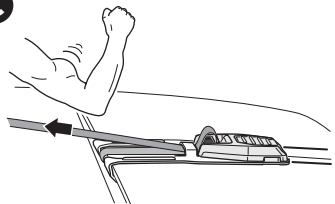
**A**



**B**



**C**



Learn more about bike racks we have.