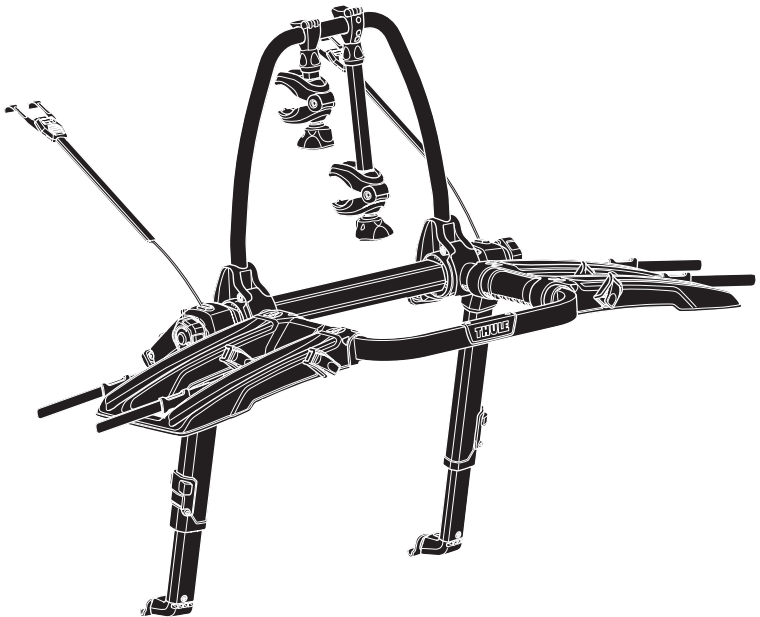


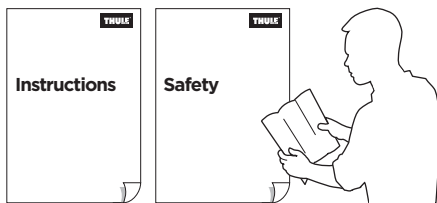
➤ Instructions

Thule OutWay Platform 2

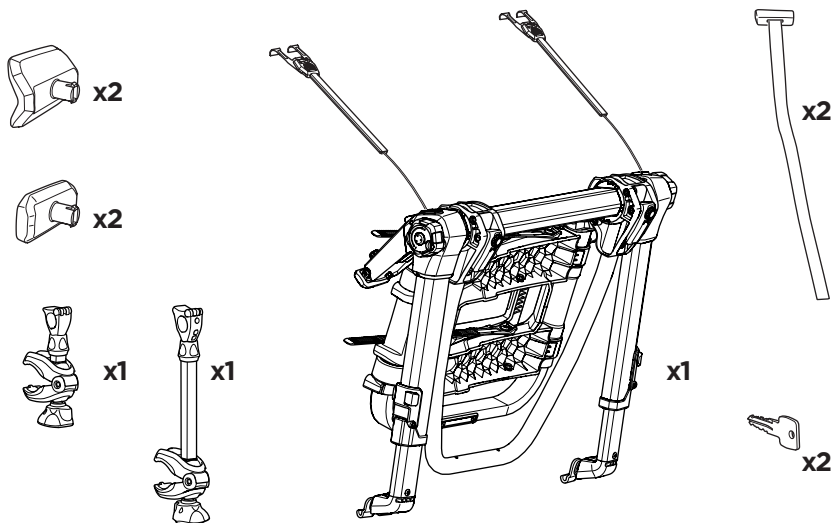


CITY CRASH

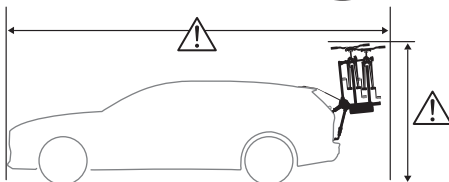
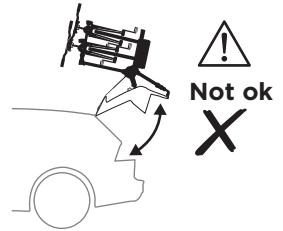
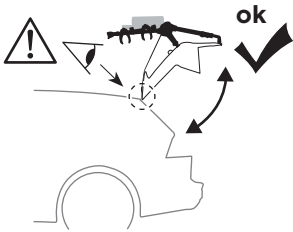
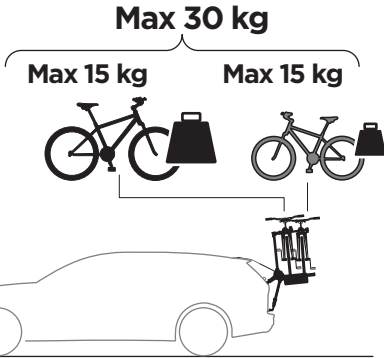
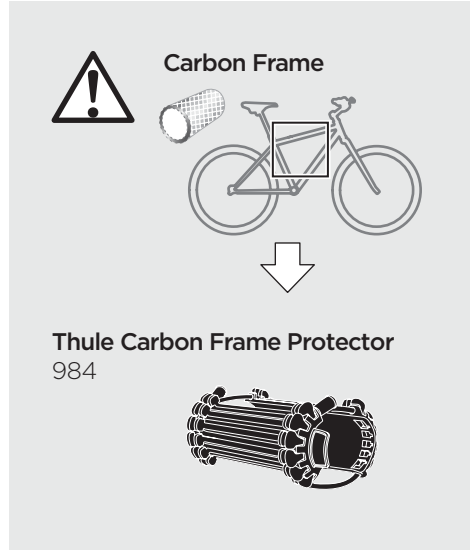
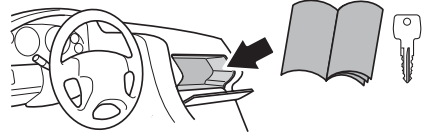
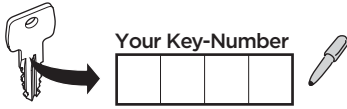
Complies with ISO norm

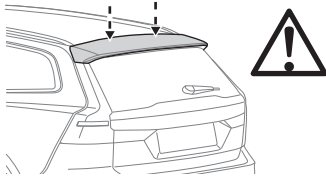


Thule OutWay Platform 2
993001, 993005



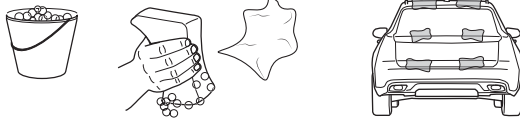
i



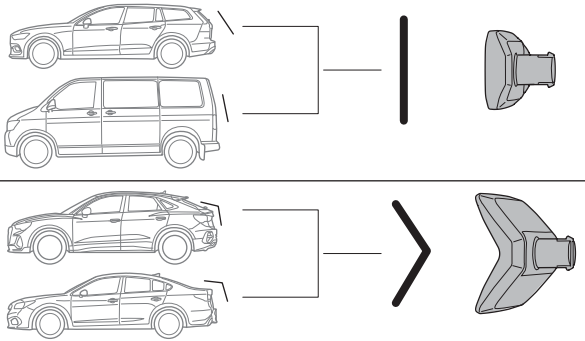


EN If plastic spoiler is in the area where upper hooks will be mounted, always use the spoiler kit with the reinforcement strap, according to separate instruction for **Plastic Spoiler Reinforcement Strap**.

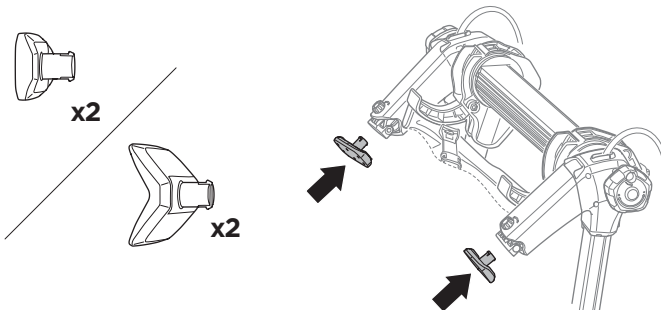
1



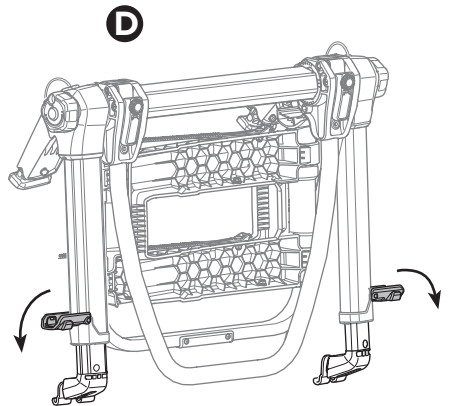
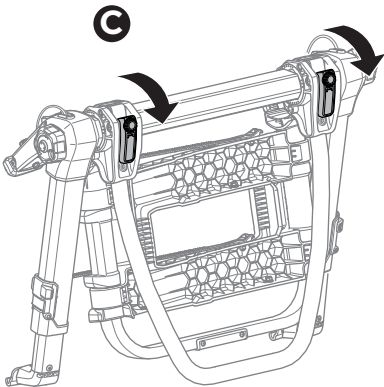
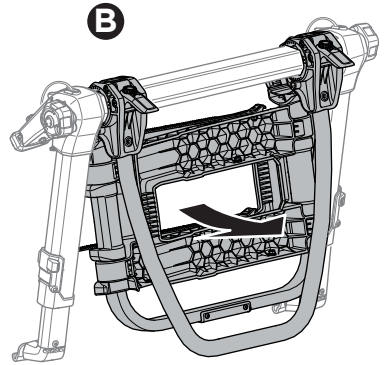
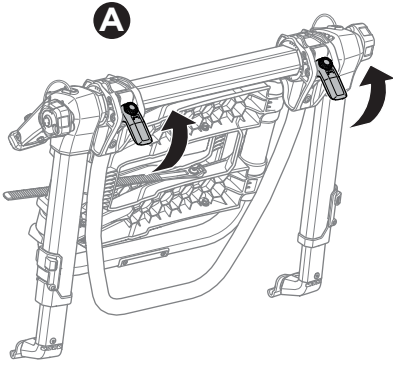
2



3



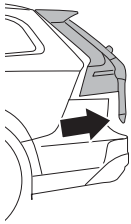
4



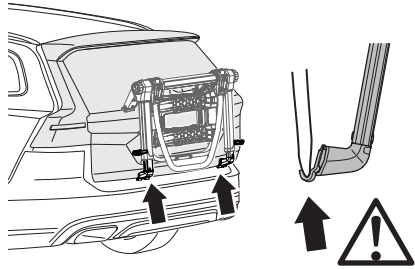
5

A

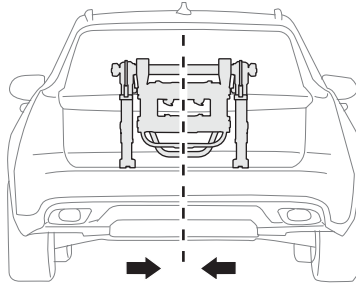
~ 10 cm



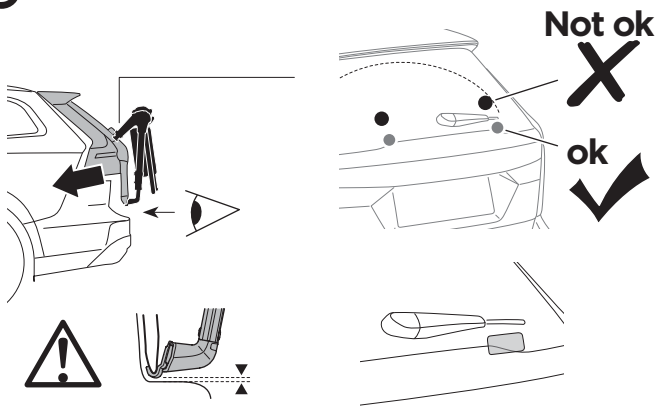
B



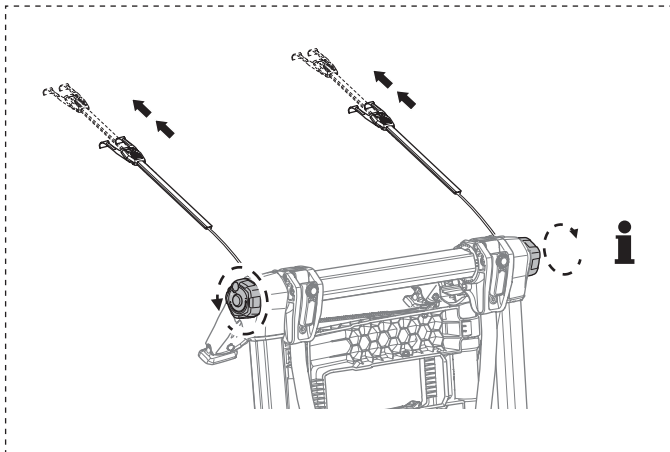
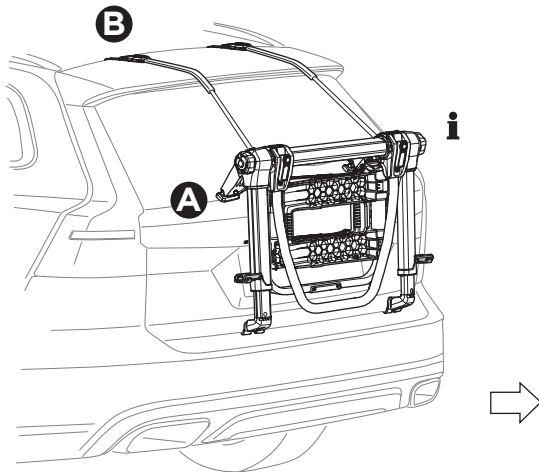
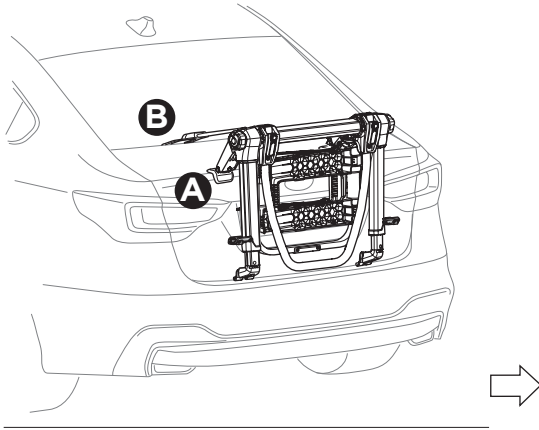
C

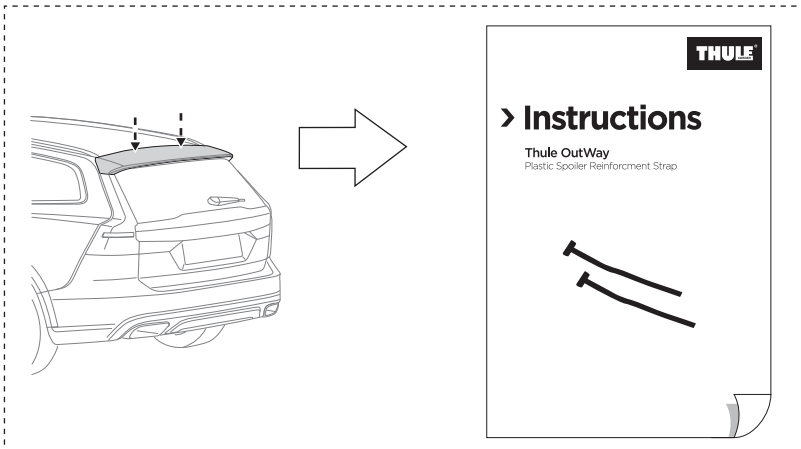
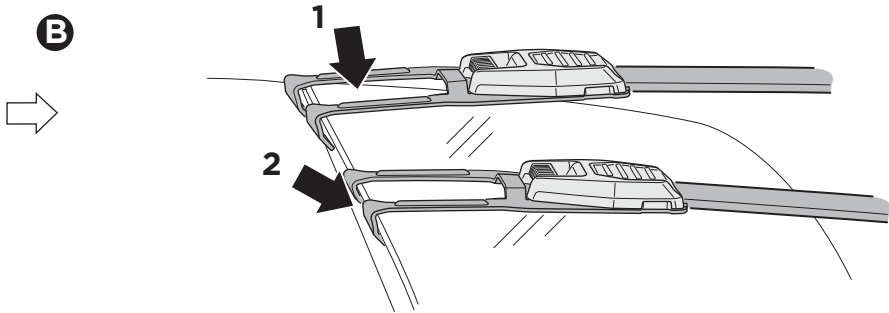
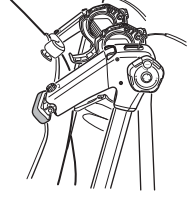
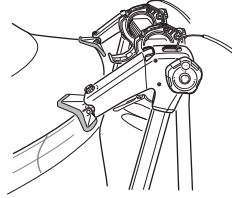
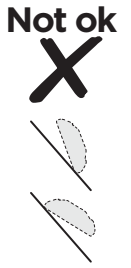
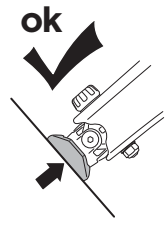
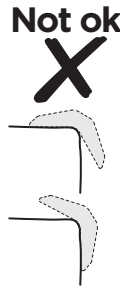
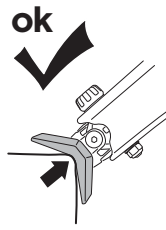
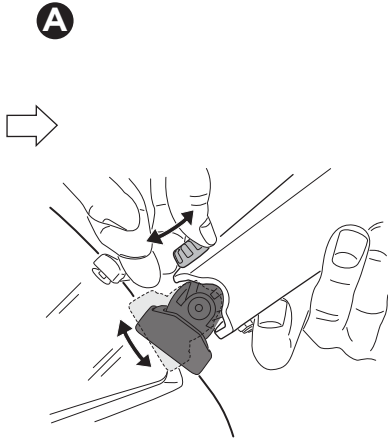


D

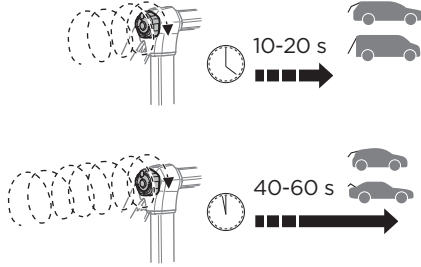
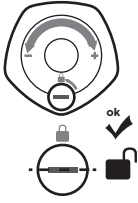
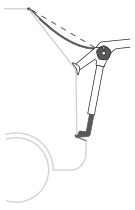


6



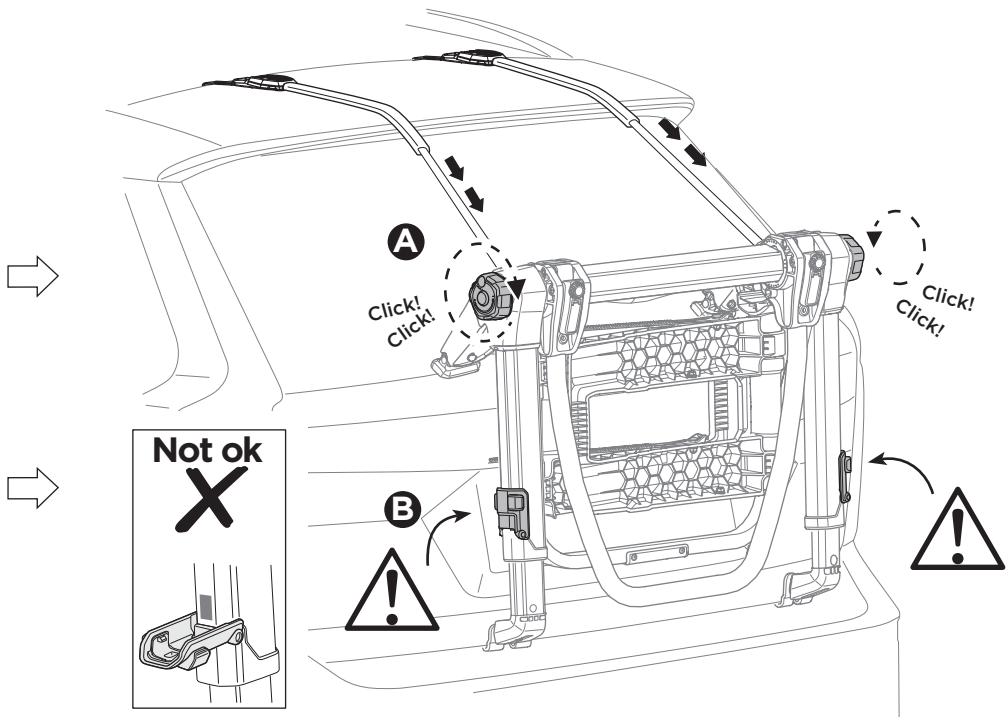


7

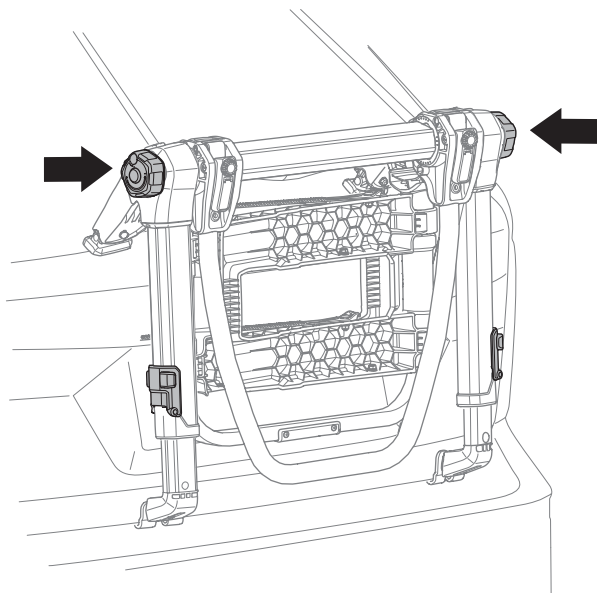
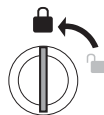


EN The first installation requires many rotations on the knob **A**. After hearing repeated "CLICK" close the hatch **B**.



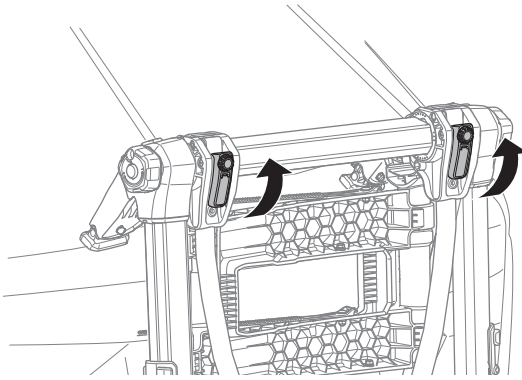


8

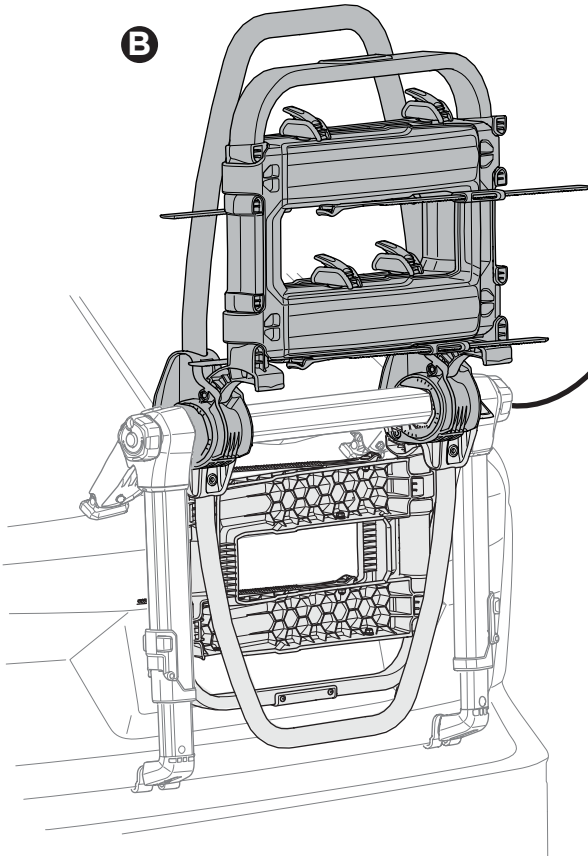


9

A



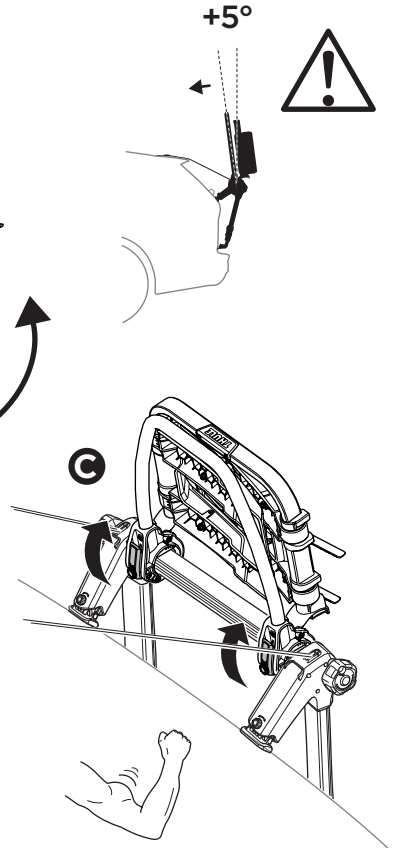
B



+5°

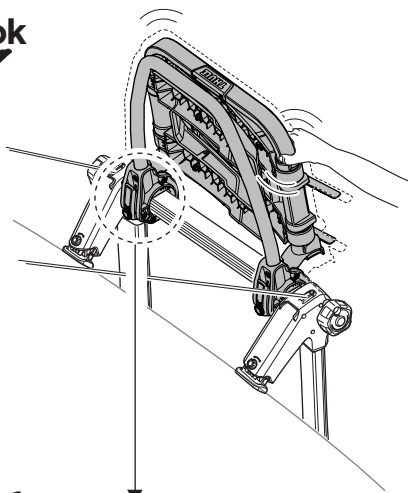


C

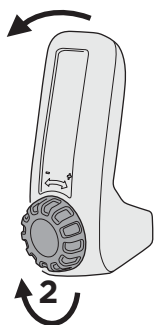


10

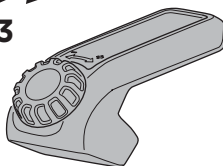
Not ok



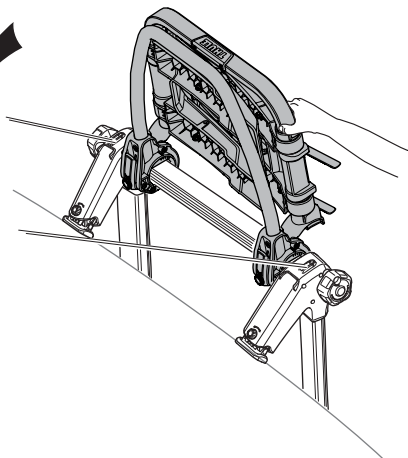
1



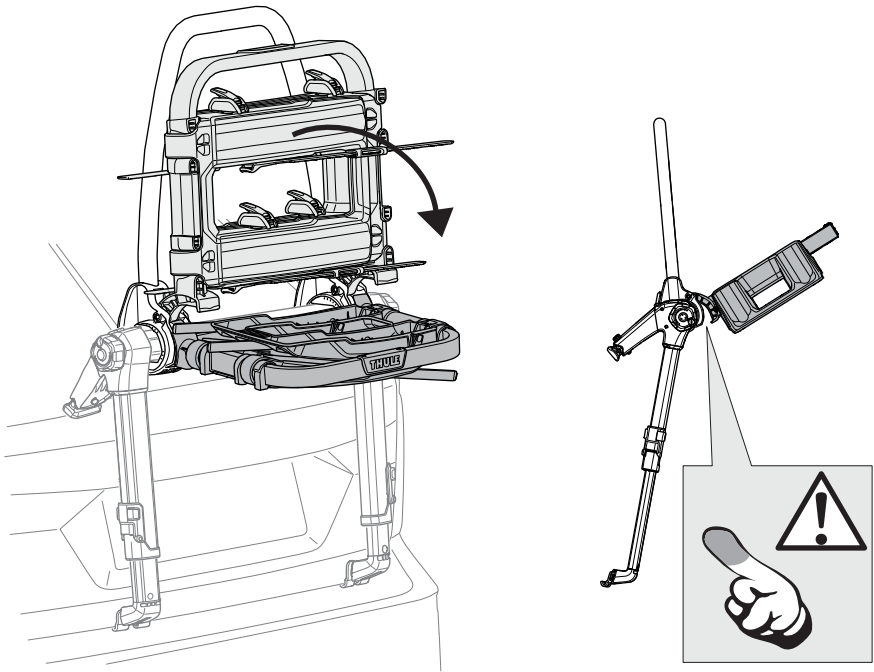
3



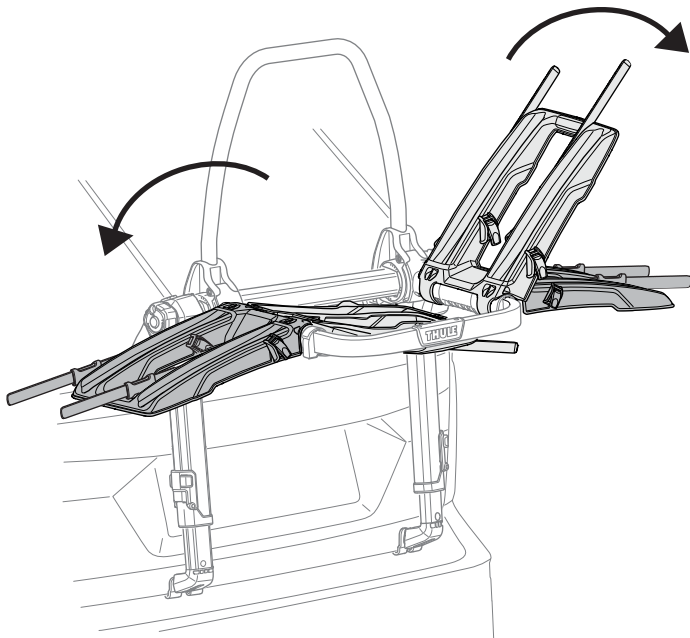
ok



11



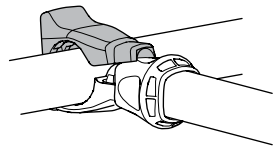
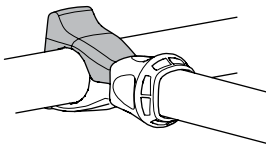
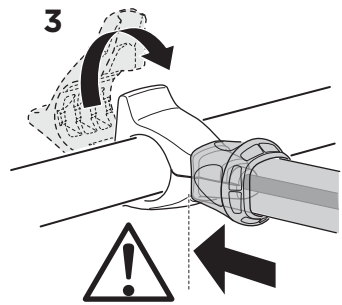
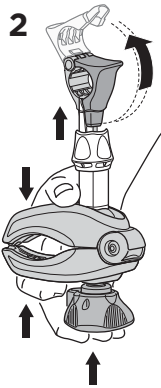
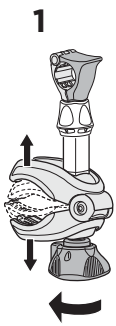
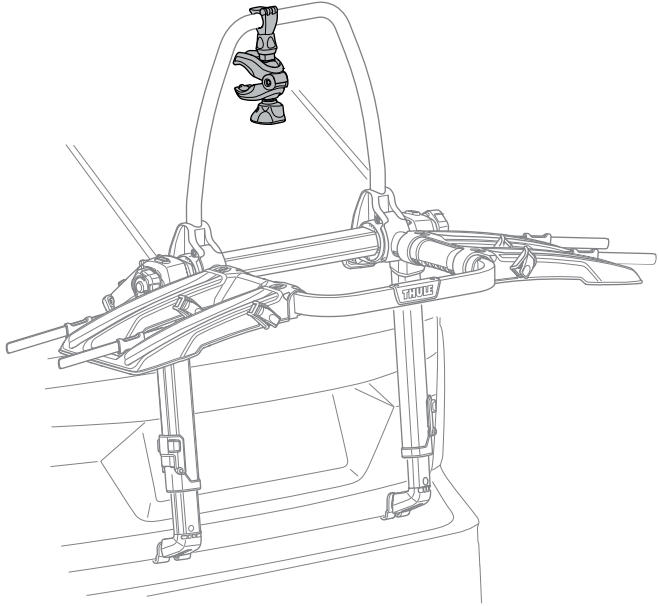
12



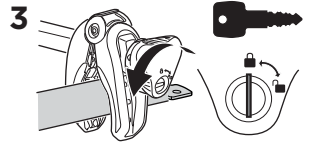
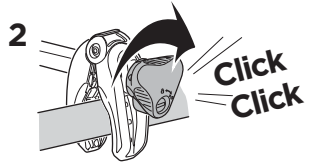
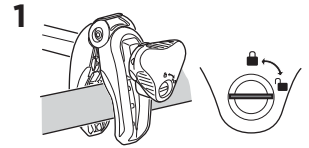
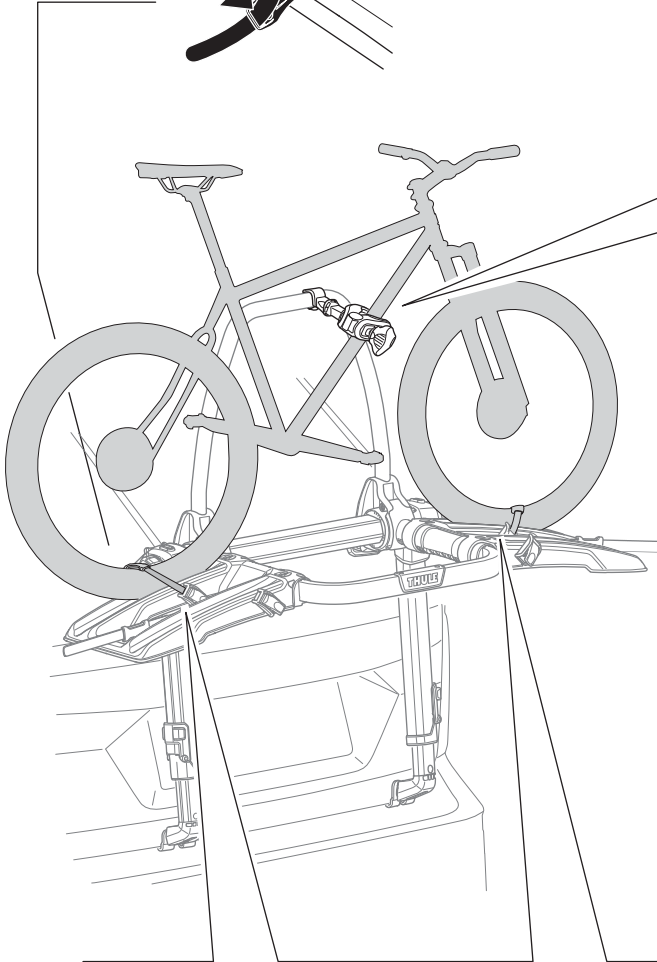
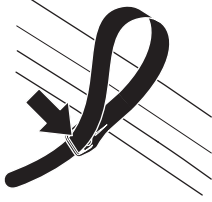
13



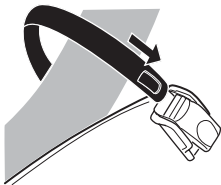
x1



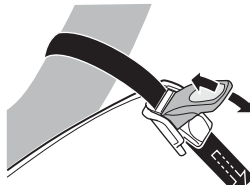
14 **i**



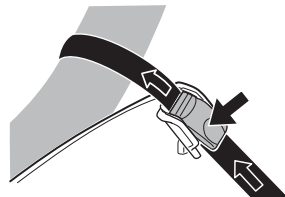
1



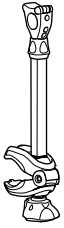
2



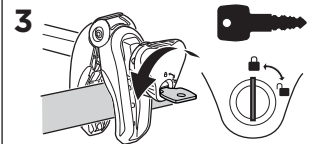
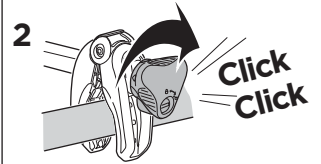
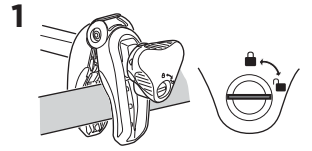
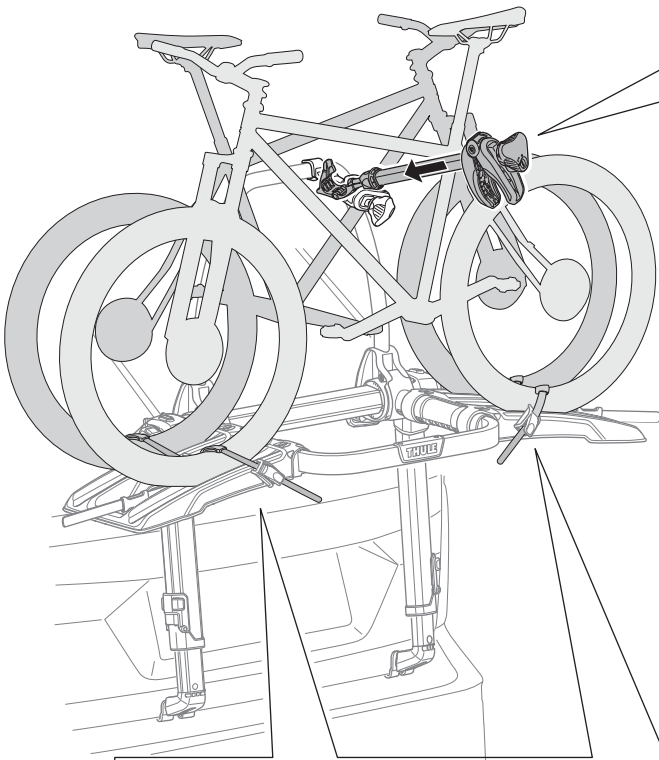
i



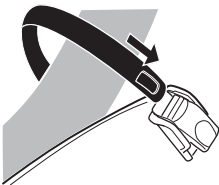
15



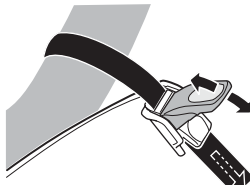
x1



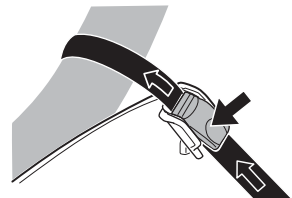
1



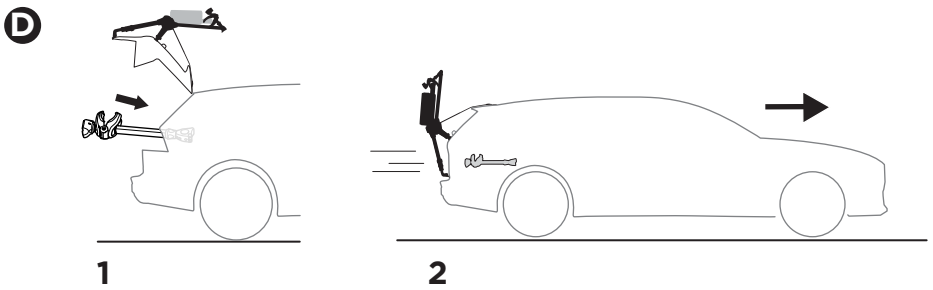
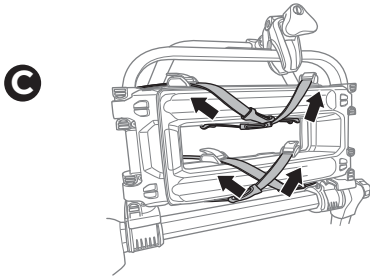
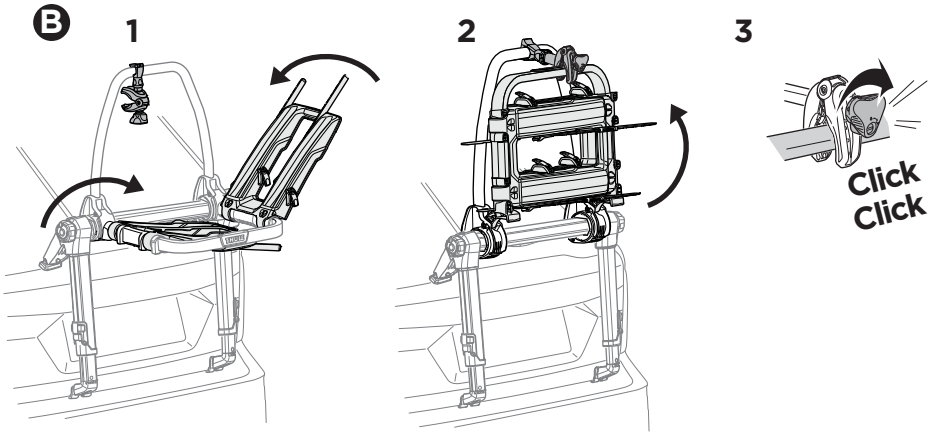
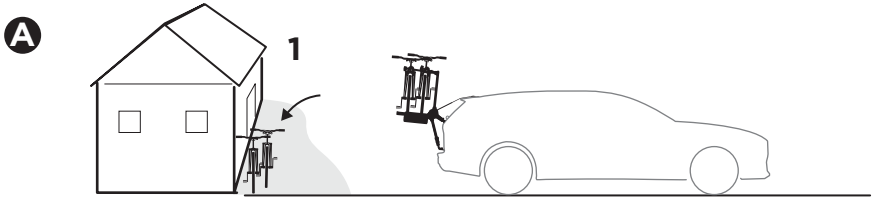
2



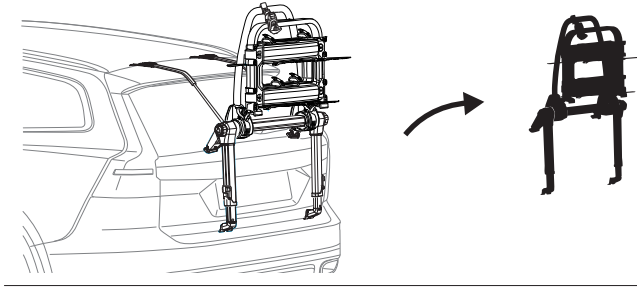
i



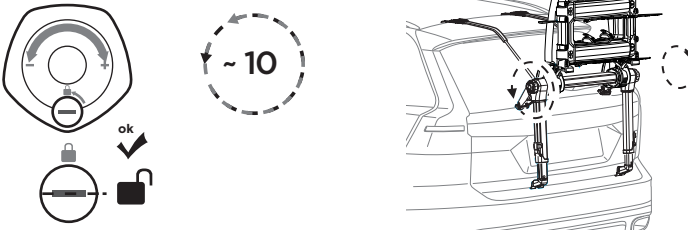
16



i

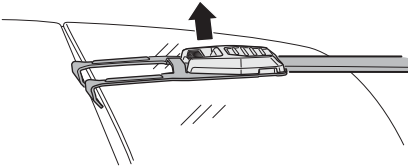


A

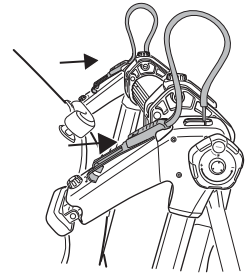


B

1

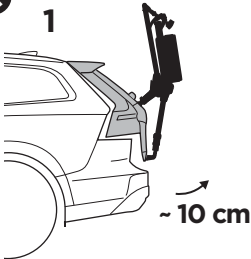


2

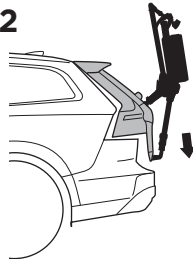


C

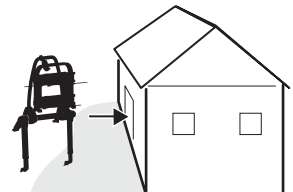
1



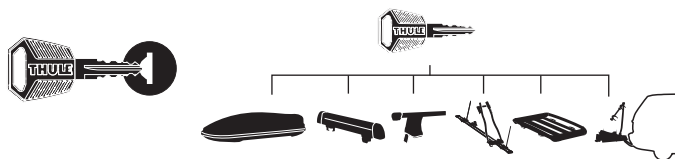
2



3



Thule One-Key System



450400  (x4)

450600  (x6)

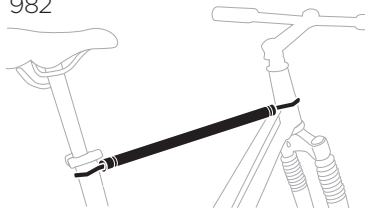
450800  (x8)

* **451200**  (x12)

* **451600**  (x16)

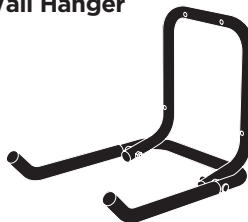
Thule Bike Frame Adapter

982



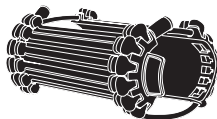
* Thule Wall Hanger

9771



Thule Carbon Frame Protector

984



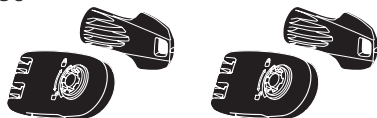
Thule Wheel Adapter

9772



* Thule Wheel Strap Locks

986



Thule XXL Fatbike Wheel Straps

985

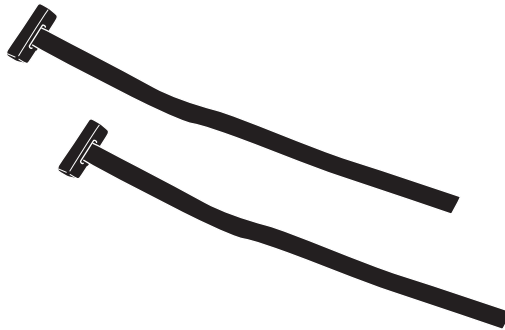


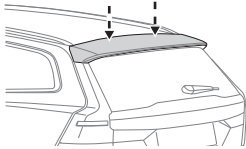
* Only available in select markets

➤ Instructions

Thule OutWay

Plastic Spoiler Reinforcement Strap

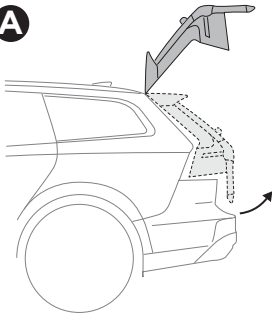




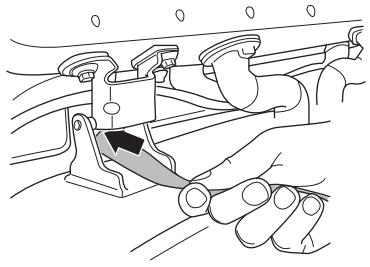
EN If plastic spoiler is in the area where upper hooks will be mounted, always use the spoiler kit with the reinforcement strap according to this instruction.

1

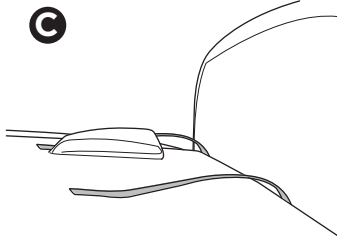
A



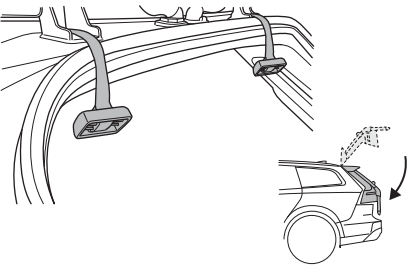
B



C

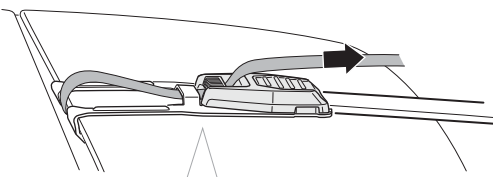


D

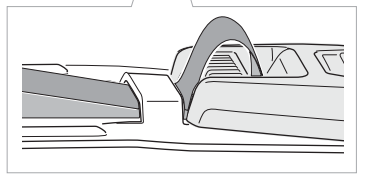
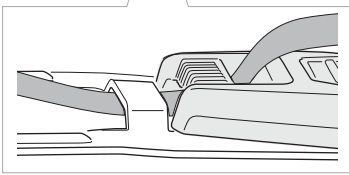
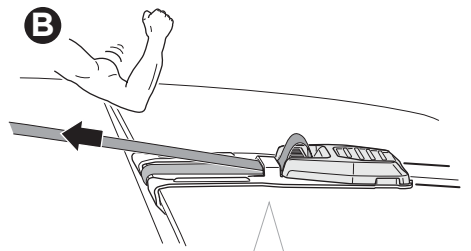


2

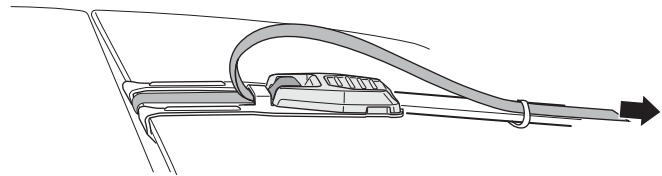
A



B

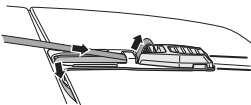


C



EN Important! The strap should be loosened slightly **A**, before opening **B**, and re-tightened again after closing **C**.

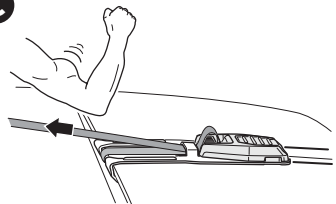
A



B



C



Learn more about bike racks we have.