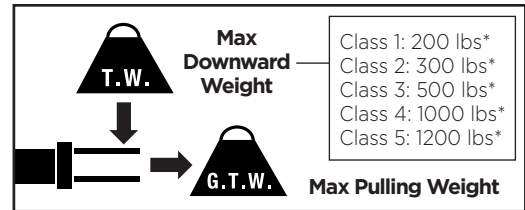


What to Know About Hitch Racks

Thule Rear Hitch Racks provide the ultimate in protection for both bicycle and vehicle. They're extremely easy to use and easy to install. All you need is a 2" or 1¼" receiver hitch on your vehicle and you're on your way.

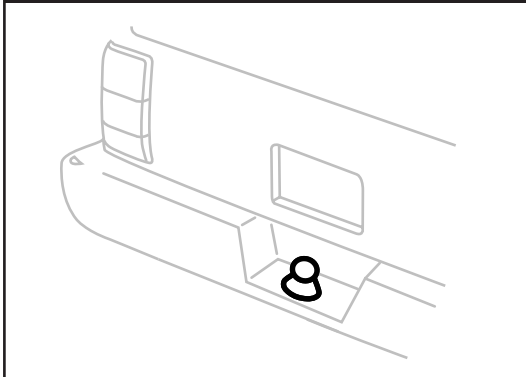
What's a receiver hitch?

A welded steel structure that is bolted to the vehicle frame. Receiver hitches are rated by class 1-4. This rating is limited or determined by the gross towing weight (G.T.W.) and tongue weight (T.W.).

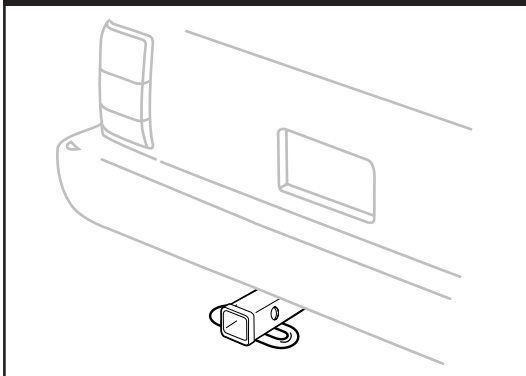


*Always double check with your receiver or vehicle manufacturer as these values can change per your specific application.

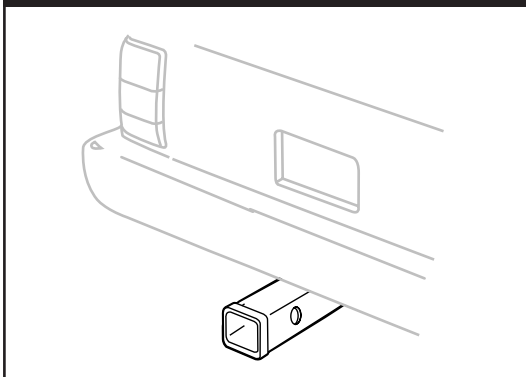
CLASS 1: Draw Bar / Step Bumper



CLASS 1 or 2: 1¼" Receiver



CLASS 2 to 4: 2" Receiver



Racks will increase overall vehicle length. Use care when backing up. Do not install any hitch mounted rack on a trailer or other towed vehicle.

	Hitch Rack	Receiver	Max. Capacity	Max. Weight (lbs)
PLATFORM STYLE	T2 Pro / T2 Pro XT			
	9034/9034XT	2"	2 bikes (class 2-4)	120
	9035/9035XT	1¼"	2 bikes (class 1-2)	100
	9034XT + 9036XT	2"	4 bikes (class 2-4)	160
	T2 Classic			
	9044	2"	2 bikes (class 2-4)	120
	9045	1¼"	2 bikes (class 1-2)	100
	9044 + 9046	2"	4 bikes (class 2-4)	160
	Doubletrack / Doubletrack Pro			
	990XT/9054	2"/1¼"	2 bikes (class 1-4)	70
HANGING-STYLE	EasyFold			
	9032	2"/1¼"	2 bikes (class 1-4)	130
	Helium Aero			
	9042	2"/1¼"	2 bikes (class 1-4)	70
	9043	2"/1¼"	3 bikes (class 1-4)	105
	Apex			
	9025	2"/1¼"	4 bikes (class 2-4)	140
	9026	2"	5 bikes (class 2-4)	150
	Apex Swing			
	9027	2"	4 bikes (class 2-4)	140
	Vertex			
	9028XT	2"/1¼"	2 bikes (class 1-4)	70
	9029XT	2"/1¼"	4 bikes (class 2-4)	140
	9030XT	2"	5 bikes (class 2-4)	150
Vertex Swing				
9031XT	2"	4 bikes (class 2-4)	140	
Parkway				
956	2"	4 bikes (class 2-4)	140	
957	1¼"	4 bikes (class 2)	105	
958	2"	2 bikes (class 2-4)	70	



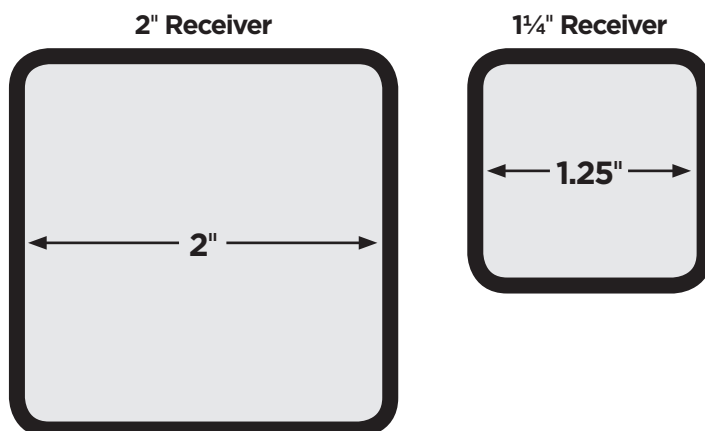
On certain size bumpers and tailgates, some hitch racks may interfere with the opening of the tailgate. Check clearance by tilting the hitch rack down and lowering the tailgate carefully the first time.

REAR MOUNT CARRIERS

Hitch Type & Compatibility

The following guide will help you select the best hitch rack for your specific vehicle dimensions and carrying needs.

1 What size is my hitch?

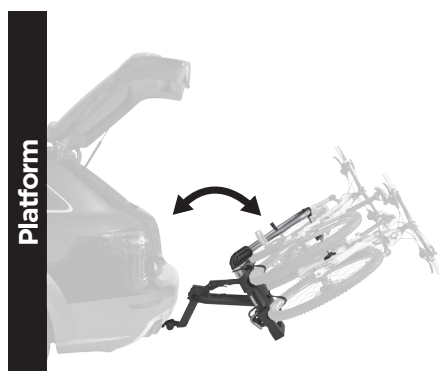


2 What class is my hitch?

- Check the sticker on your hitch to determine its class.
- If there is no sticker you can still find the perfect hitch rack that will fit your car. If your receiver is 1.25" it is either a Class I* or II, if it's 2" it is a Class III or IV. Choose a hitch rack that fits your receiver and then double-check the **"Hitch Fit Tips"** beginning on page 380 to ensure the proper fit.

*Combination of hitch rack and bicycles loaded should not exceed the tongue weight specified by the vehicle and/or hitch receiver manufacturer. Class I receivers are limited to a maximum of 2 bikes.

3 Determine what style hitch rack you want



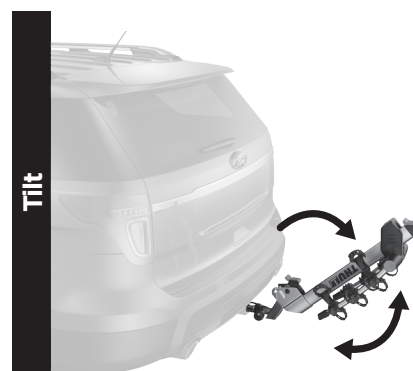
Holds bikes by the wheels and accommodates any frame style, including downhill mountain bikes.

Capacity: 2 or 4 bikes



Holds bikes by the frame and allows rear-of-vehicle access when fully loaded.

Capacity: 4 bikes



Holds bikes by the frame and tilts down to allow rear-of-vehicle access.

Capacity: 2, 3, 4 or 5 bikes

4

Choose your hitch rack

	Hitch Rack	Receiver	Hitch Class			Max. Capacity	Max. Weight (lbs)
			I 1.25" hitch with stop	II 1.25" hitch no stop	III/IV 2" hitch		
PLATFORM	T2 Pro / T2 Pro XT						
	9034/9034XT	2"			✓	2 bikes	120
	9035/9035XT	1¼"	✓	✓		2 bikes	100
	9034XT + 9036XT	2"			✓	4 bikes	160
	T2 Classic						
	9044	2"			✓	2 bikes	120
	9045	1¼"	✓	✓		2 bikes	100
	9044 + 9046	2"			✓	4 bikes	160
	Doubletrack / Doubletrack Pro						
	990XT/9054	2"/1¼"	✓	✓	✓	2 bikes	100
EasyFold							
9032	2"/1¼"	✓	✓	✓	2 bikes	130	
SWING	Apex Swing						
	9027	2"			✓	4 bikes	140
	Vertex Swing						
9031XT	2"			✓	4 bikes	140	
TILT	Helium Aero						
	9042	2"/1¼"	✓	✓	✓	2 bikes	70
	9043	2"/1¼"	*2 bike Max	✓	✓	3 bikes	105
	Apex						
	9025	2"/1¼"	*2 bike Max	✓	✓	4 bikes	140
	9026	2"			✓	5 bikes	150
	Vertex						
	9028XT	2"/1¼"	✓	✓	✓	2 bikes	70
	9029XT	2"/1¼"	*2 bike Max	✓	✓	4 bikes	140
	9030XT	2"			✓	5 bikes	150
	Parkway						
	956	2"			✓	4 bikes	140
	957	1¼"	*2 bike Max	✓		4 bikes	105
958	2"			✓	2 bikes	70	

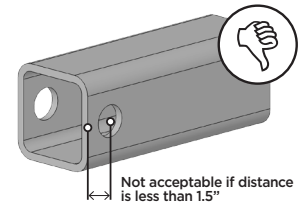
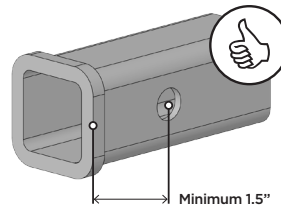
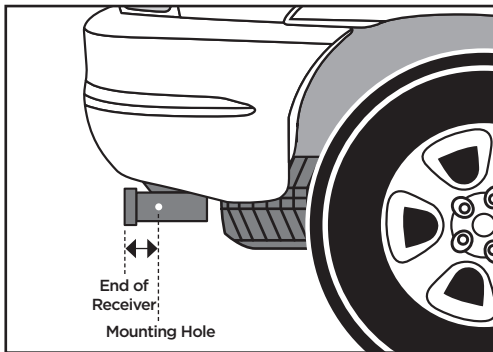
*Class I receivers have a maximum capacity of two (2) bikes.

REAR MOUNT CARRIERS

Hitch Fit Tips

1 Check your pin hole depth

There are a small number of receiver hitches on the market that have a distance of less than 1.5 inches from the center of the hitch pin hole to the face of the receiver. For both safety and performance, Thule requires this distance to be at least 1.5 inches as shown in the below images.



*Thule has specifically tested the following Subaru receiver hitches and approved them for use with Thule Vertex 2 Bike 9028/9028XT bike carriers only.

- Subaru XV Crosstrek Receiver - L1010FJ610
- Subaru Forester Receiver - L1010SG610

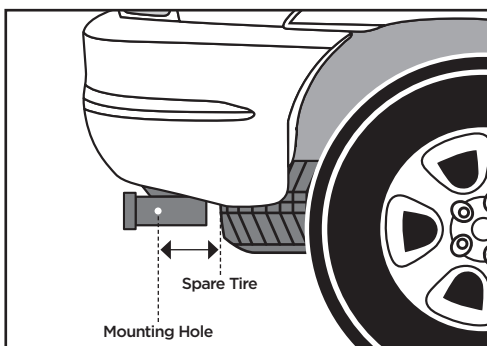
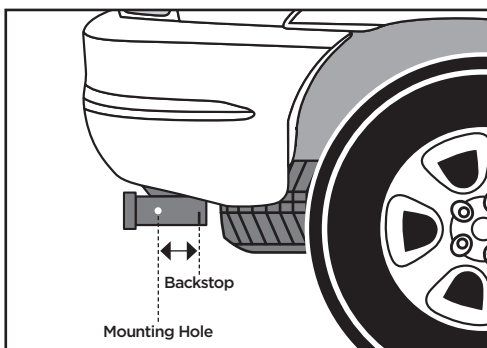
2 Check your Receiver Depth

To ensure proper fit, it's important to know the depth of your receiver. Determine this by doing the following:

- With a ruler inserted in the receiver, measure from the center of the hitch mounting hole to the point where you make contact with an obstacle. **This is your Receiver Depth.**
- If you do not contact a back-stop or your hitch receiver does not have a backstop, another potential point of contact could be an undercarriage-mounted spare tire or the undercarriage itself.
- Using the table in the next page, compare your measurement to see which hitch racks will work with your vehicle.

Your Receiver Depth must be equal to or greater than the product measurement listed in the table for a proper fit.

Receiver Depth



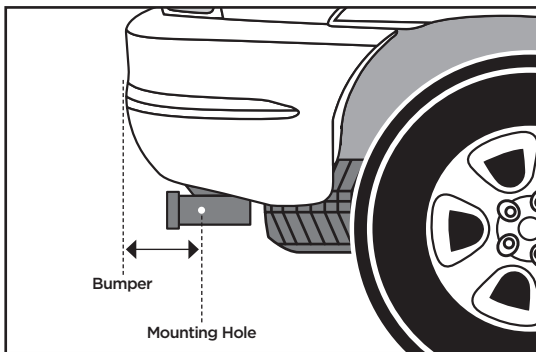
	Hitch Rack	Receiver Depth
PLATFORM	T2 Pro / T2 Pro XT	
	9034/9034XT	2.5"
	9035/9035XT	1.38"
	9034XT + 9036XT	2.5"
	T2 Classic	
	9044	2.63"
	9045	1.38"
	9044 + 9046	2.63"
	Doubletrack / Doubletrack Pro	
	990XT/9054	1.5"
EASYFOLD		
	9032	1.38"
SWING	Apex Swing	
	9027	1.38"
	Vertex Swing	
9031XT	2.5"	
TILT	Helium Aero	
	9042/9043	1.38"
	Apex	
	9025/9026	1.38"
	Vertex	
	9028XT/9029XT/9030XT	1.38"
	Parkway	
	956	2.5"
957	1.38"	
958	2.5"	

3 Check your Bumper Clearance

Make sure your bumper will not interfere with the Thule hitch rack. Measure the distance from the center of the mounting hole on your hitch to the end of your bumper. **This is your Bumper Clearance.**

Your Bumper Clearance must be equal to or less than the product measurement listed in the table for a proper fit.

Bumper Clearance

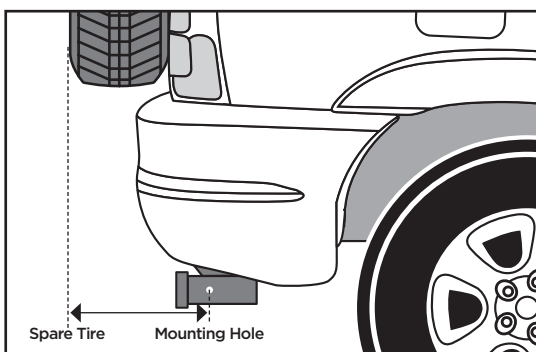


4 Check your Spare Tire Clearance

If you have a spare tire on the back of your vehicle it may interfere with the installation of your Thule hitch rack. Measure the distance from the center of the mounting hole on your hitch receiver to the end of your spare tire. **This is your Spare Tire Clearance.**

Your Spare Tire Clearance must be equal to or less than the product measurement listed in the table for a proper fit.

Spare Tire Clearance



	Hitch Rack	Bumper Clearance
PLATFORM	T2 Pro / T2 Pro XT	
	9034/9034XT	6.26"
	9035/9035XT	6.26"
	9034XT + 9036XT	6.26"
	T2 Classic	
	9034/9034XT	4.5"
	9035/9035XT	3.5"
	9034XT + 9036XT	4.5"
	Doubletrack / Doubletrack Pro	
	990XT/9054	6"
PLATFORM	EasyFold	
	9032	9.5"
SWING	Apex Swing	
	9027	7.27"
	Vertex Swing	
9031XT	9"	
TILT	Helium Aero	
	9042/9043	10.815"
	Apex	
	9025/9026	7"
	Vertex	
	9028XT/9029XT/9030XT	6.25"
	Parkway	
	956	5.25"
	957	10"
958	5.25"	

	Hitch Rack	Stowed Spare Tire Clearance	in use Spare Tire Clearance
PLATFORM	T2 Pro / T2 Pro XT		
	9034/9034XT	6.25"	20.5"
	9035/9035XT	6.25"	20.5"
	9034XT + 9036XT	6.25"	20.5"
	T2 Classic		
	9044	3.5"	20"
	9045	3.5"	20"
	9044 + 9046	2.5"	20"
	Doubletrack / Doubletrack Pro		
	990XT/9054	6"	19.25"
PLATFORM	EasyFold		
	9032	12"	12"
SWING	Apex Swing		
	9027	8.81"	8.81"
	Vertex Swing		
9031XT	9"	9"	
TILT	Helium Aero		
	9042/9043	13.25"	13.25"
	Apex		
	9025/9026	9.29"	9.29"
	Vertex		
	9028XT/9029XT/9030XT	8.54"	8.54"
	Parkway		
	956	9.5"	9.5"
	957	13.5"	13.5"
958	9.5"	9.5"	

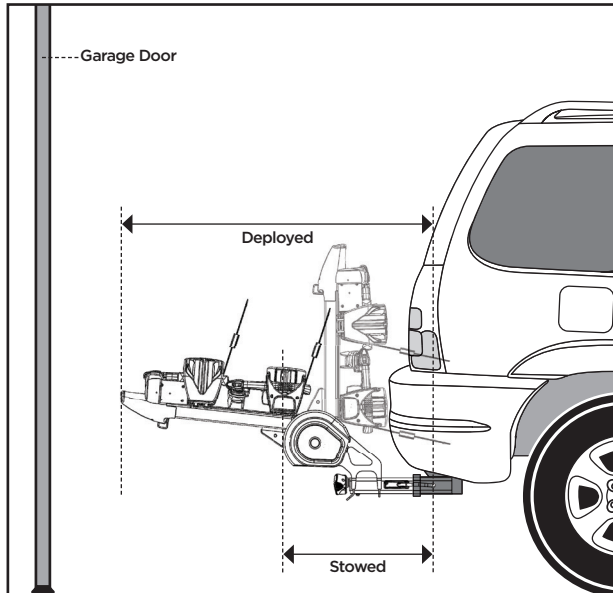
REAR MOUNT CARRIERS

Hitch Fit Tips

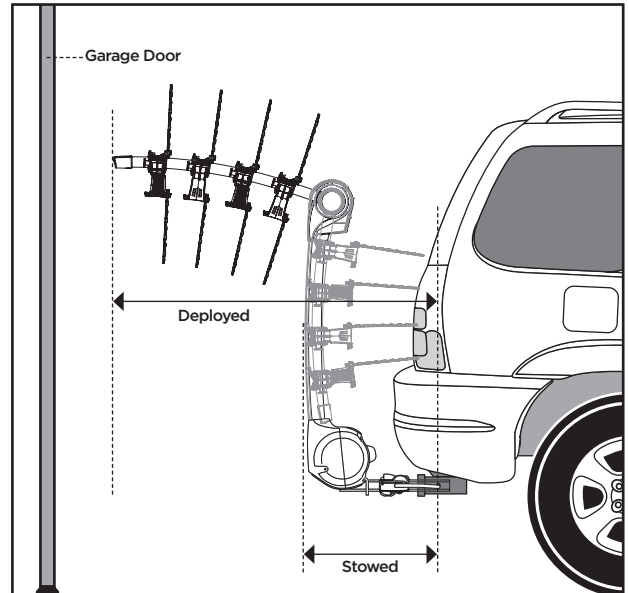
5 Check Garage Clearance

If you will be parking your vehicle in a garage with the rack mounted, you can use these measurements to help you determine if there will be any interference issues with fitting your vehicle into your garage space with the rack in the stowed position or deployed position.

Garage Clearance - Platform Models



Garage Clearance - Swing & Tilt Models



PLATFORM	Hitch Rack	Stowed Clearance	Deployed Clearance	
	T2 Pro / T2 Pro XT			
	9034/9034XT	20.5"	41.54"	
	9035/9035XT	20.5"	41.54"	
	9034XT + 9036XT	20.5"	60.1"	
	T2 Classic			
	9044	16.25"	35.3"	
	9045	16.25"	34.3"	
	9044 + 9046	16.25"	55"	
	Doubletrack / Doubletrack Pro			
990XT/9054	14.5"	33"		
EasyFold				
9032	32"	32"		

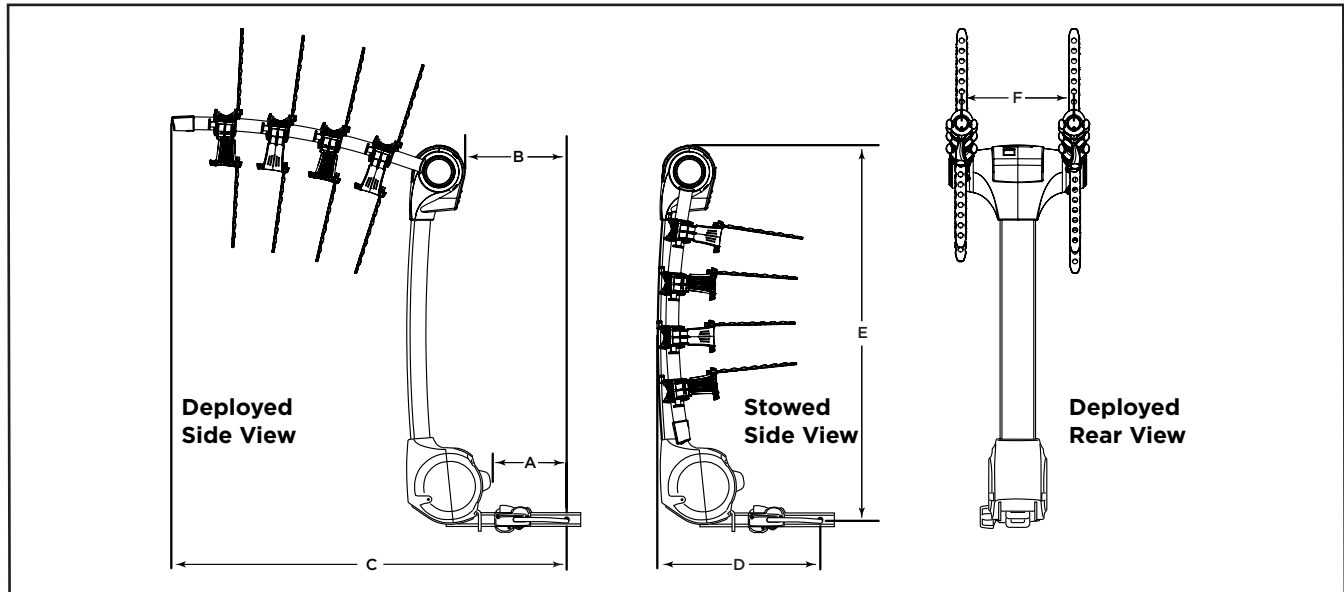
SWING	Hitch Rack	Stowed Clearance	Deployed Clearance	
	Apex Swing			
	9027	14.54"	37.66"	
	Vertex Swing			
	9031XT	16.26"	39.38"	
	Helium Aero			
	9042	21.09"	32.58"	
	9043	21.09"	37.87"	
	Apex			
	9025	14.71"	38.14"	
9026	14.71"	42.14"		
Vertex				
9028XT	13.96"	29.25"		
9029XT	13.96"	37.39"		
9030XT	13.96"	41.39"		
Parkway				
956	N/A	34.5"		
957	N/A	38.5"		
958	N/A	28.5"		

REAR MOUNT CARRIERS

Hitch Dimensions

Though we design our hitch-mounted bike carriers to be as universal as possible, all vehicles are designed differently. These diagrams have been designed to help you better understand the "room" our hitch-mounted bike racks need to function properly.

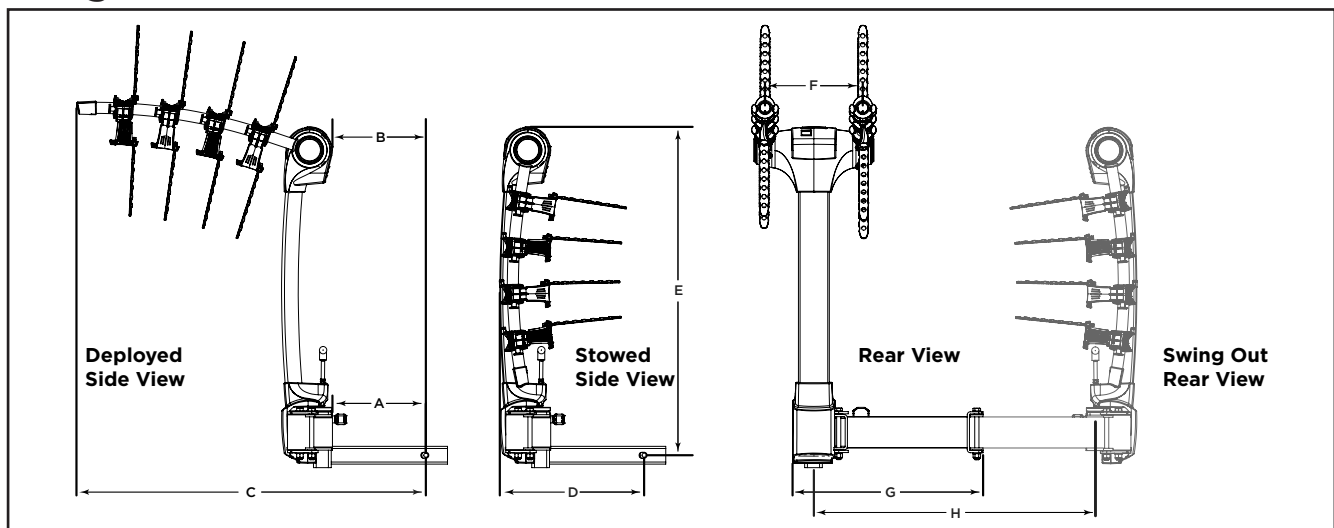
Tilt Models



MODEL	A	B	C	D	E	F
934XT	10"	13.5"	38.5"	21.5"	33.75"	11"
935XT	10"	13.5"	30.75"	21.5"	33.75"	11"
936XT	10"	13.5"	38.5"	21.5"	33.75"	11"
937XT	10"	13.5"	30.75"	21.5"	33.75"	11"
951XT	5.25"	9.5"	43.75"	17"	33.75"	11"
956	5.25"	9.5"	34.5"	N/A	34.5"	11"
957	10"	13.5"	38.5"	N/A	34.5"	11"
958	5.25"	9.5"	26.5"	N/A	34"	11"
9042	10.815"	13.234"	32.58"	21.09"	37.36"	11"

MODEL	A	B	C	D	E	F
9043	10.815"	13.234"	37.87"	21.09"	37.36"	11"
995XT	10"	12.5"	39"	21.5"	33.75"	11"
996XT	10"	12.5"	39"	21.5"	33.75"	11"
998XT	7.5"	9.5"	37.75"	17"	33.75"	11"
9025	7"	9.29"	38.14"	14.709"	37.04"	11"
9026	7"	9.29"	42.14"	14.709"	37.04"	11"
9028XT	6.25"	8.54"	29.25"	13.96"	37.04"	11"
9029XT	6.25"	8.54"	37.39"	13.96"	37.04"	11"
9030XT	6.25"	8.54"	41.39"	13.96"	37.04"	11"

Swing Models

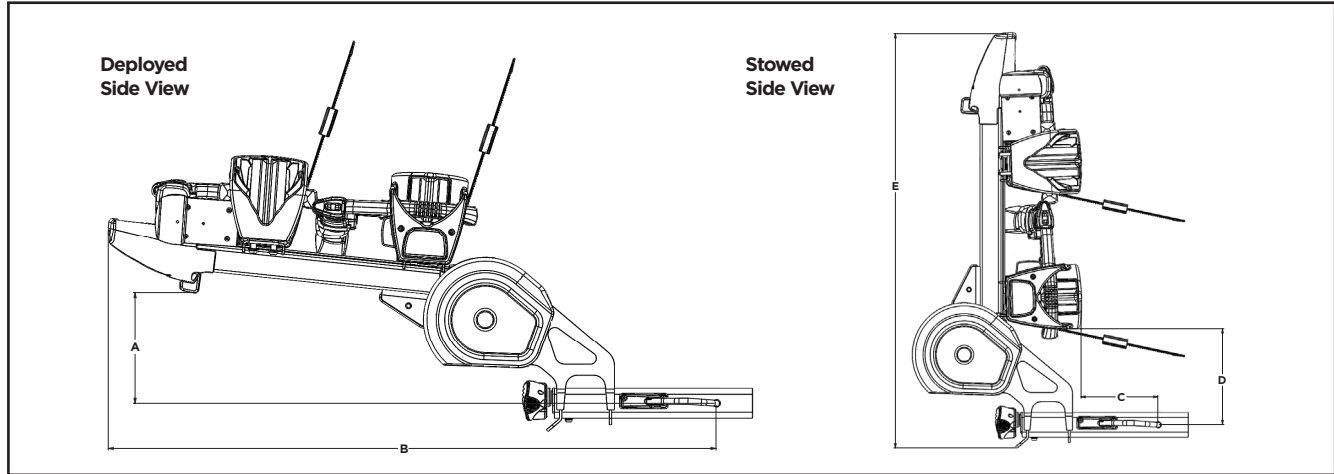


MODEL	A	B	C	D	E	F	G	H
9027	7.27"	8.81"	37.66"	14.54"	37.59"	11"	21.48"	31"
9031XT	9"	10.53"	39.38"	16.26"	37.20"	11"	21.48"	31"

REAR MOUNT CARRIERS

Hitch Dimensions

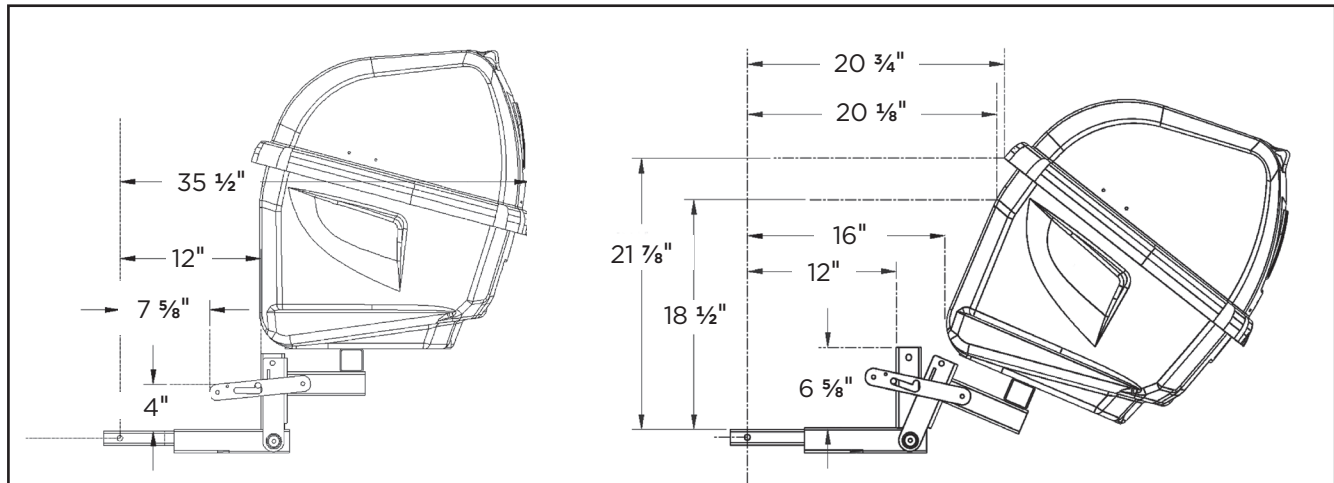
Platform Models



MODEL	A	B	C	D	E
9034/9034XT	7.56"	41.54"	6.26"	7.89"	33.83"
9035/9035XT	7.9"	41.54"	6.26"	7.89"	33.83"
9034XT+9036XT	9.60"	60.1"	6.26"	7.89"	52.5"
9044	6.4"	35.3"	4.5"	8.9"	29.25"
9045	7.9"	34.3"	3.5"	10.4"	28"
9044+9046	7.9"	55"	4.5"	8.9"	49"

MODEL	A	B	C	D	E
990XT	6"	33"	6"	16"	31.25"
9054	5"	33.9"	5.8"	14.25"	30.6"
9032	6"	32"	9.5"	N/A	32"

665C Thule Transporter Combi



Hitch Cargo Box	
Product name	Transporter Combi
Cargo volume	13 cu. ft. / 368 L
Weight limit (including weight of box)	150 lbs. / 68 kg
Minutes to install	10
Exterior dimensions L x W x H	50.5 x 23.5 x 24.5" 128 x 60 x 62 cm

continued	
Interior length	47" / 119 cm
Interior width	21.5" / 55 cm
Interior height	22.5" / 57 cm
Weight	55 lbs / 24.9 kg
Part number / Color	665C / black
Fits 1 1/4" and 2" Receiver Hitches	Y

9033 Thule Tram Hitch Ski Carrier



- **Due to structural differences in spare tire mounting positions, only 4 pair skis or 4 snowboards can be carried on the 9033 when using the 963XTR or 963PRO.**
- **Binding height may limit some skis to be only mounted as a single ski, limiting capacity to 3 pair skis on the 9033.**
- **Requires Thule hitch or spare tire carrier for use. Cannot be used with Thule Helium models 970XT, 971XT, 9042, 9043.**

Rack	Receiver	Maximum Capacity
956 Parkway	2"	6 pair skis / 4 snowboards (class 2-4)
957 Parkway	1¼"	4 pair skis / 2 snowboards (class 1-2)
958 Parkway	2"	4 pair skis / 2 snowboards (class 2-4)
9025 Apex	1¼"	4 pair skis / 2 snowboards (class 1-2)
9025 Apex	2"	6 pair skis / 4 snowboards (class 2-4)
9026 Apex	2"	6 pair skis / 4 snowboards (class 2-4)
9027 Apex Swing	2"	6 pair skis / 4 snowboards (class 2-4)
9028XT Vertex	1¼"	4 pair skis / 2 snowboards (class 1-2)
9028XT Vertex	2"	6 pair skis / 4 snowboards (class 2-4)
9029XT Vertex	1¼"	4 pair skis / 2 snowboards (class 1-2)
9029XT Vertex	2"	6 pair skis / 4 snowboards (class 2-4)
9030XT Vertex	2"	6 pair skis / 4 snowboards (class 2-4)
9031XT Vertex Swing	2"	6 pair skis / 4 snowboards (class 2-4)
9042 Helium Aero	1¼" and 2"	NO FIT
9043 Helium Aero	1¼" and 2"	NO FIT
Spare Me	N/A	4 pair skis / 2 snowboards