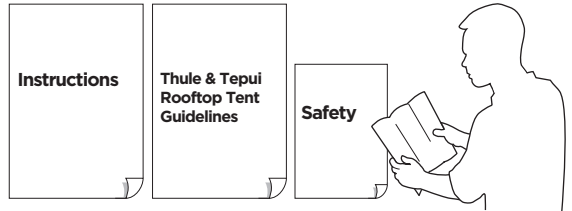


➤ **Instructions**

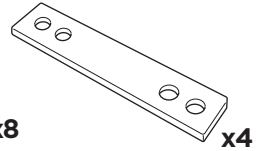
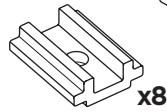
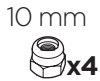
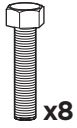
Thule Tepui Low-Pro 2

Thule Tepui Low-Pro 3

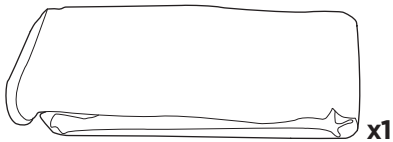
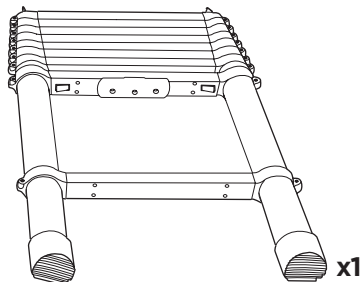
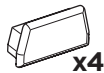
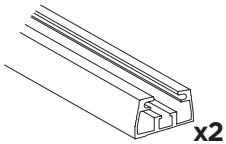
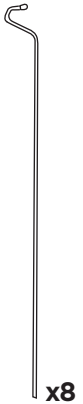
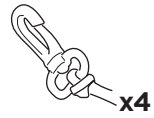
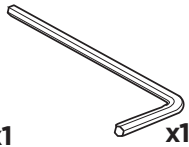
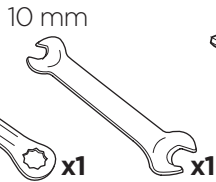
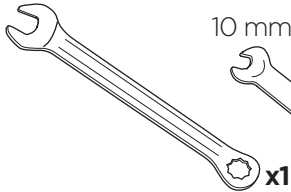
901002, 901003

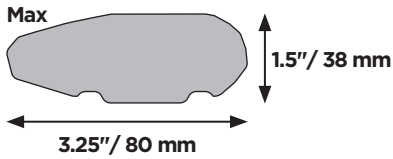


13 mm 10 mm

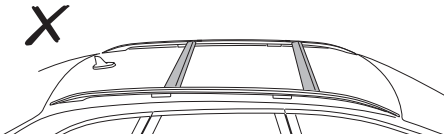
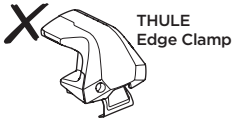
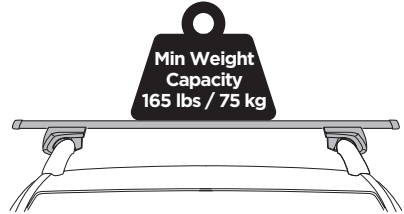
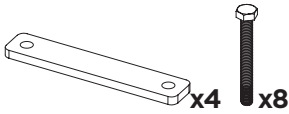


13 mm

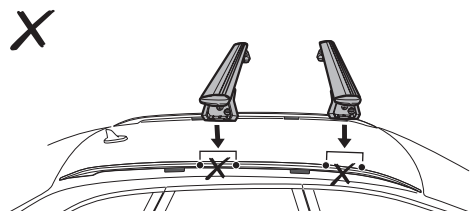
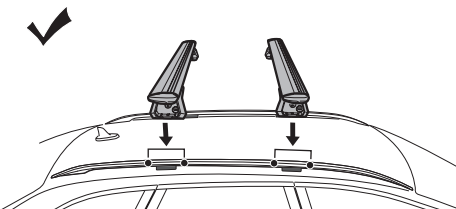
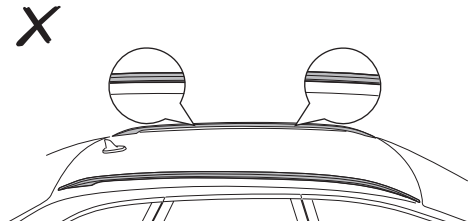
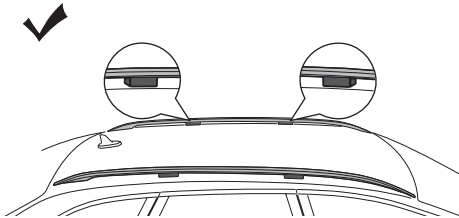
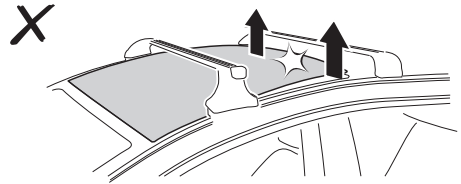


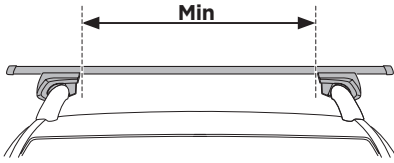


Adapter Thule Xsporter & Thule TracRac bar Xadapt 14



DO NOT use Tepui tents on factory installed crossbars.

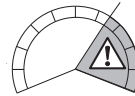
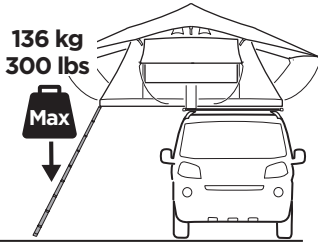




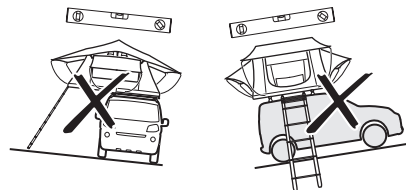
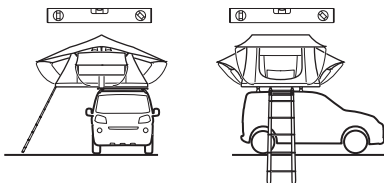
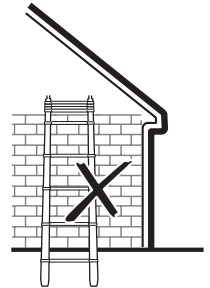
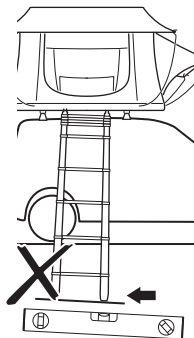
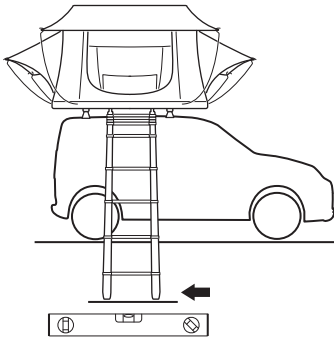
Min 23.5"/60 cm

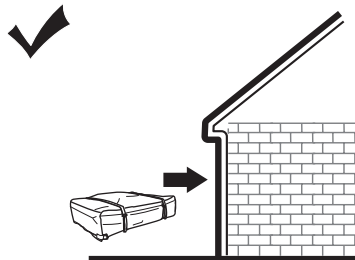
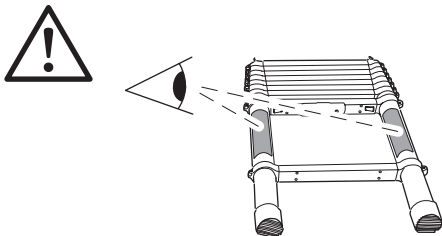
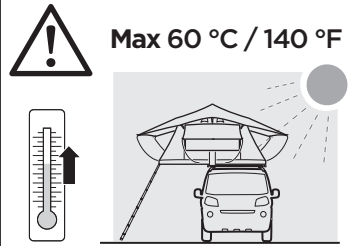
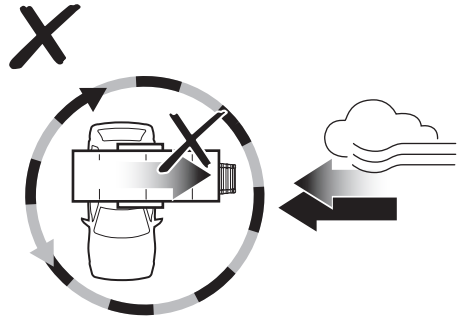
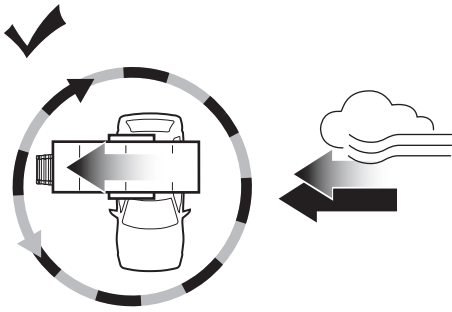
Min 32"/81 cm

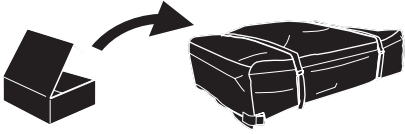
THULE SquareBar Evo Max 50"/127 cm



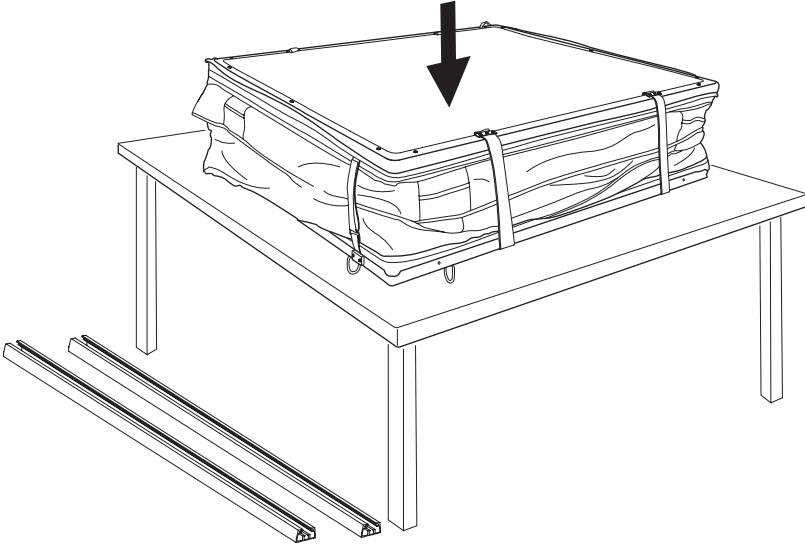
**Max 130 km/h
80 Mph**



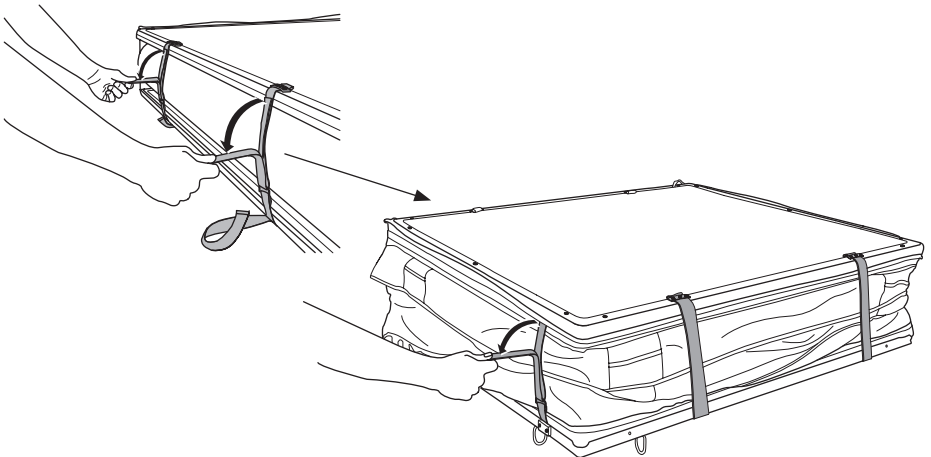




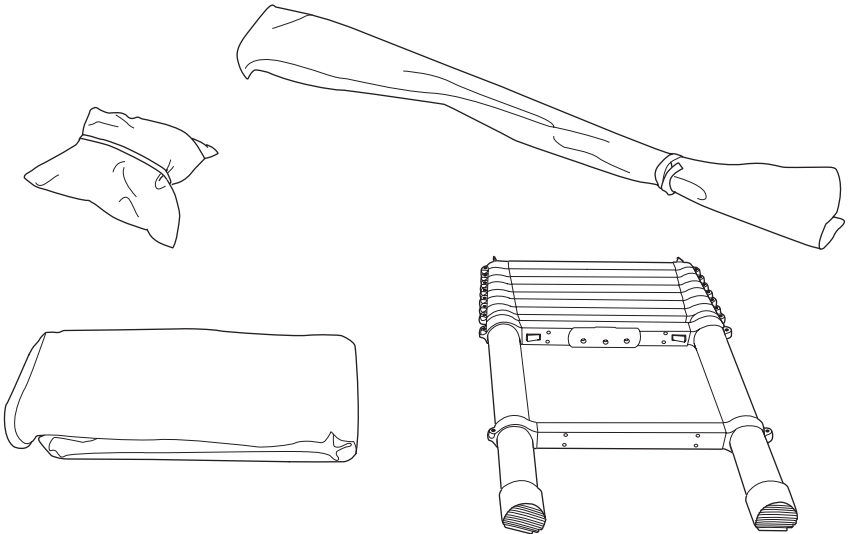
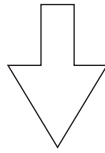
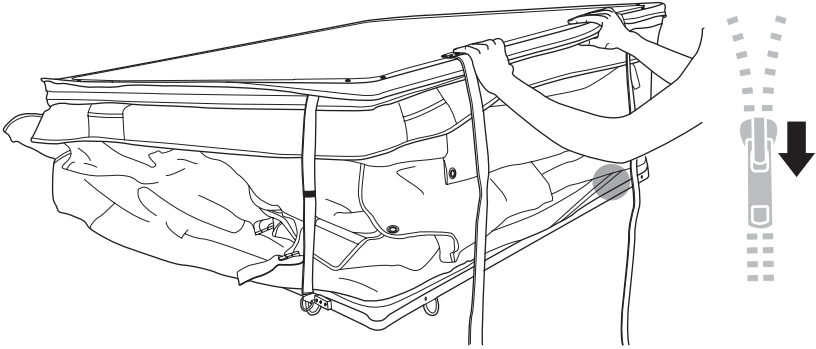
1



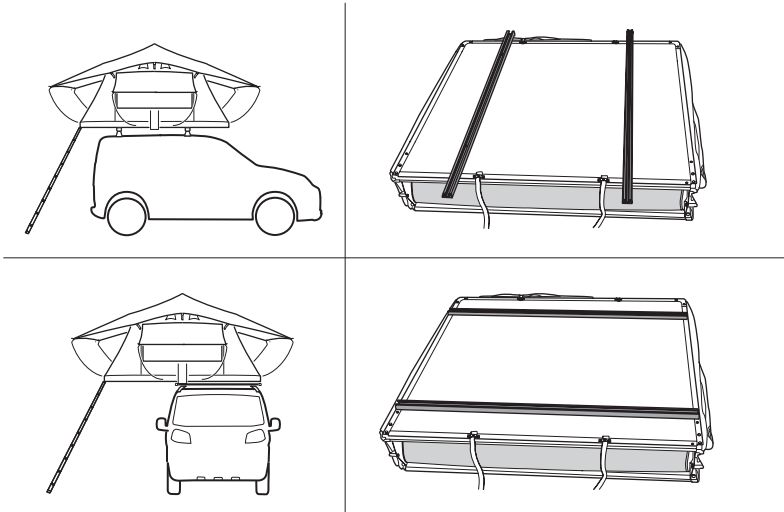
2



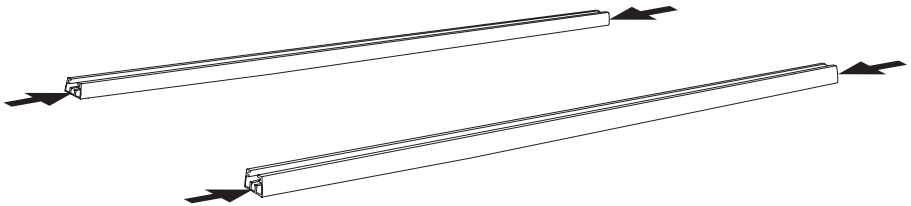
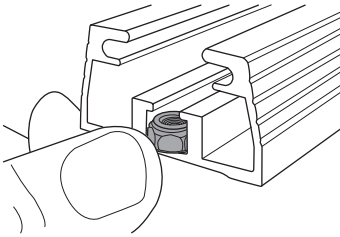
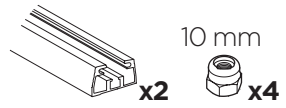
3



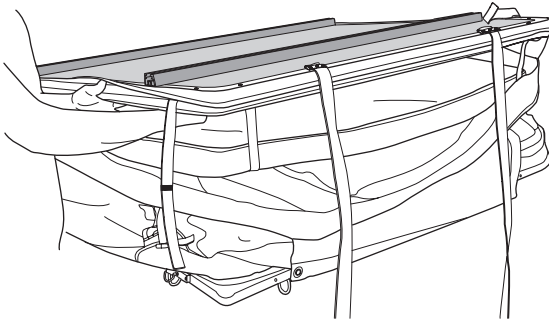
i



4



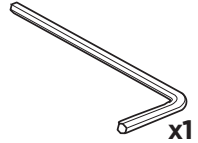
5



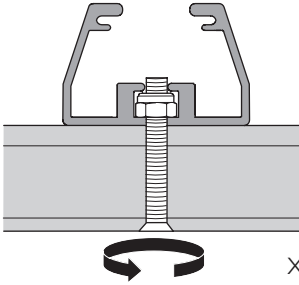
10 mm



x4



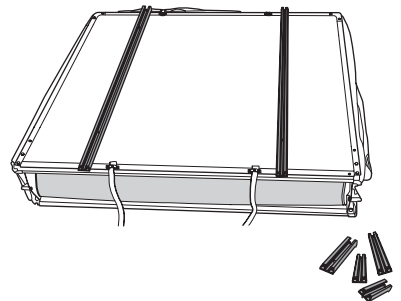
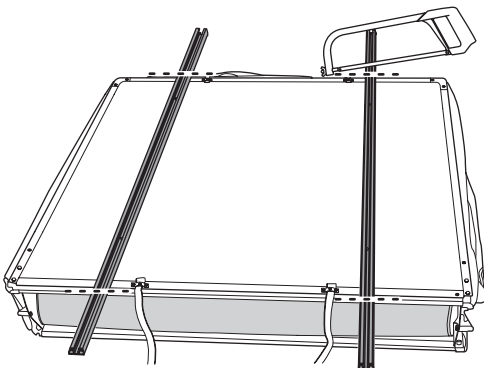
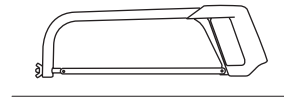
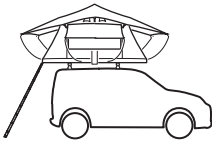
x1



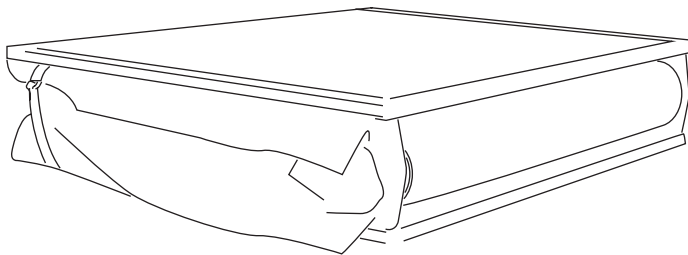
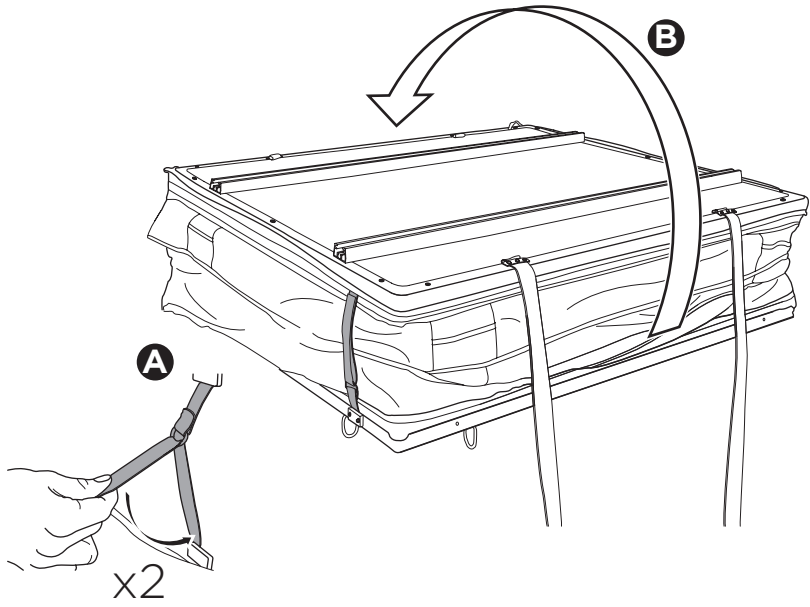
x4

x4

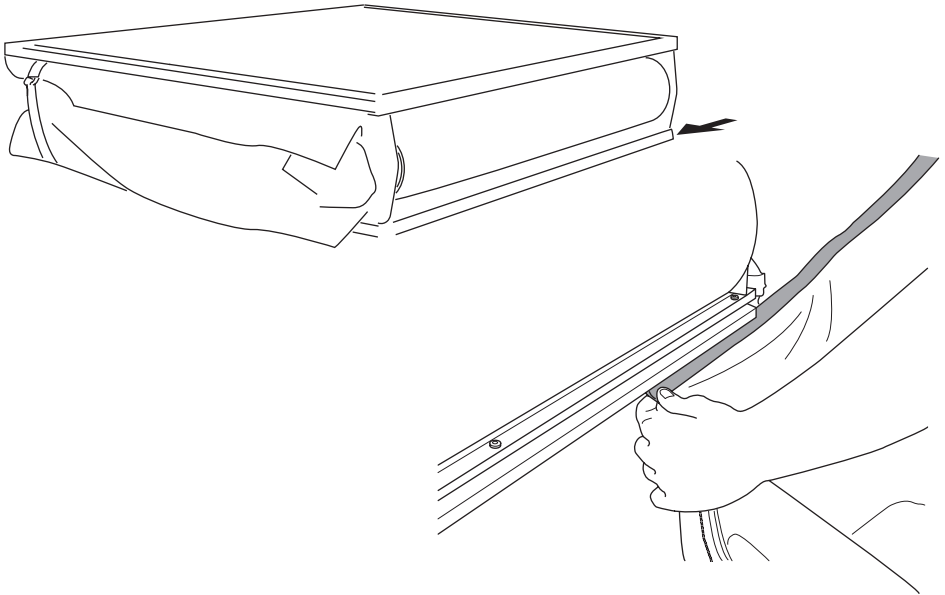
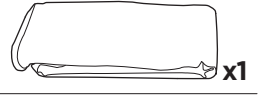
i



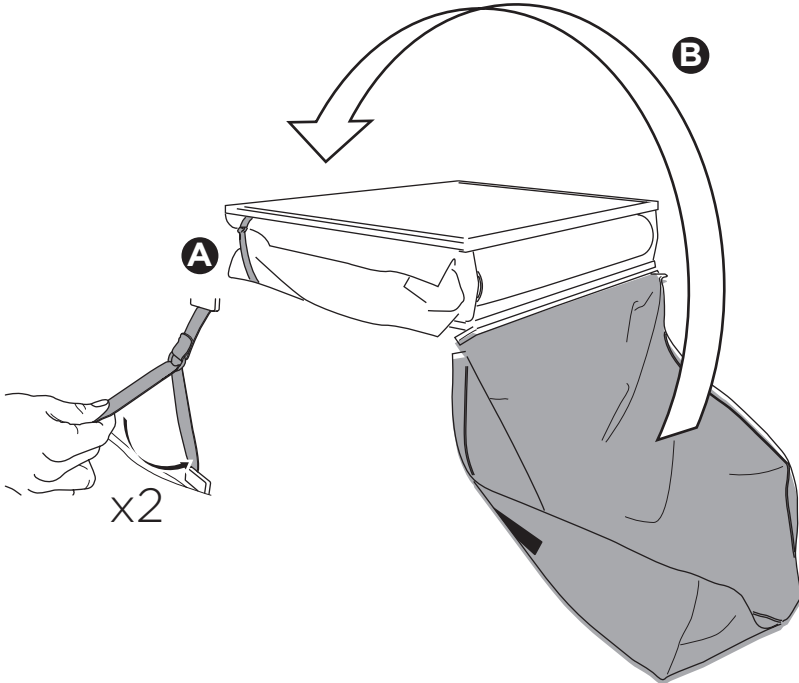
6

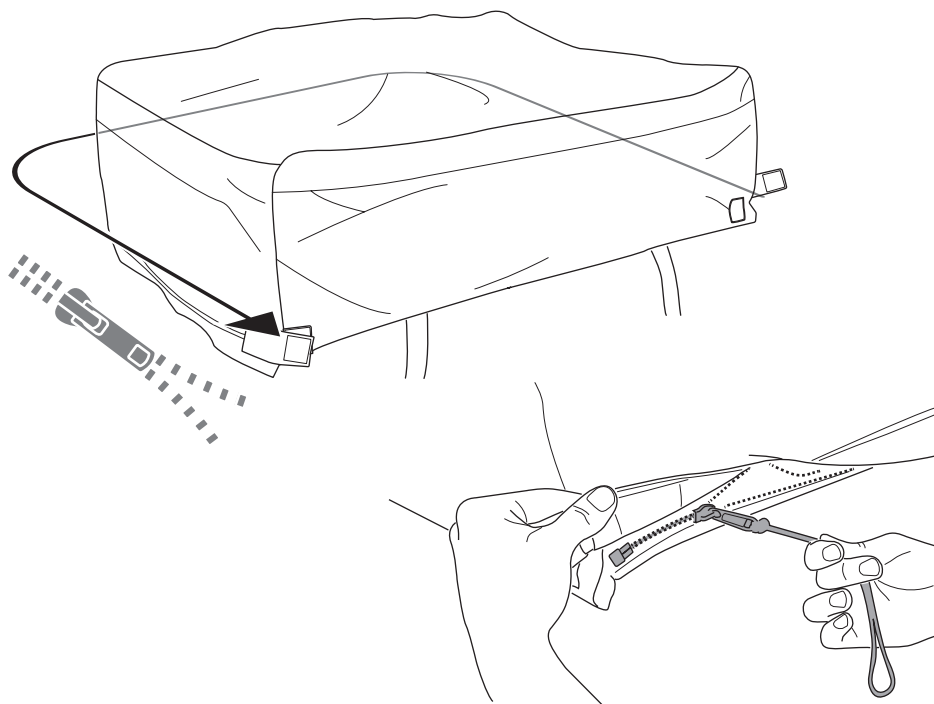


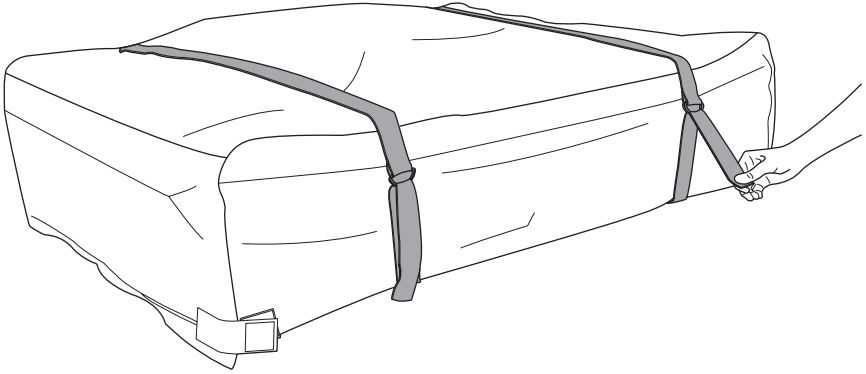
7

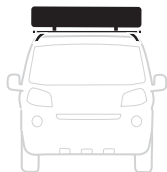


8

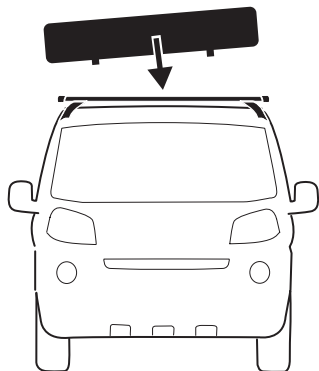




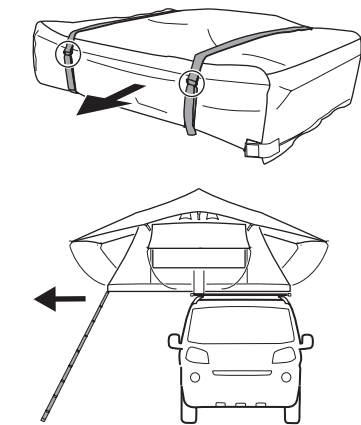




1



i



2

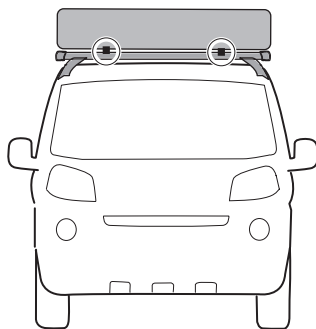
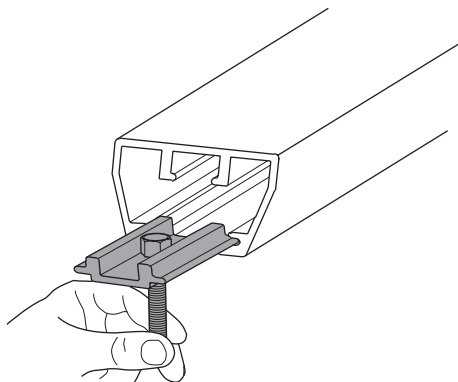
13 mm



x8

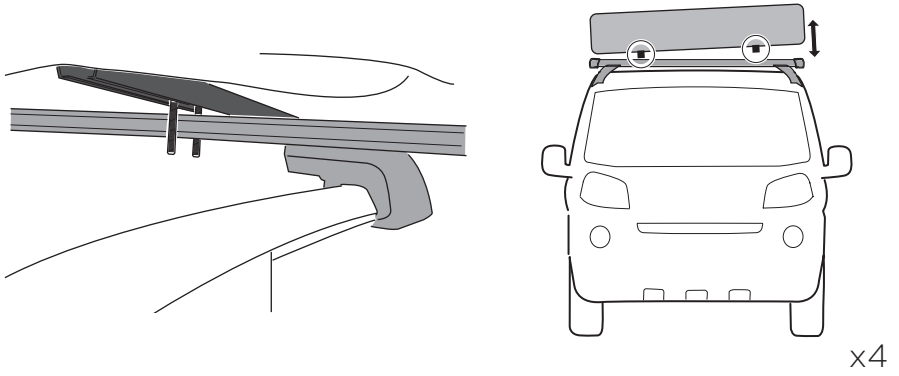


x8

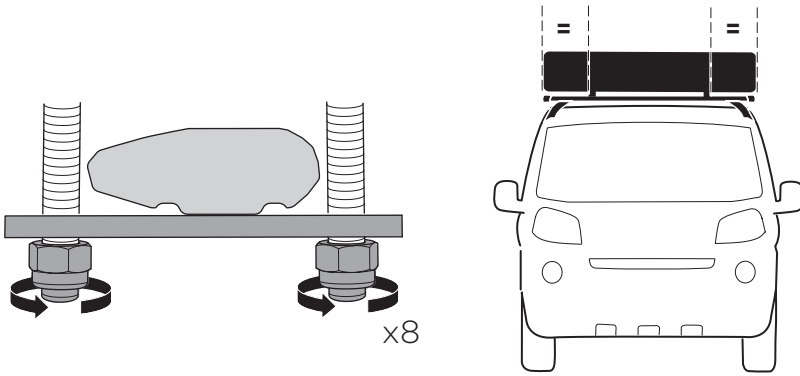


x8

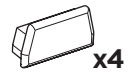
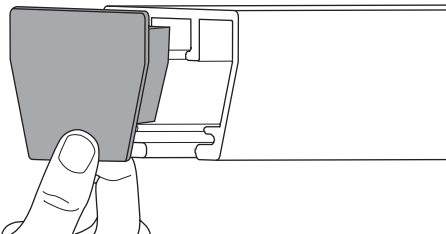
3



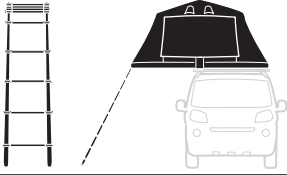
4



5

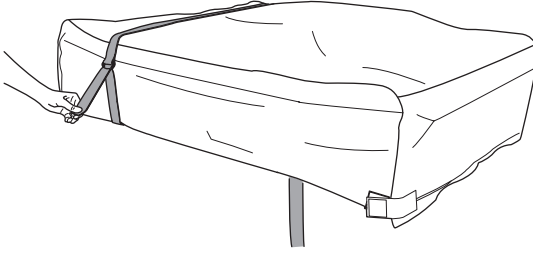


x4

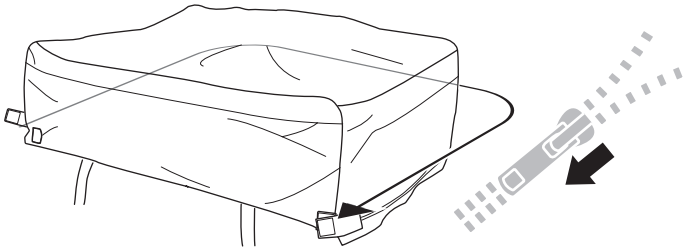


1

A

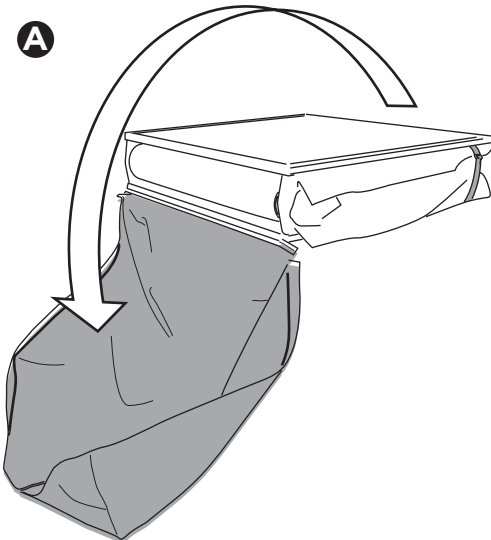


B

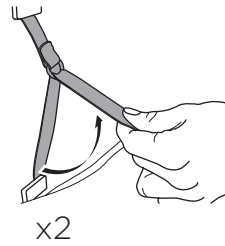


2

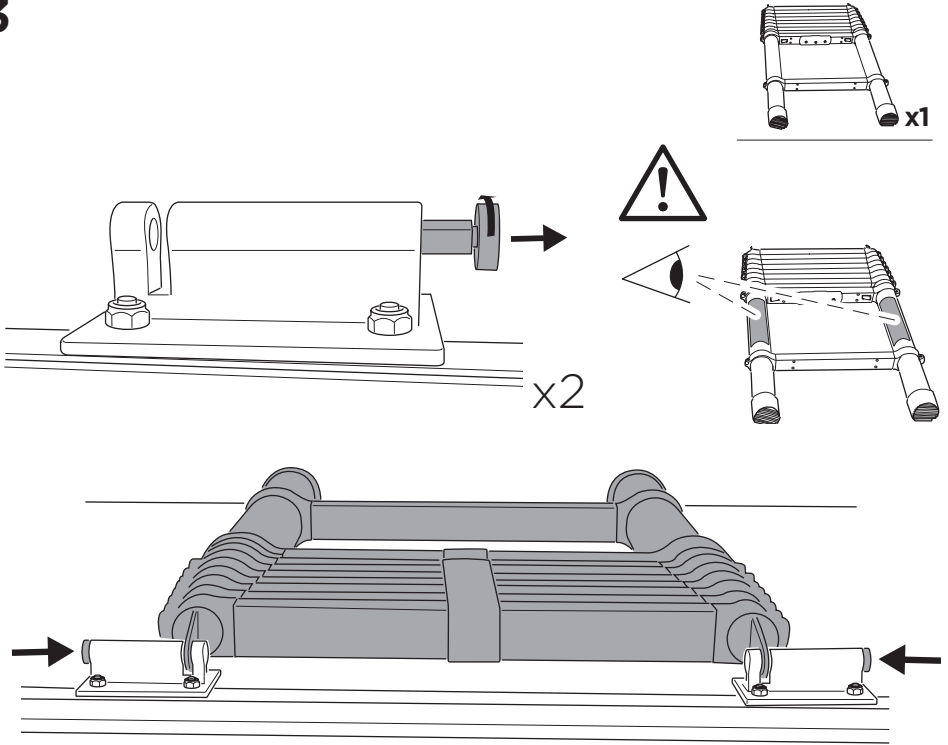
A



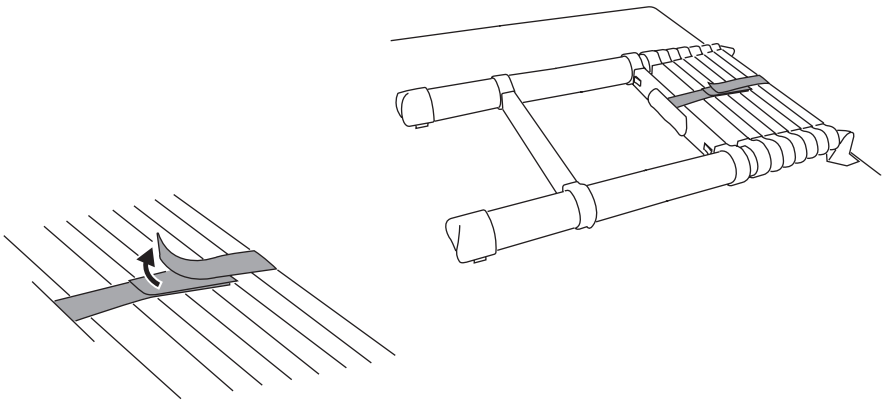
B



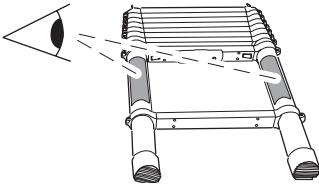
3



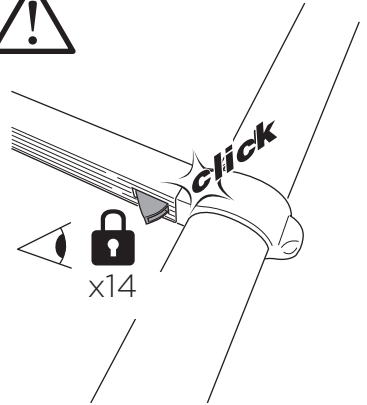
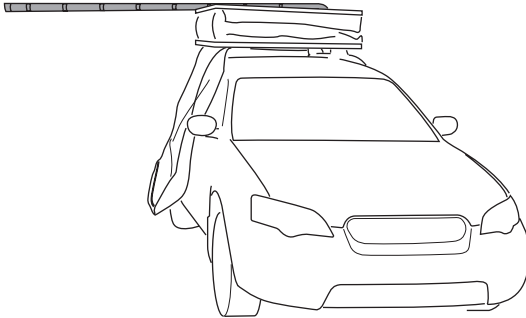
4



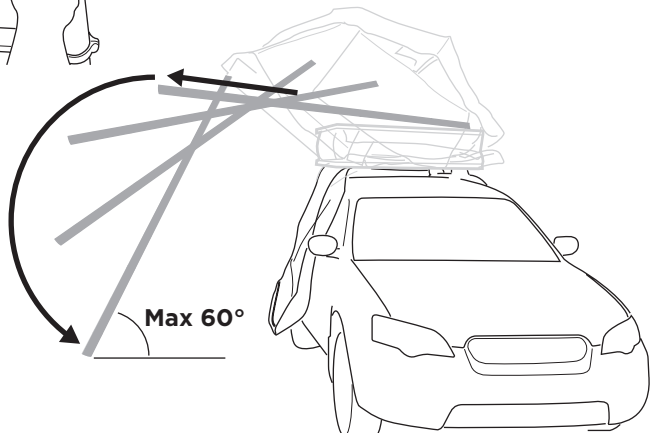
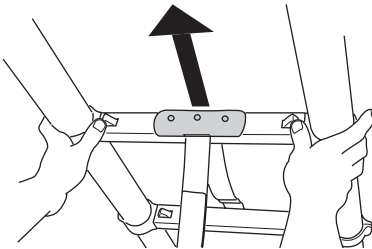
5



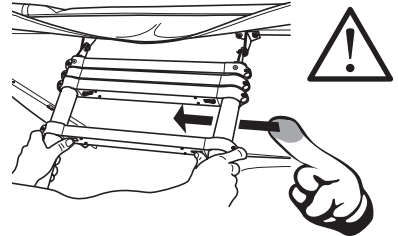
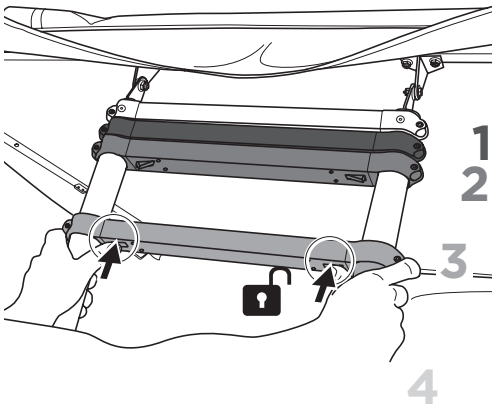
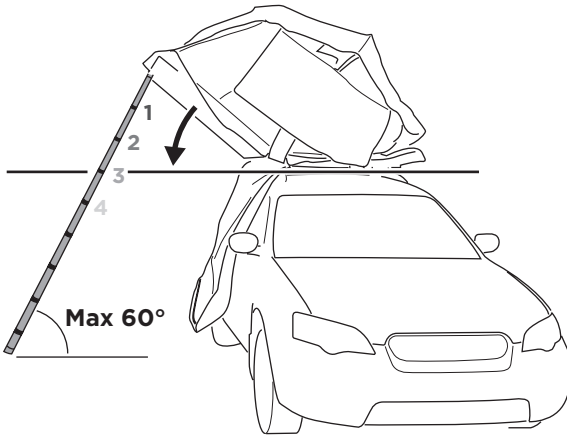
click click click click click



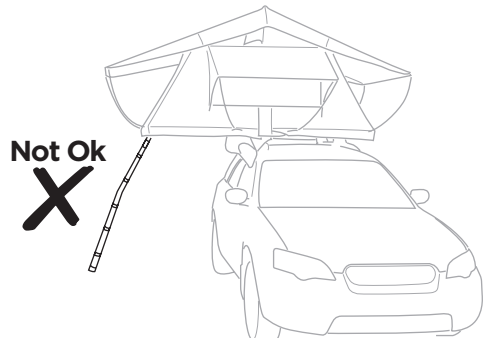
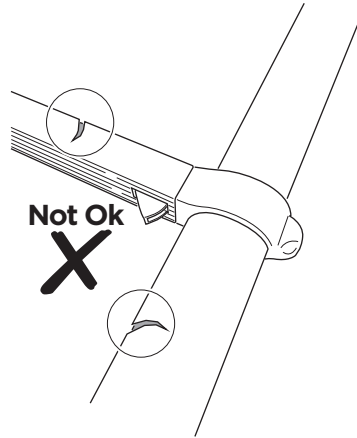
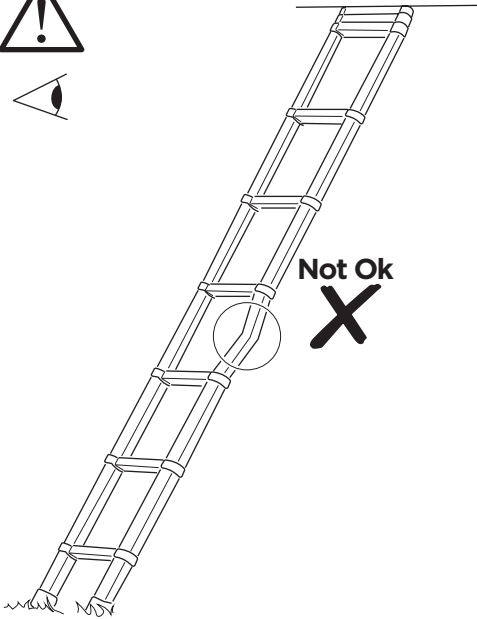
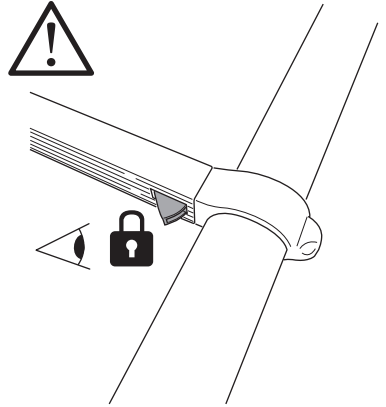
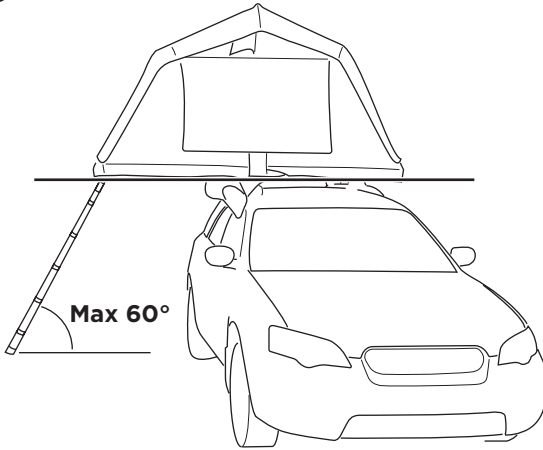
6

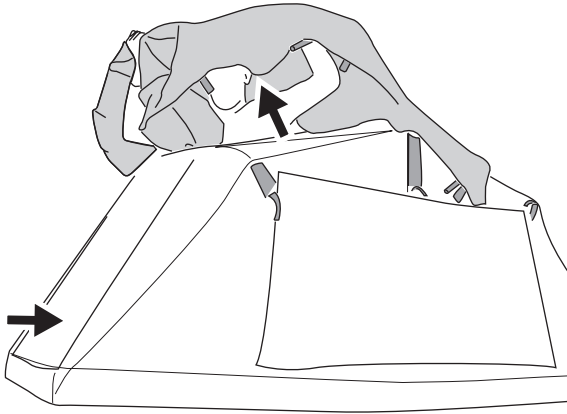
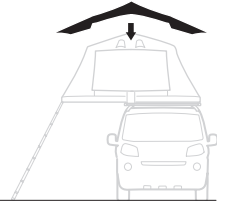


7

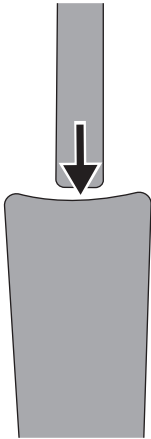


8



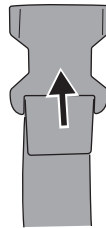
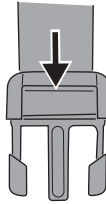


A

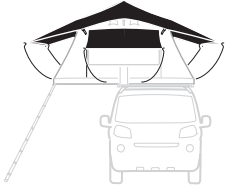


x6

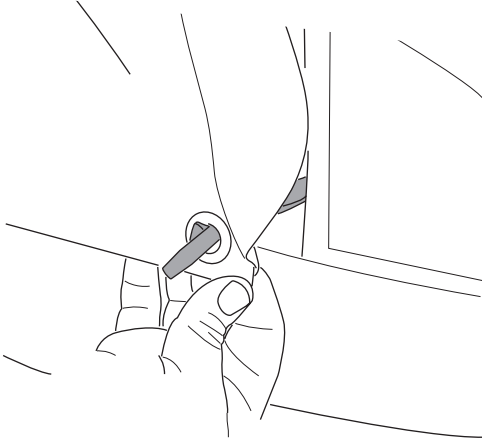
B



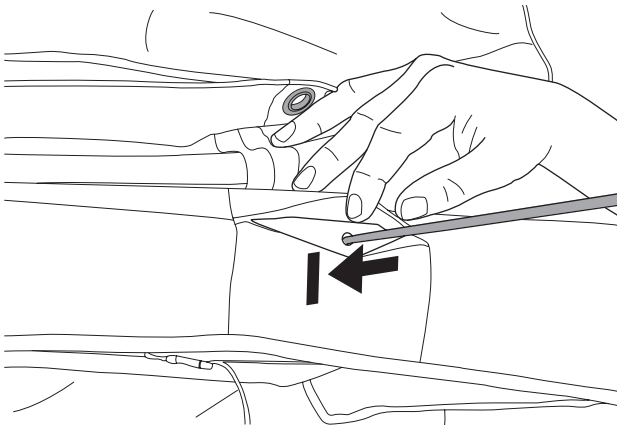
x6



1

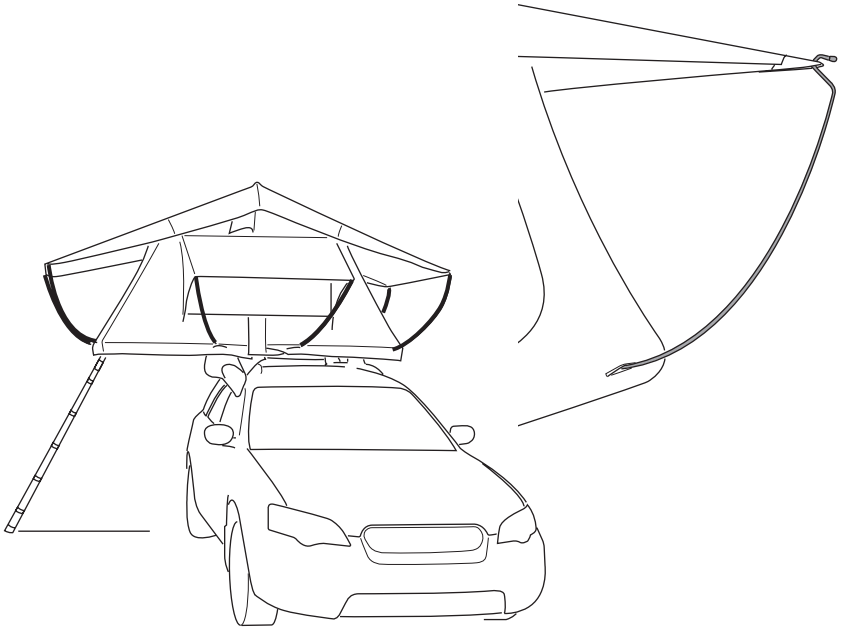


2

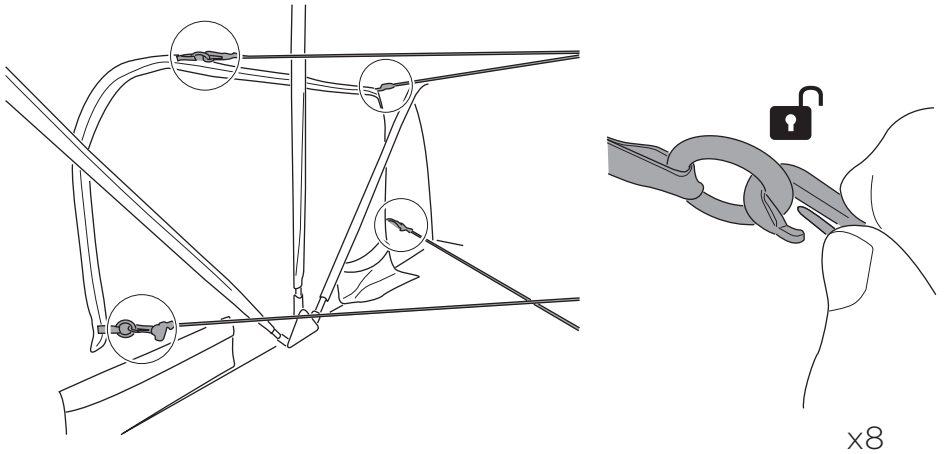


x8

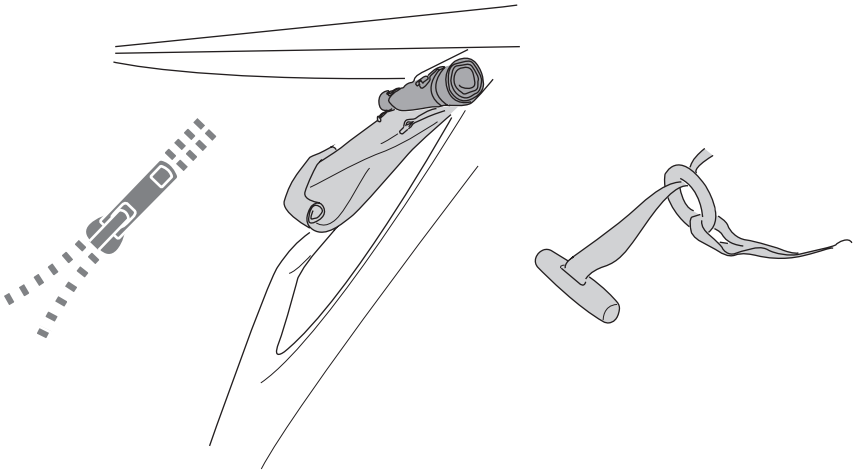
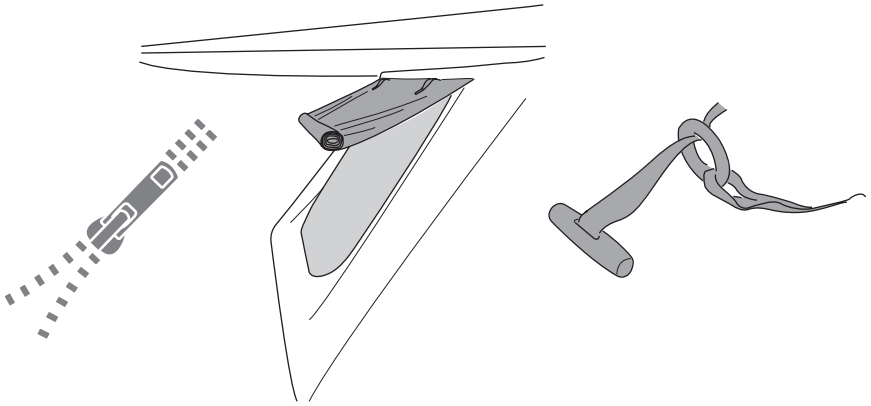
3



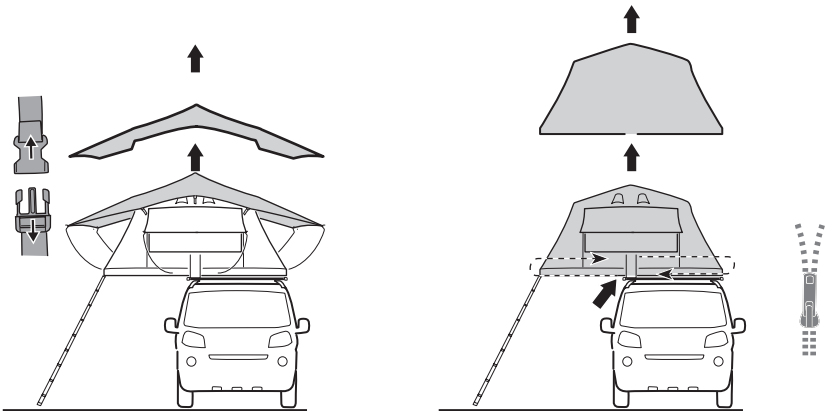
4



i

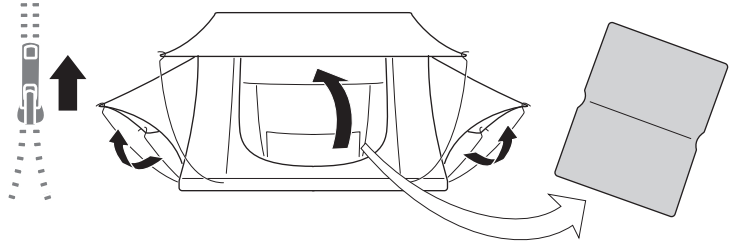


i

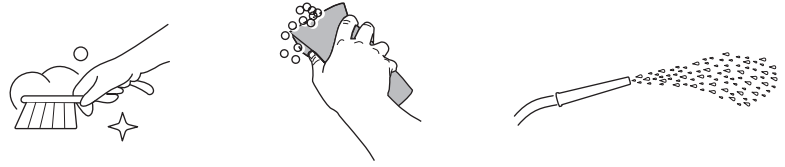




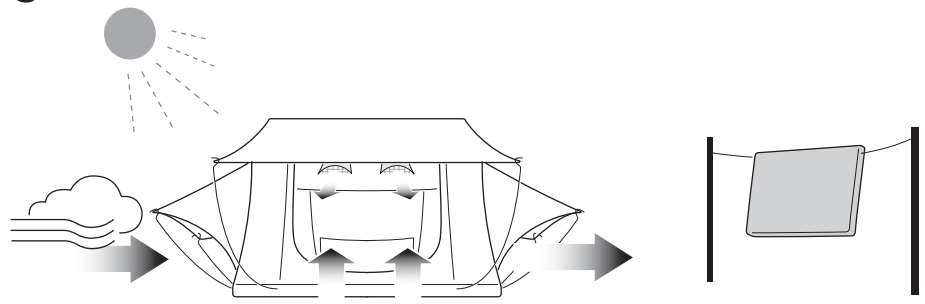
1



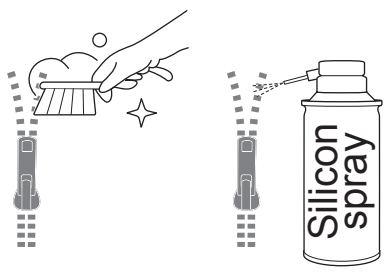
2



3

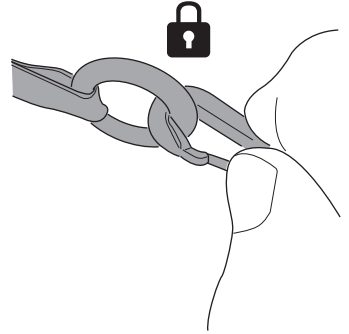
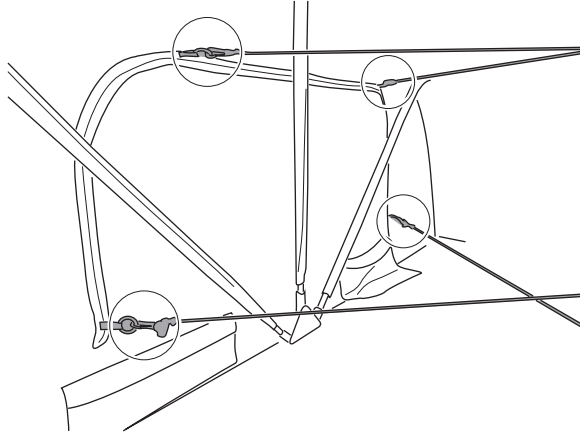


4



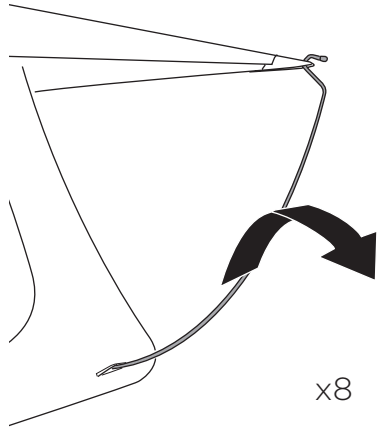
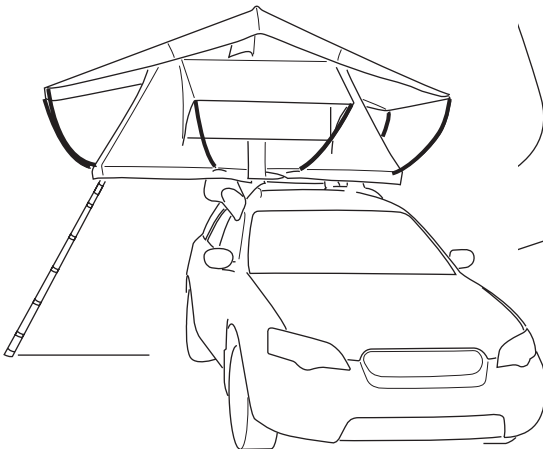


1



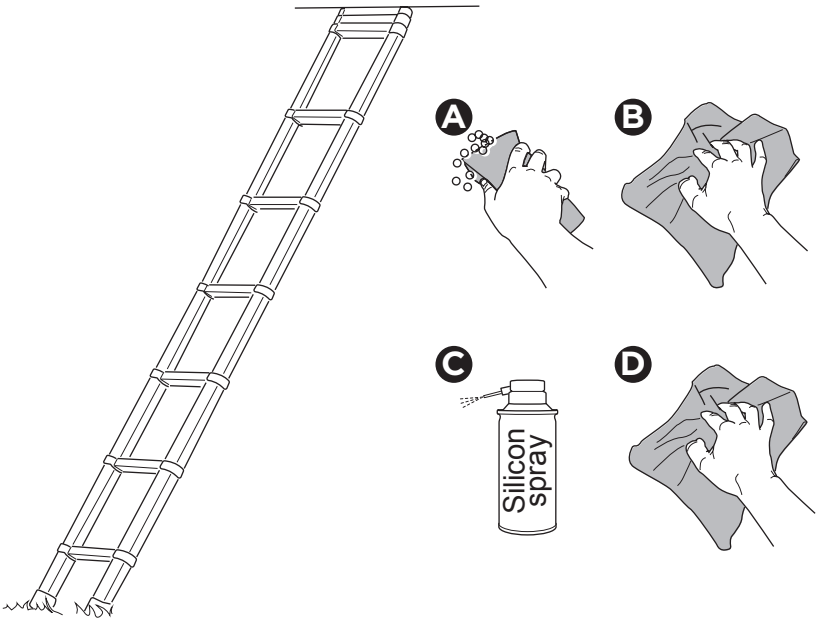
x8

2

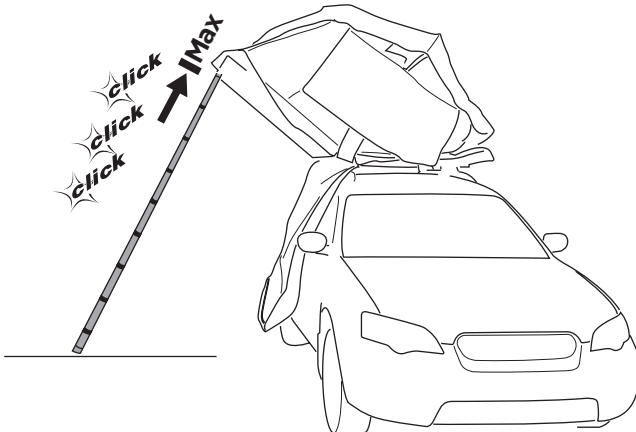


x8

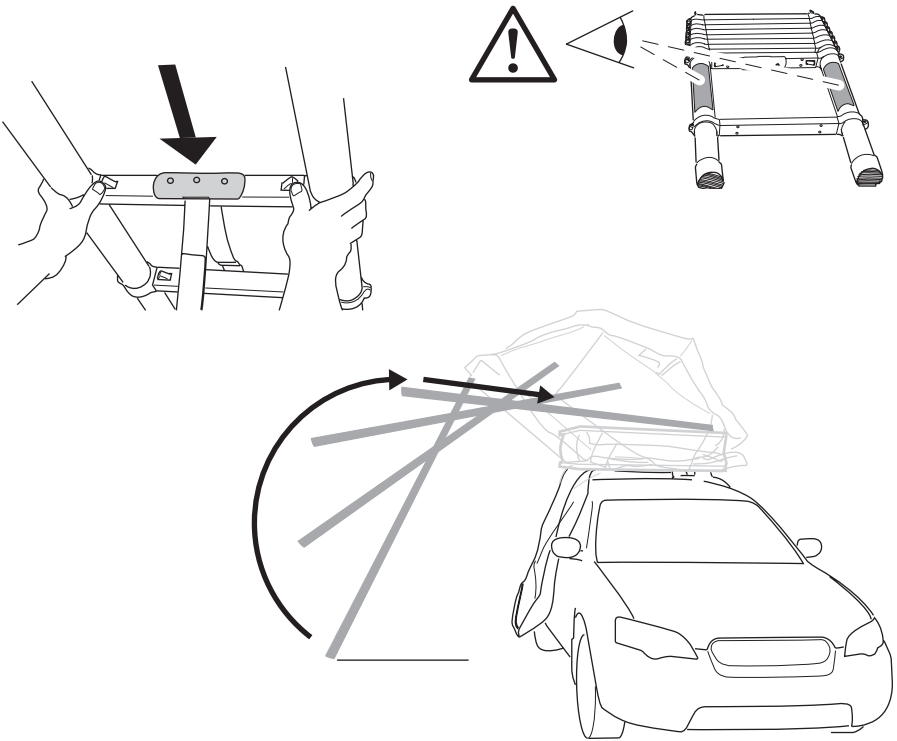
3



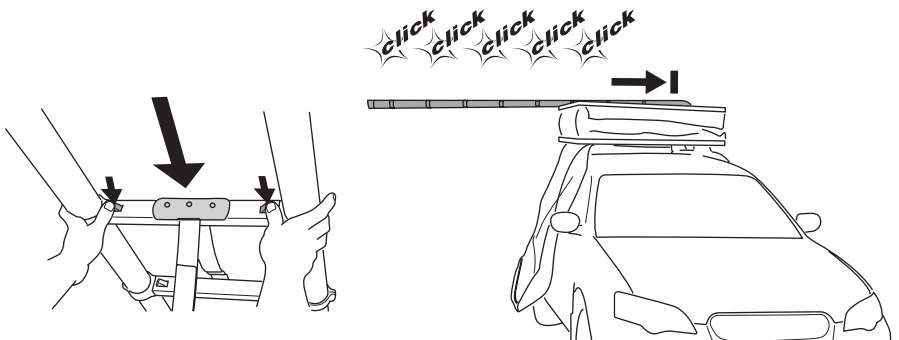
4



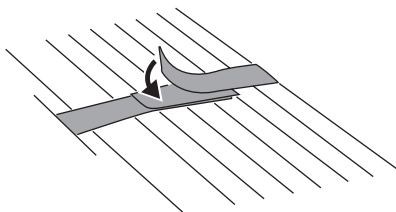
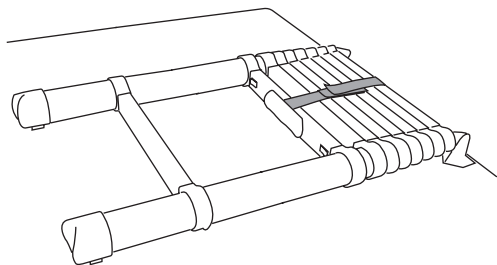
5



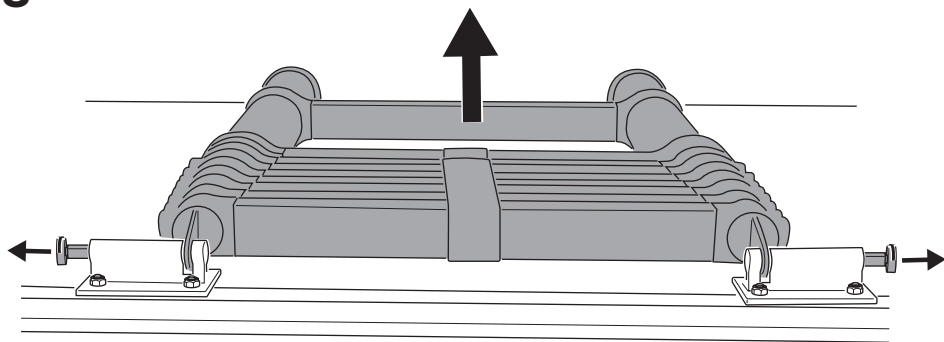
6



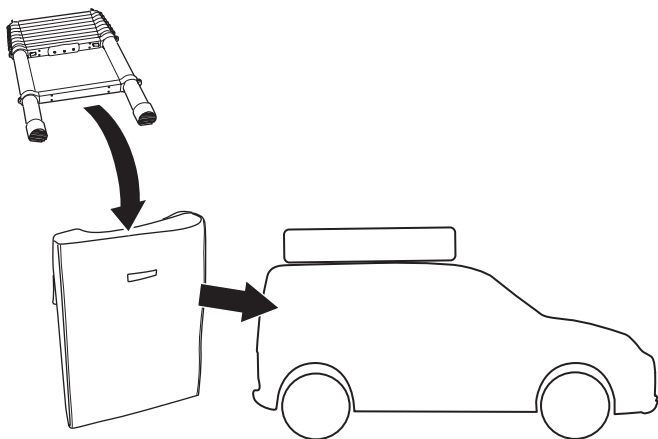
7



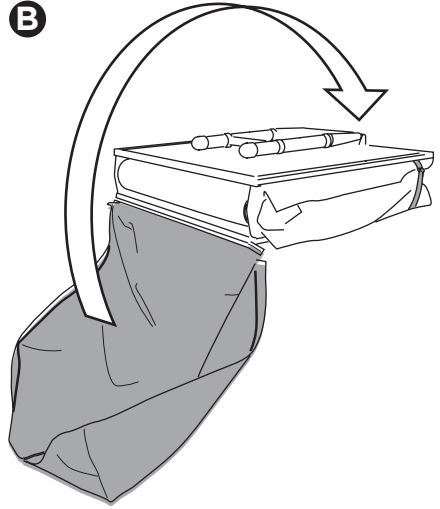
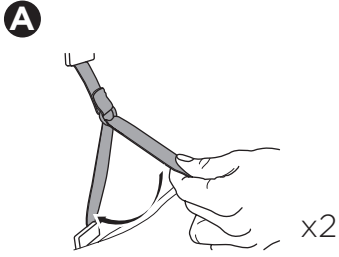
8



9



10



11

