

➤ Instructions

Thule ProRide XT

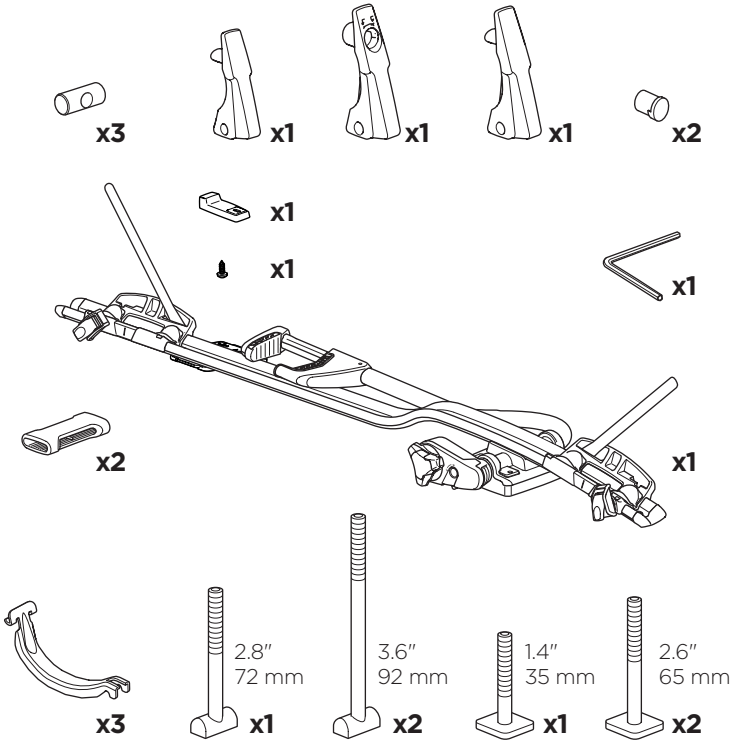
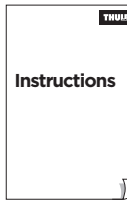
598004



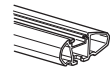


CITY CRASH

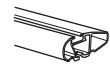
Complies with ISO norm



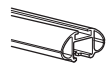
i



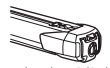
Thule WingBar Evo



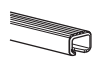
Thule AeroBlade



Thule AeroBar

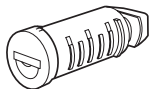


Thule SlideBar



Thule SquareBar

i



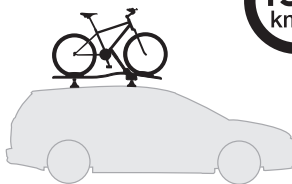
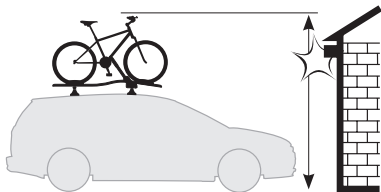
Your Key-Number



9.4lb
4.2 kg

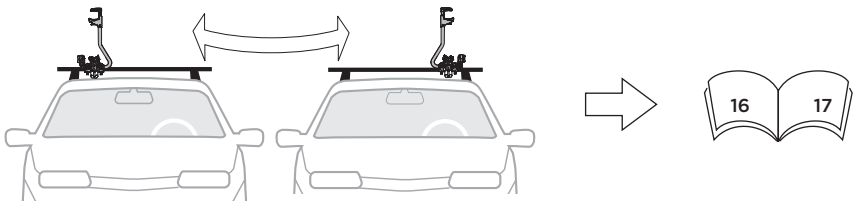
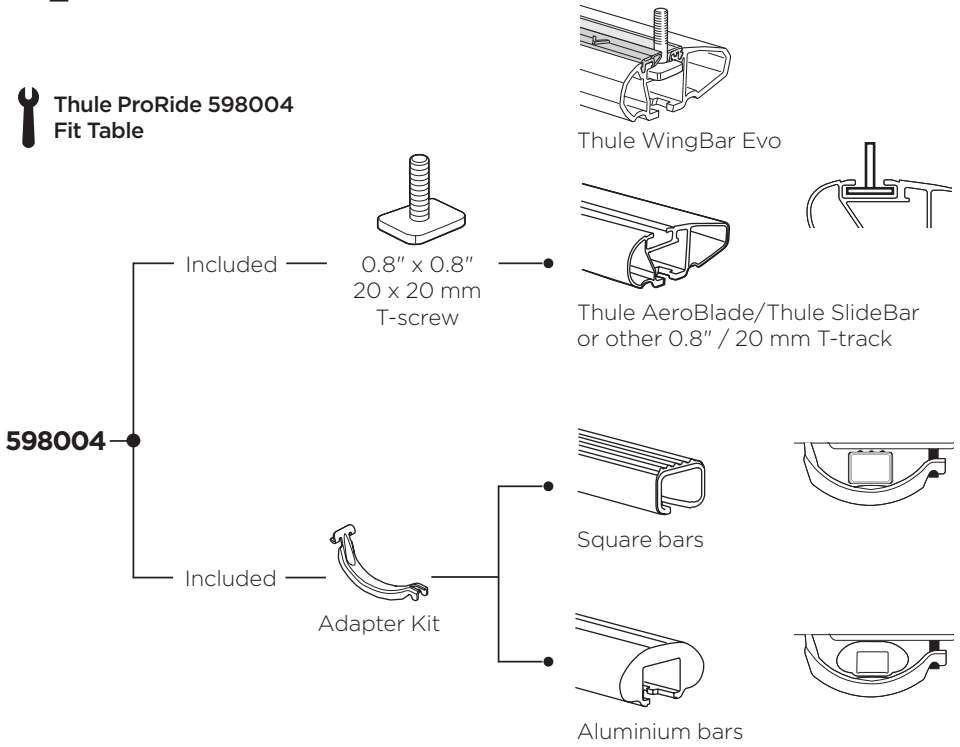


= Max 44lb
= Max 20 kg





 **Thule ProRide 598004**
Fit Table

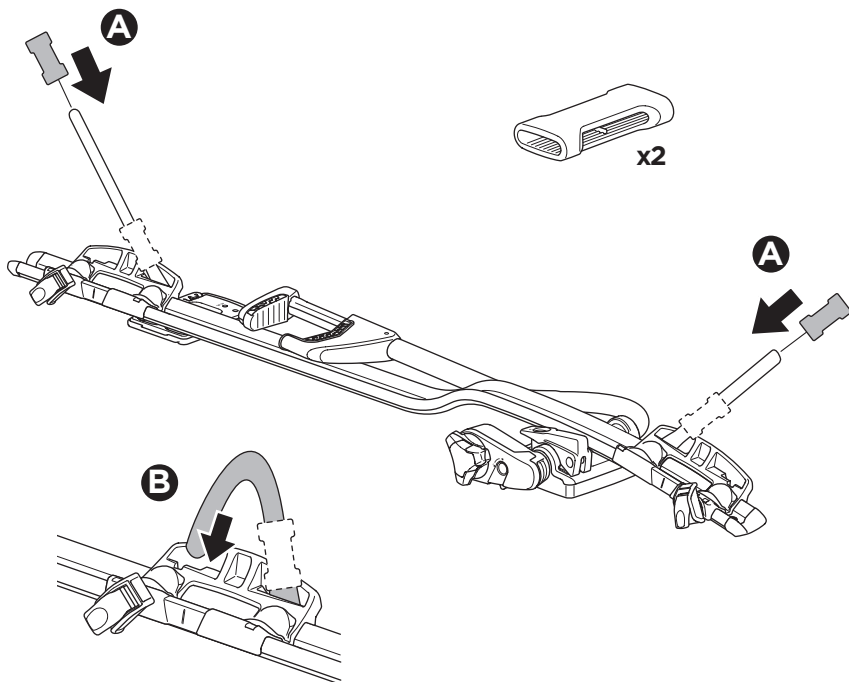


i

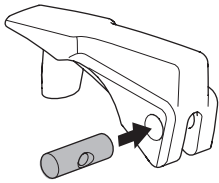


EN Only a few turns

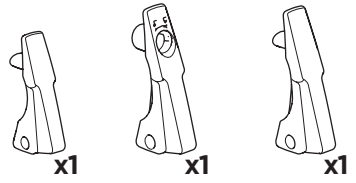
1



2

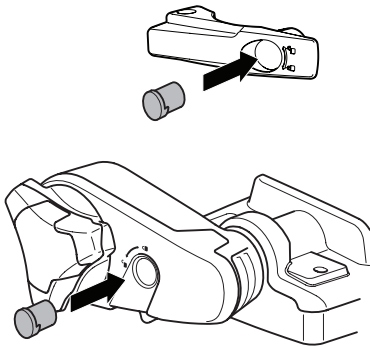


x3

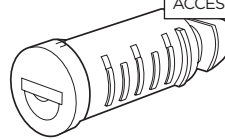


3

x2

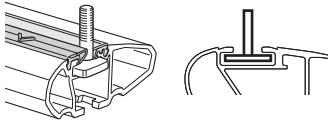


i

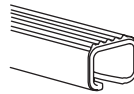


i

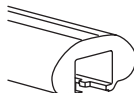
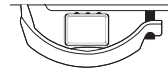
0.8" x 0.8"
20x20 mm
T-screw (included)



Thule WingBar Evo
Thule AeroBlade/Thule SlideBar
or other 0.8" / 20 mm T-track



Square bars



Aluminium bars

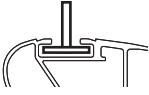


➔ 4 - 6 ➔ 11

➔ 7 - 10 ➔ 11

4

0.8" x 0.8"
20x20 mm
T-screw (included)



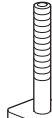
x1



x1

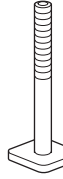


x1



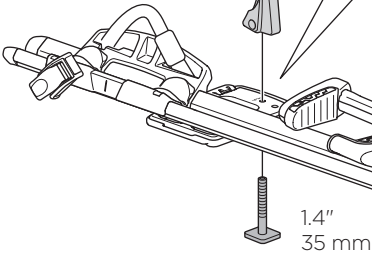
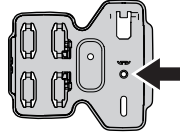
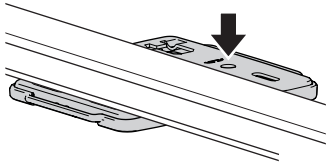
1.4"
35 mm

x1

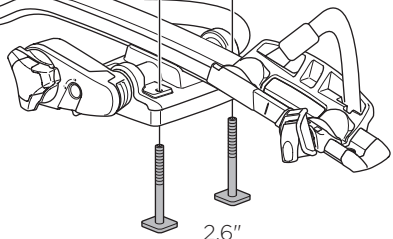


2.6"
65 mm

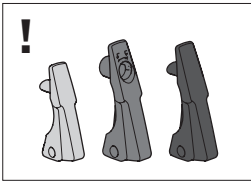
x2



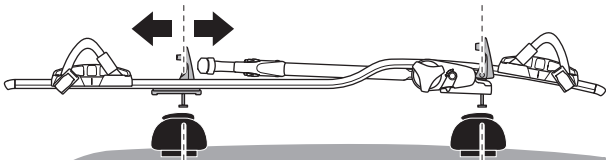
1.4"
35 mm



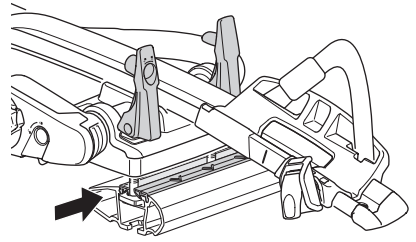
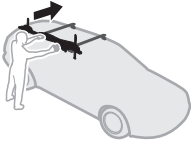
2.6"
65 mm



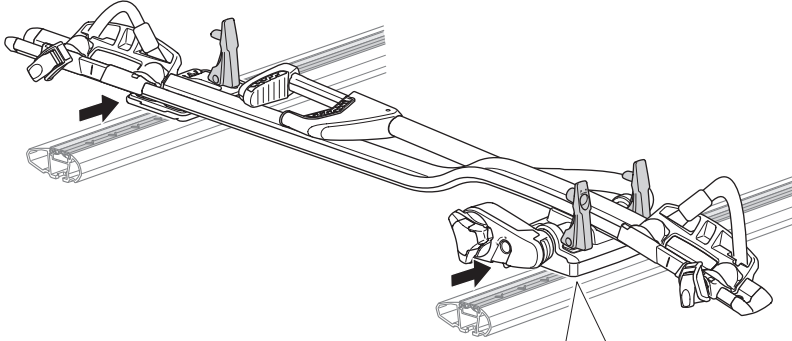
5



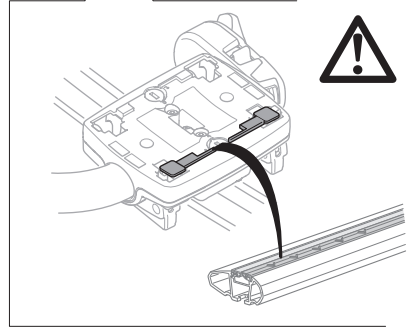
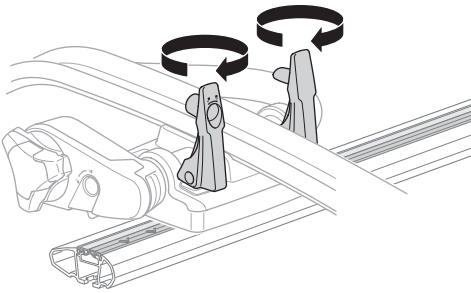
6



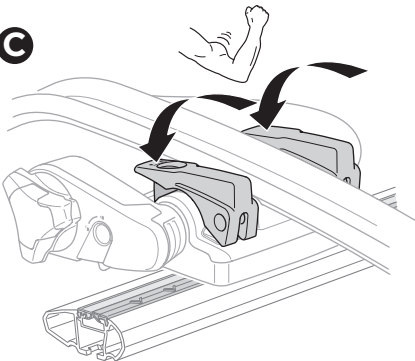
A



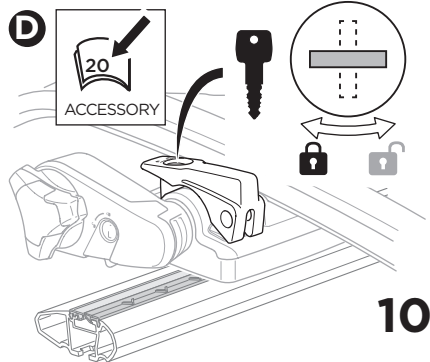
B



C

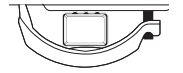


D

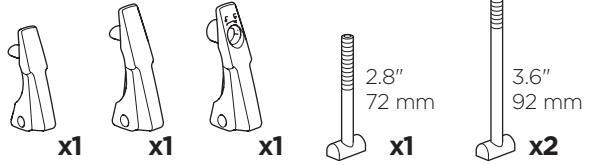


10

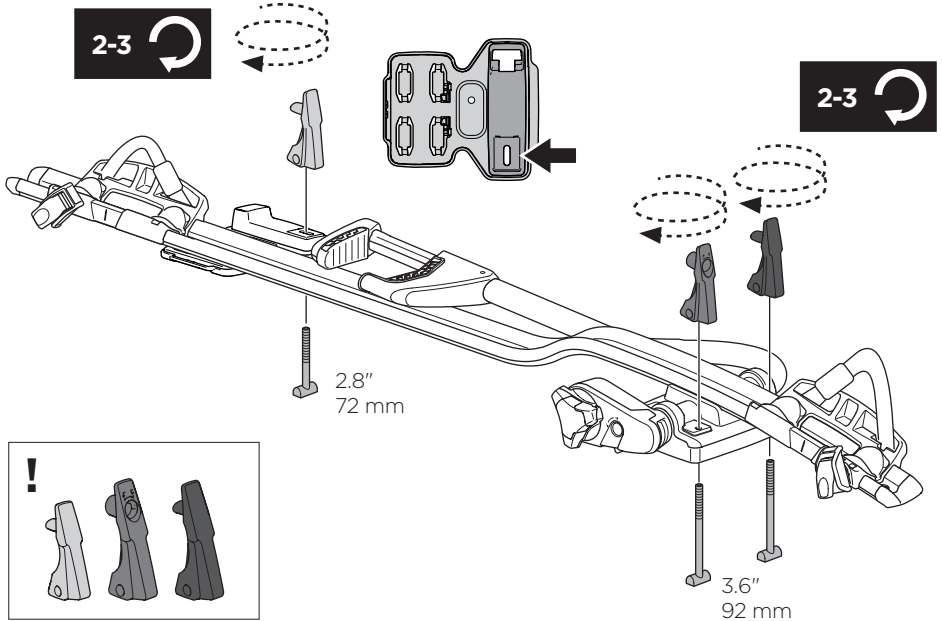
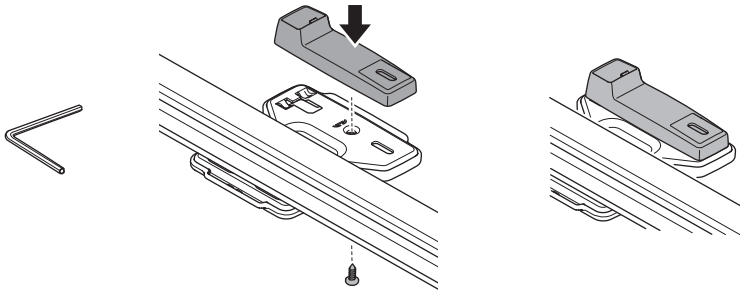
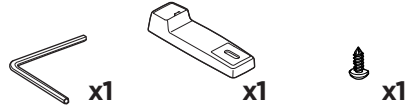
7



Thule SquareBar



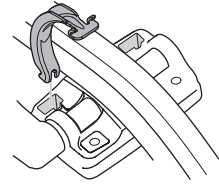
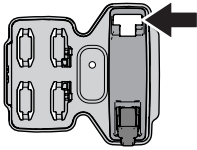
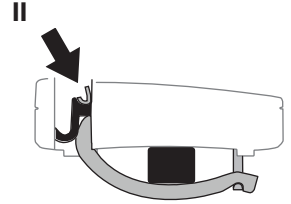
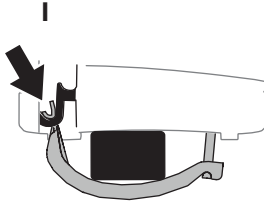
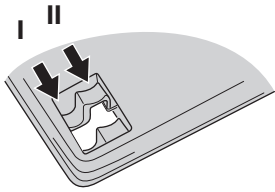
Aluminium bars



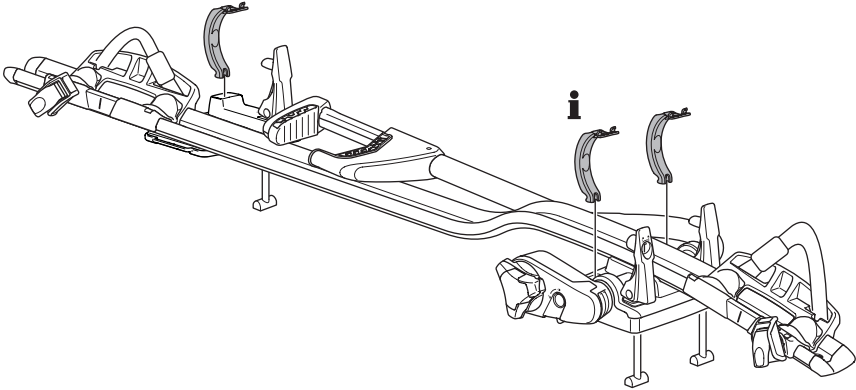
8



i

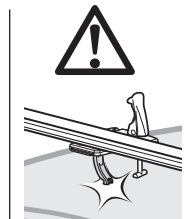
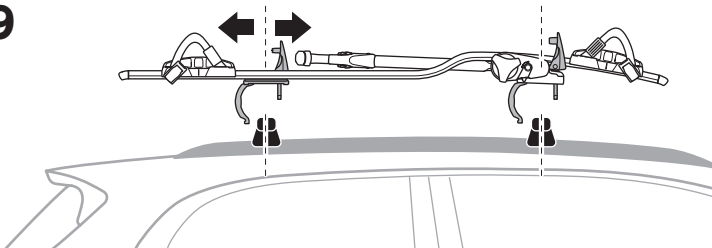


i



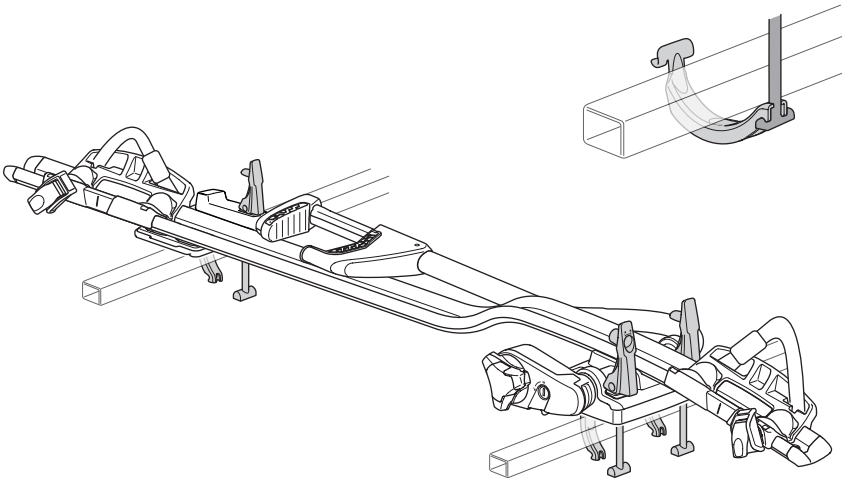
i

9

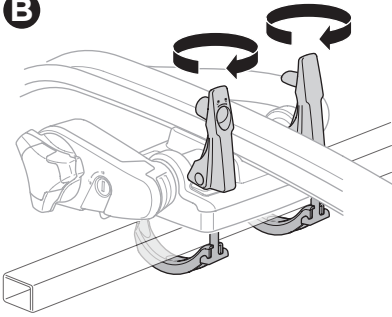


10

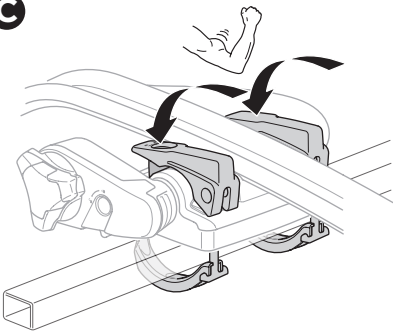
A



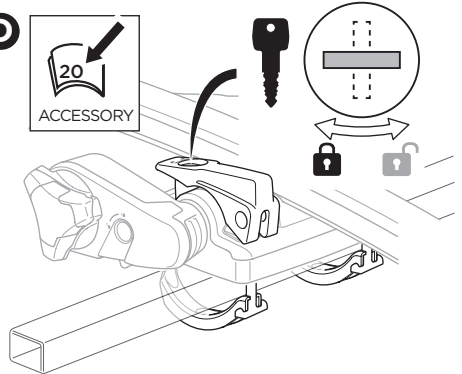
B

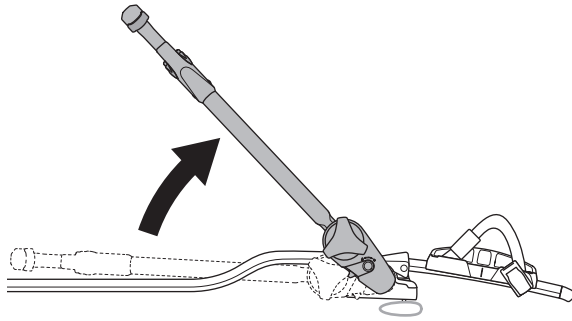


C

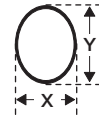


D

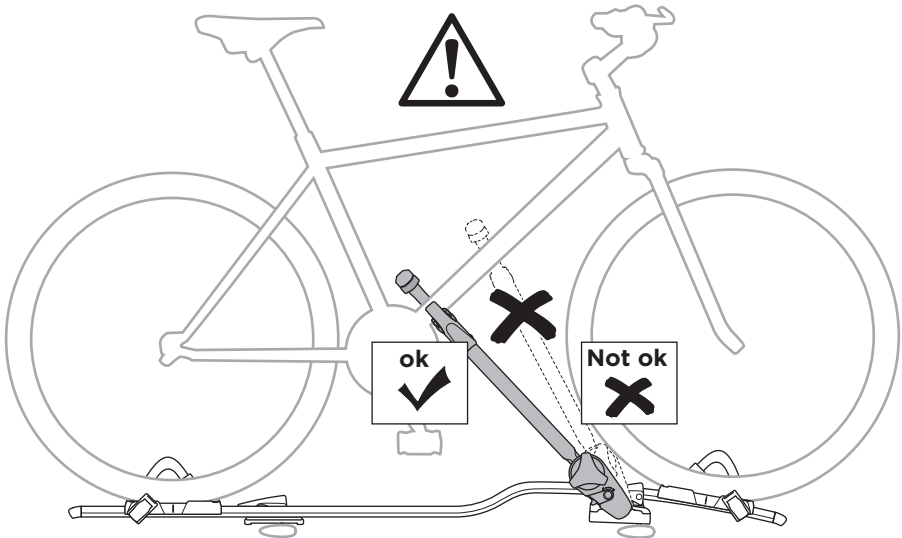




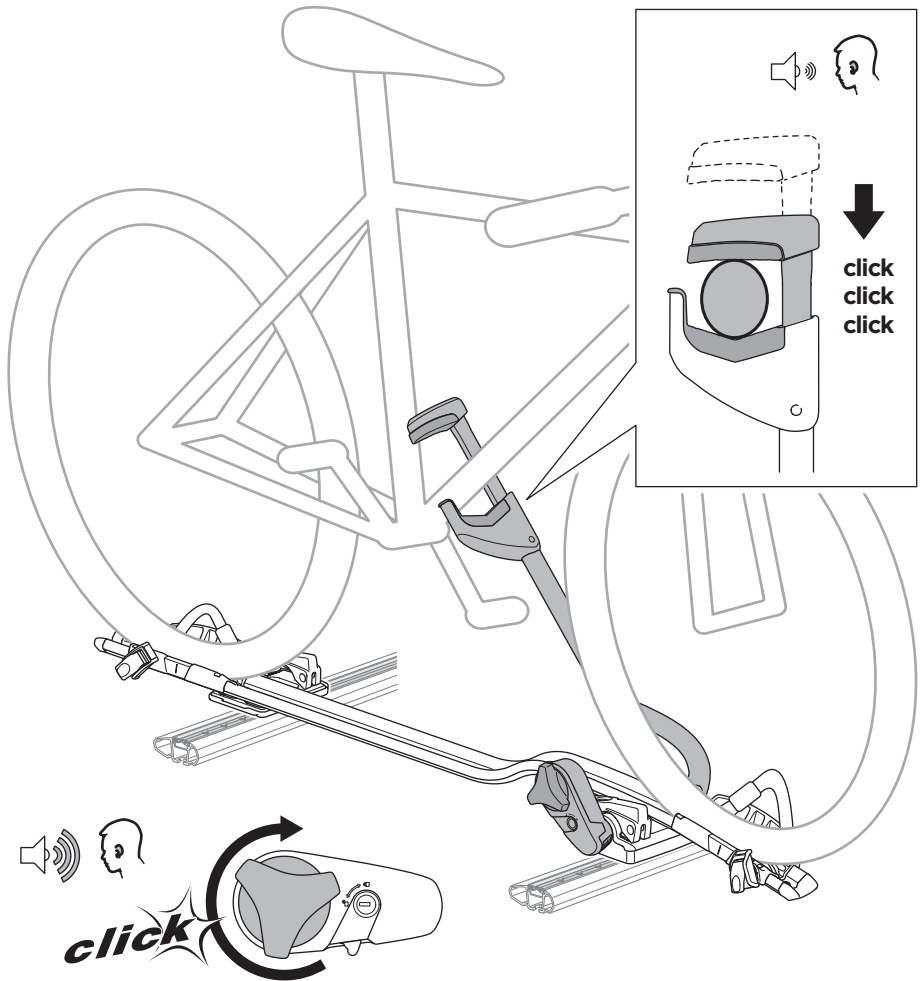
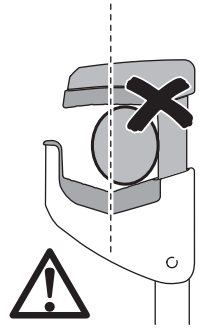
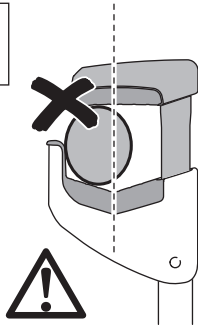
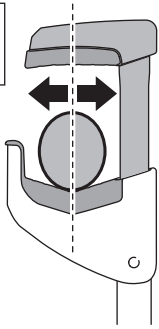
Ø 0.8" - 3.1"



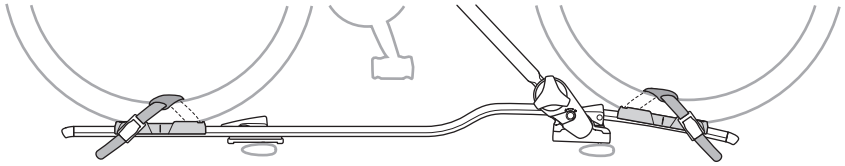
Max
X- 3.1"
Y- 3.9"



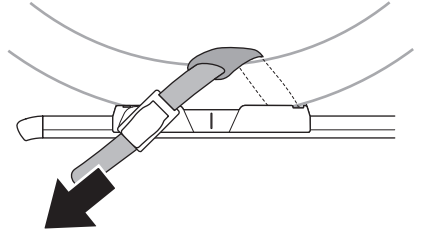
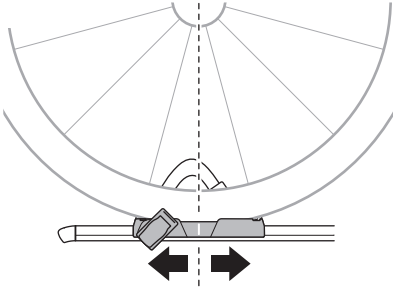
12



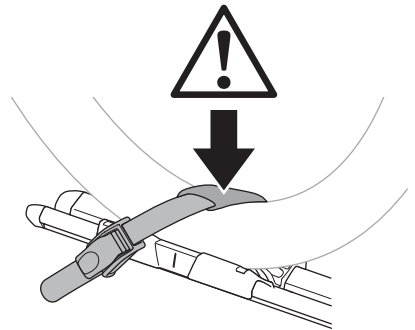
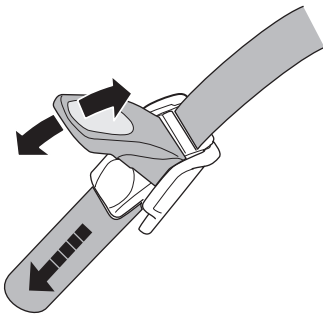
13



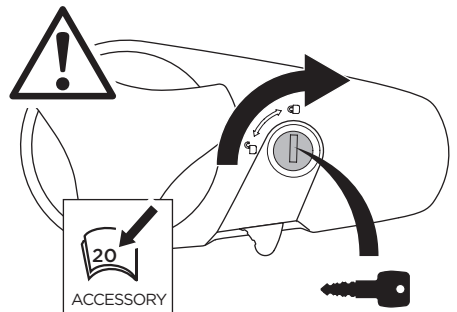
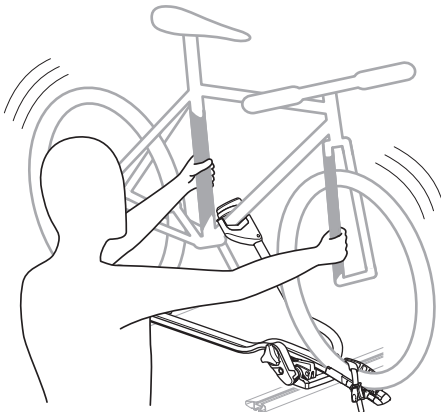
A



B



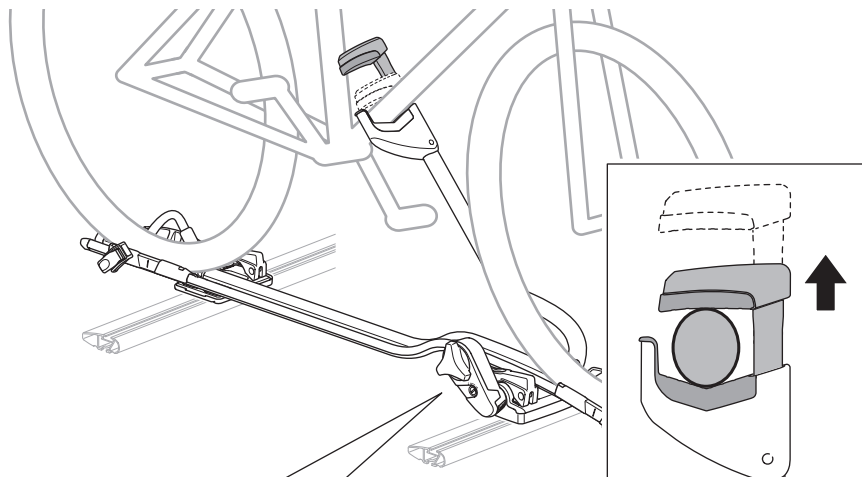
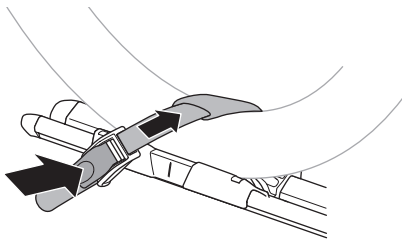
C



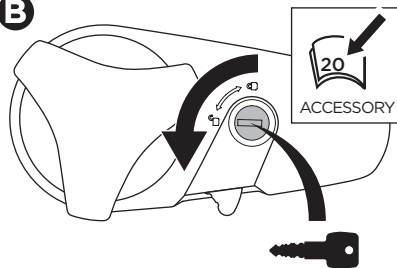
i



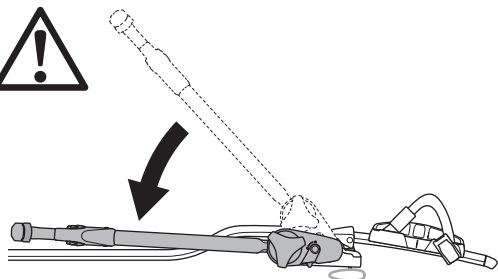
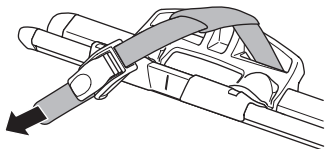
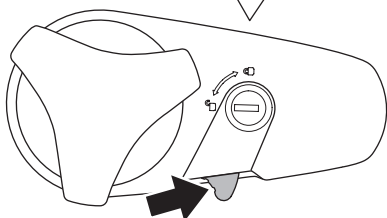
A



B



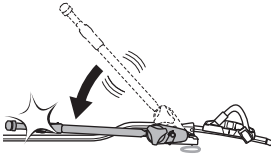
C



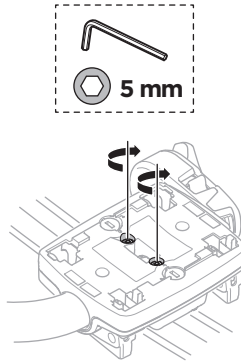
i

Adjustment

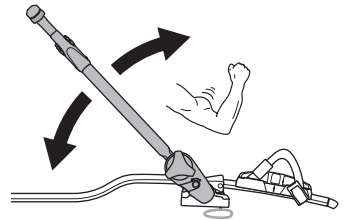
A



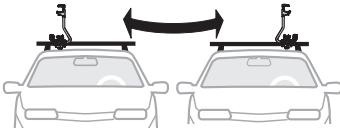
B



C



i

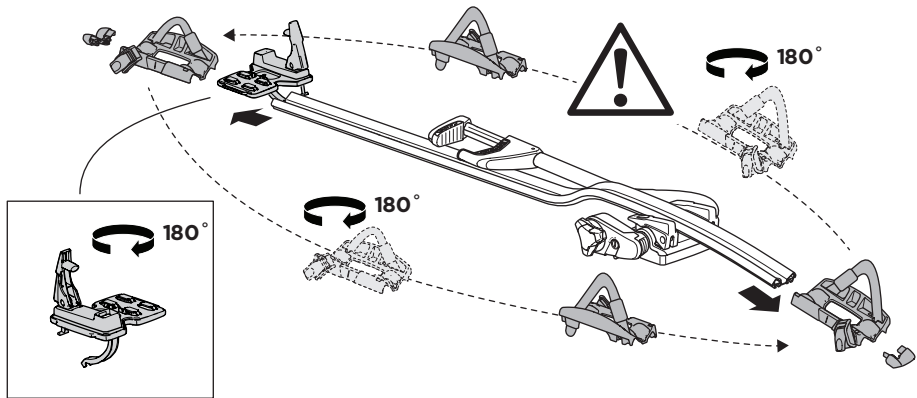
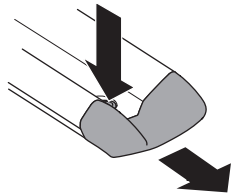


Left-hand fitting

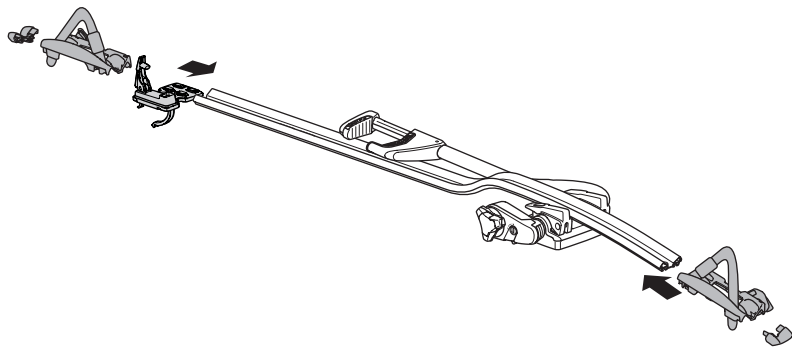
HE
AR



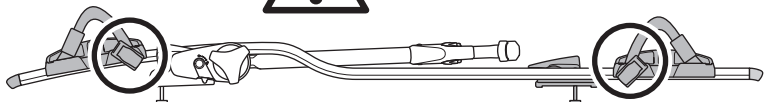
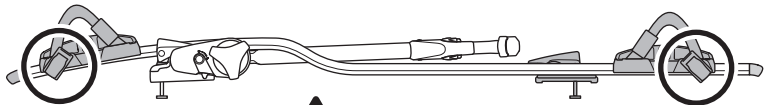
A

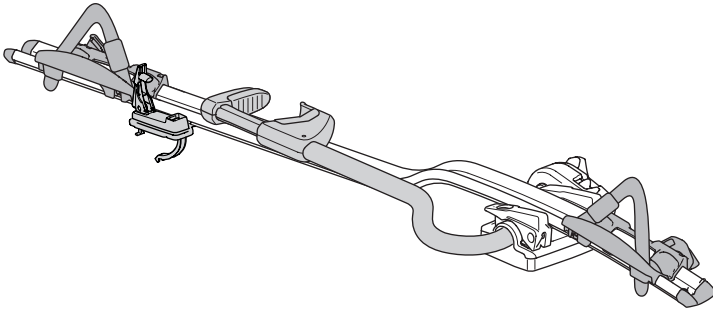
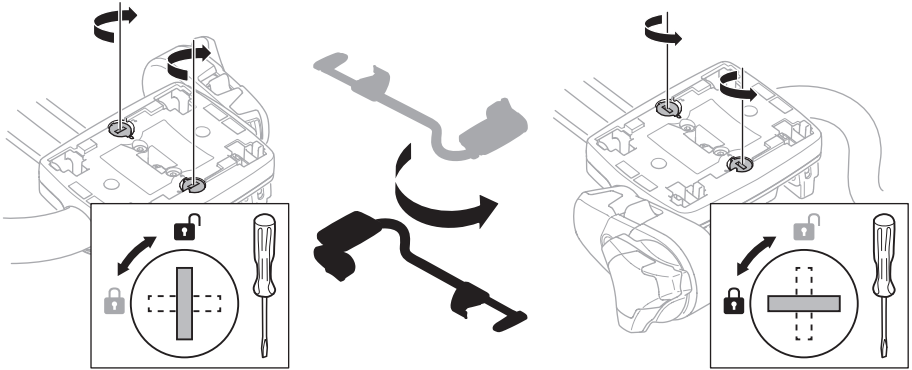
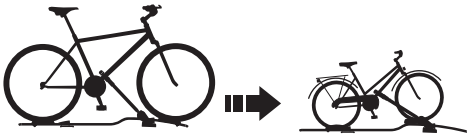
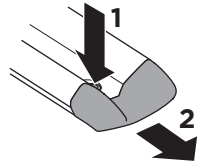
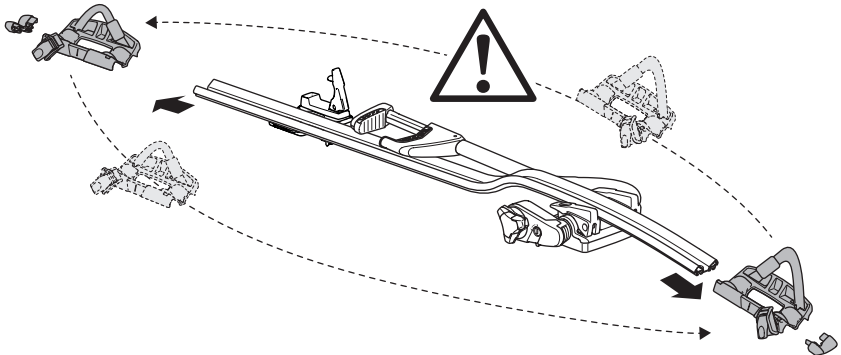


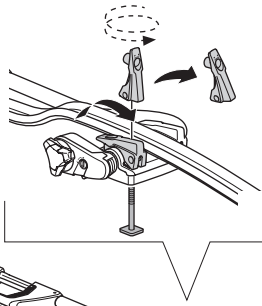
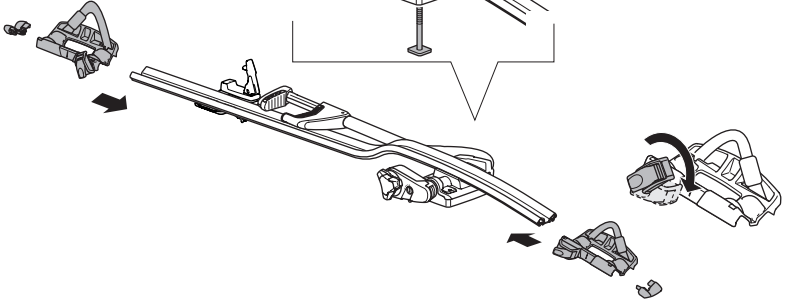
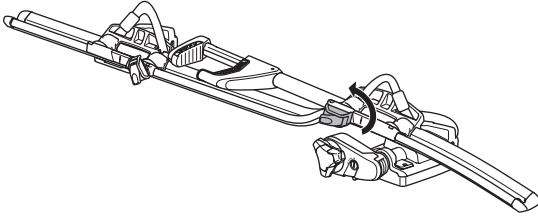
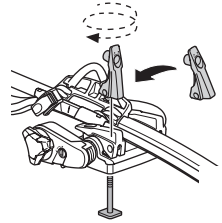
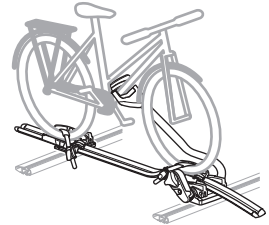
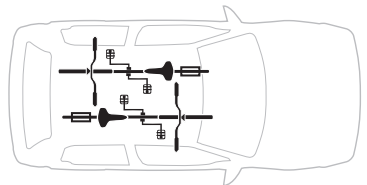
B



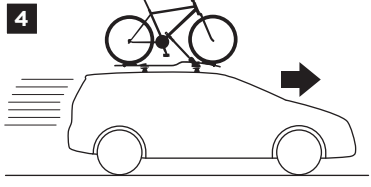
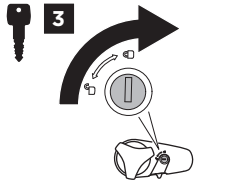
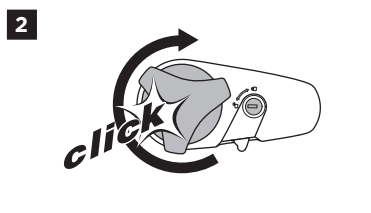
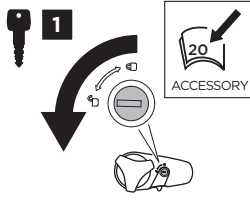
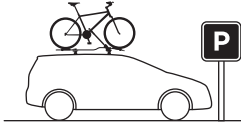
C



D**i****A****B**

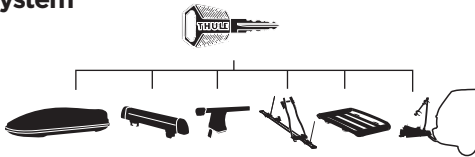
C**D****E****F****G****i**

i



Accessories

Thule One-Key System



450200  (x2)

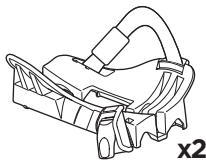
450400  (x4)

450600  (x6)

450800  (x8)

Thule Fatbike Adapter

598101



Discover other roof racks and cargo carriers on our website.