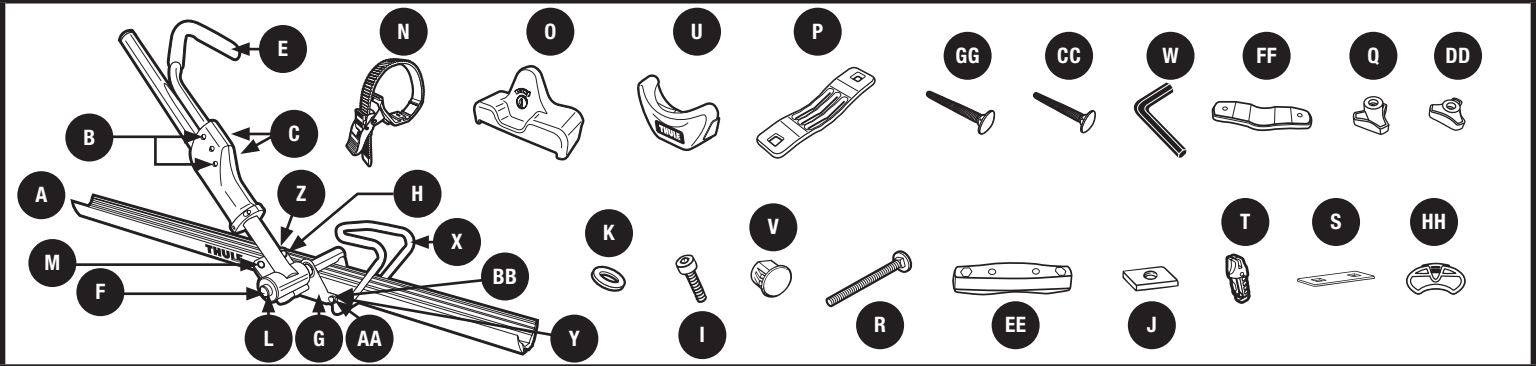


PARTS INCLUDED



part	description	part number	qty.
A	wheel tray 56" silver	85370205602	1
B	screw phillips 10-32 x 1.5	8535972	2
C	10-32 nylon insert locknut	8535973	2
D	locking ratchet arm assembly	7533579	1
E	hook assembly	7533710	1
F	tube cap	853147704	2
G	base plate	7533704	1
H	M8 x 1.25 x 25mm	8535976	2
I	allen bolt M6 x 12	919061211	2
J	square nut	8537557	2
K	washer 6mm ID /	951061211	2
L	rql arm bearing half	8535960	2
M	bearing clamp	7533591	1
N	wheel strap assembly	8537006	1
O	lock cover 594	8537026	1
P	metal bracket	8535513	3
Q	knob 3 wing high M6 x 1 nut	7530745	2
R	carriage bolt 6 x 55	915065554	6
S	plate square for wheel tray	8530333	2
T	lock cover plug	8536395	1
U	tray end cap with logo	7533236	2
V	lock plug	8533160	2
W	hex key M5	8530930	1
X	wheel loop coated 594	8537024	1
Y	M8 x 1.25 x 20mm zinc II black	853597602	2
Z	washer 8mm id 16mm od	951081611	2
AA	lock nut M8	938080011	2
BB	flat nylon washer M8	8537021	4
CC	carriage bolt 6 x 65	915066554	6
DD	knob 3-wing low M6x1 nut	7530783	4
EE	plastic spacer mount	8537441	3
FF	rubber leveling gasket	8537442	4
GG	carriage bolt 6 x 80	915068054	6
HH	road bike adapter	8535426	1

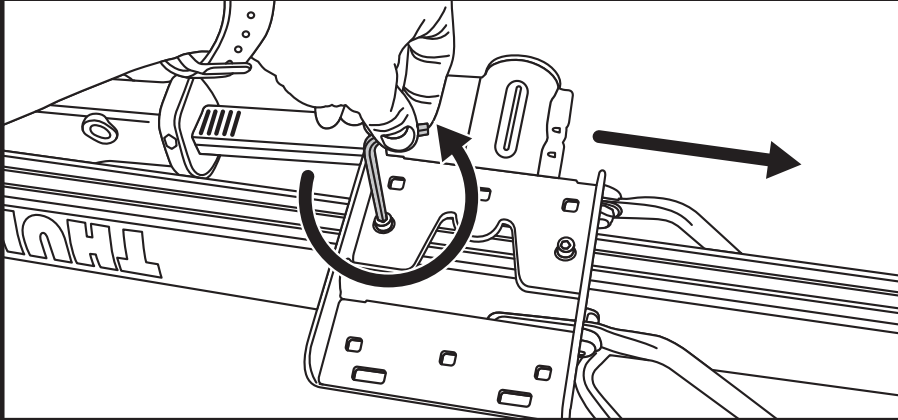
TOOLS REQUIRED

- 13mm wrench or adjustable wrench.
- #2 phillips screw driver.
- 1 - Tape measure

Please refer to the fit guide at the back of these instructions to determine if your vehicle requires the 55mm, 65mm or 80mm carriage bolts for fitting the carrier to your vehicle's factory rack.

1

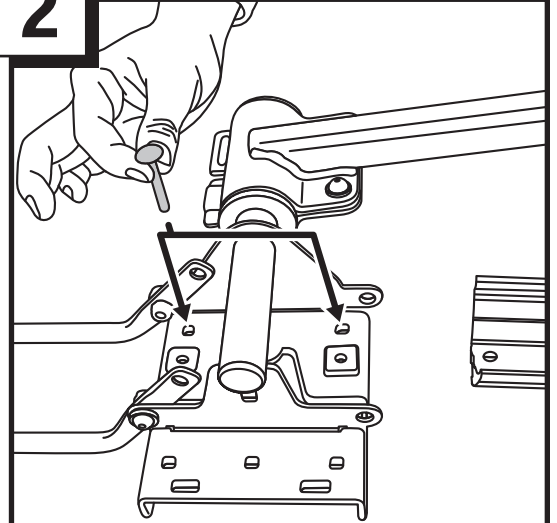
CARRIER INSTALLATION /



- Turn carrier over and loosen both bolts using 5mm hex wrench provided.
- Slide base plate in channel to the end of the tray. Separate the bracket from the tray.

NOTE: The 594 Sidearm™ comes assembled for passenger side application. Follow steps for driver side application before continuing.

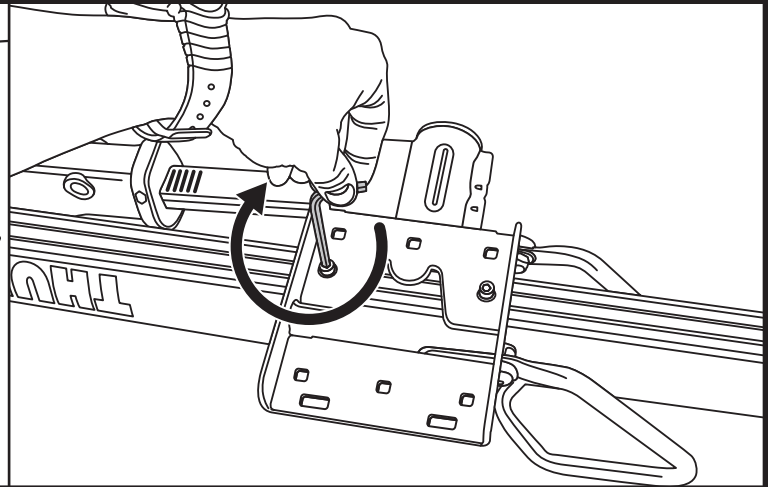
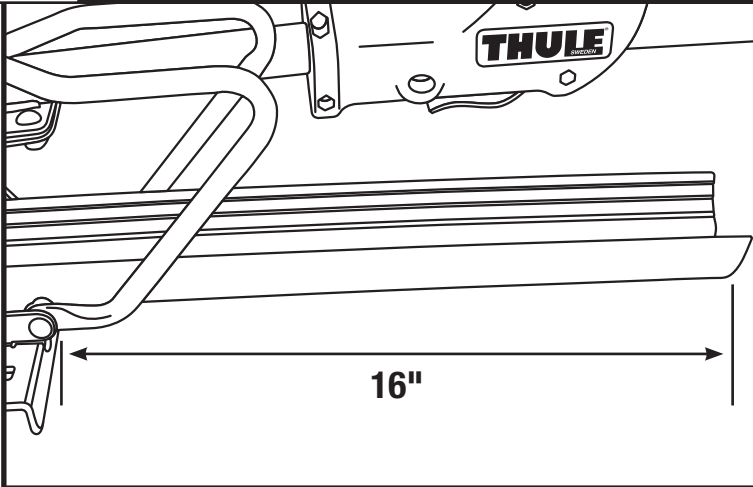
2



- Install 2 carriage bolts into square holes in base plate, closest to ratchet arm assembly, as illustrated.

3

CARRIER INSTALLATION

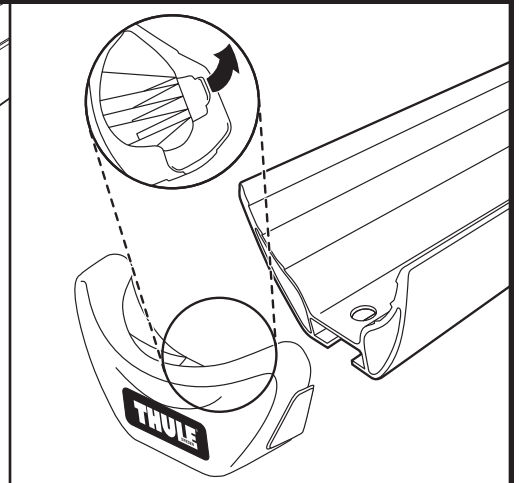
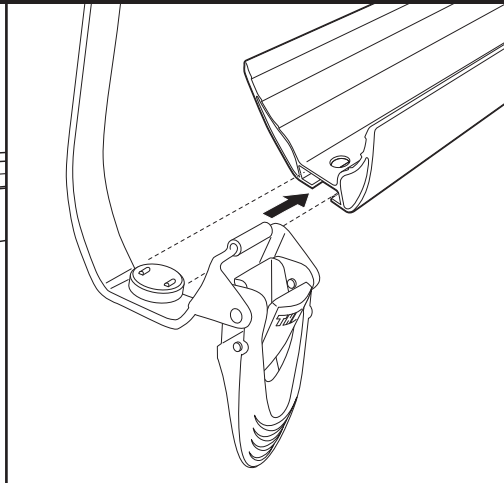
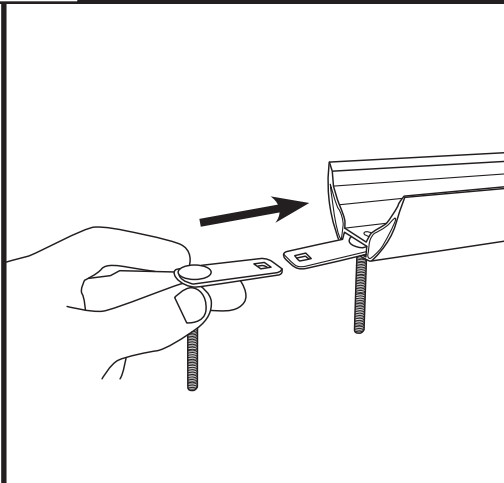


- Slide tray onto base plate. The edge of the base plate should be 16" from the front edge of the wheel tray.

- Turn carrier over and tighten bolts with 5mm hex wrench provided.

4

CARRIER INSTALLATION /

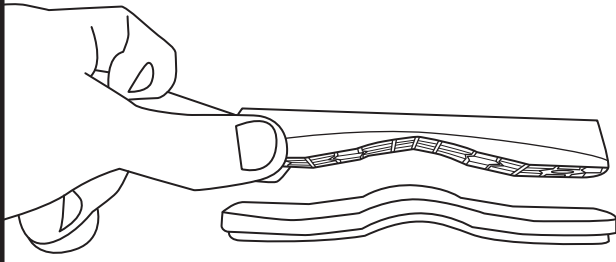


CAUTION: Tray may have sharp edges.

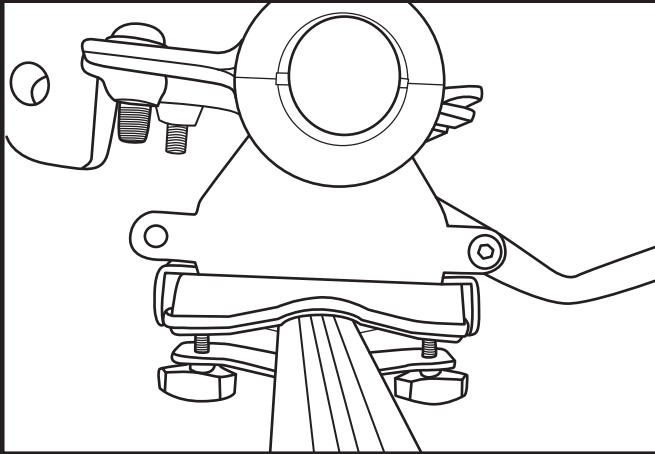
- Drop 1 carriage bolt into 2 washer plates and insert into tray channel on bottom of tray as shown.

- Slide strap into tray channel.
- Buckle on same side of ratchet arm.

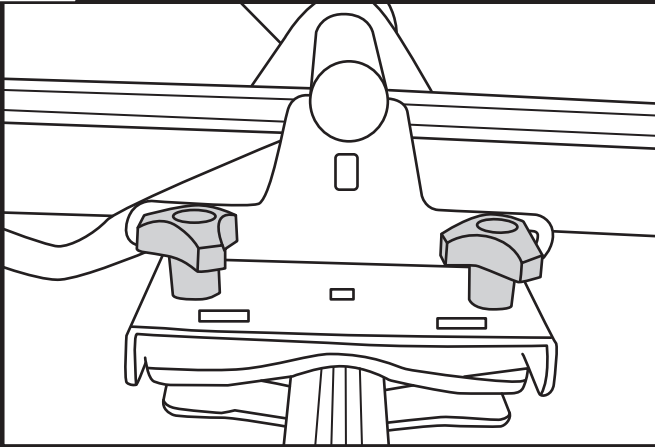
- Flex tab up.
- Slide end cap on.

5

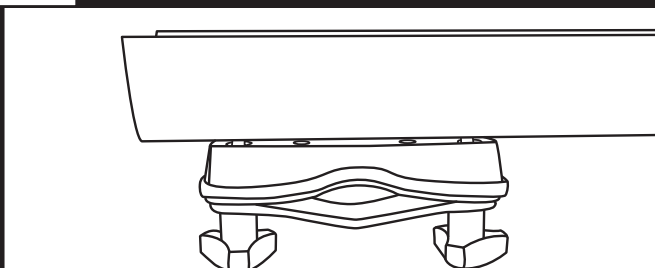
- Attach rubber leveling gasket to bottom of rubber risers as shown. If you're attaching to a factory rack and it slopes, you should add a second rubber leveling gasket underneath the first one on side closest to the vehicle door to level the bike carrier.

6**FRONT HARDWARE**

- Place carrier on roof rack load bars with ratchet arm pivot centered over load bar.
- Install plastic spacer mount, rubber leveling gasket, metal bracket and 3-wing low knobs onto bolts in that order around the load bar as illustrated.
- Tighten 3-wing knobs firmly.

7**FRONT HARDWARE**

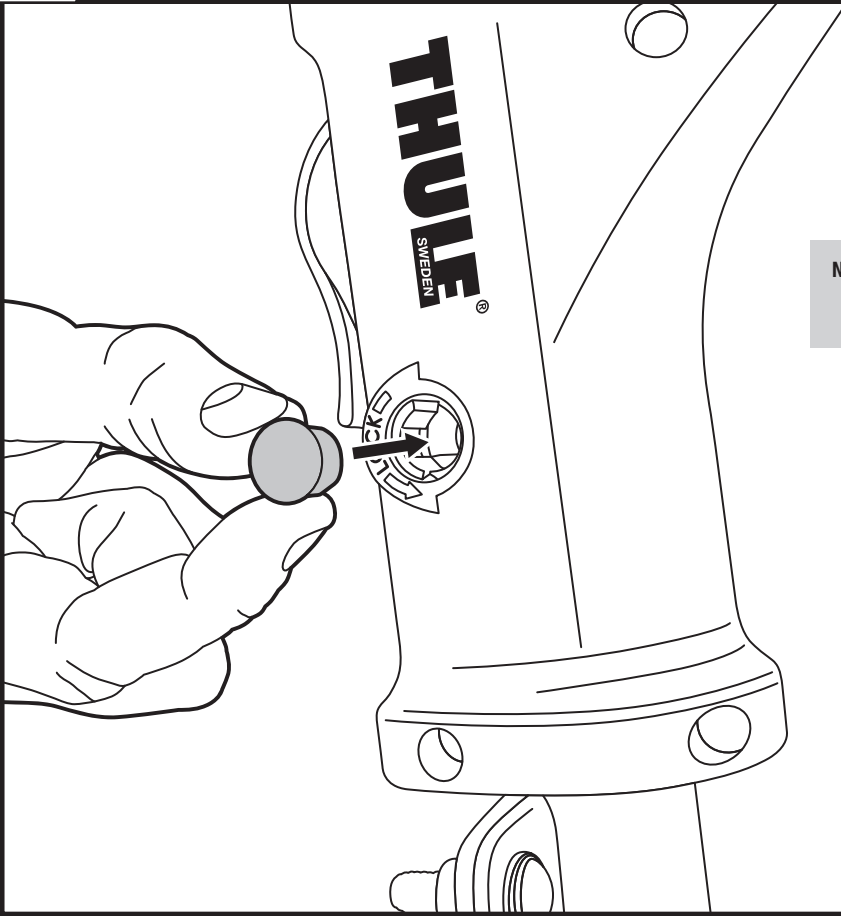
- Install 3-wing high knobs, plastic spacer mount, rubber leveling gasket, metal bracket and bolts in that order around the load bar as illustrated.
- Tighten 3-wing knobs firmly.

8**REAR HARDWARE**

- Install plastic spacer mount, rubber leveling gasket, metal bracket and 3-wing low knobs onto bolts in that order around the load bar as illustrated.
- Tighten 3-wing knobs firmly.

9

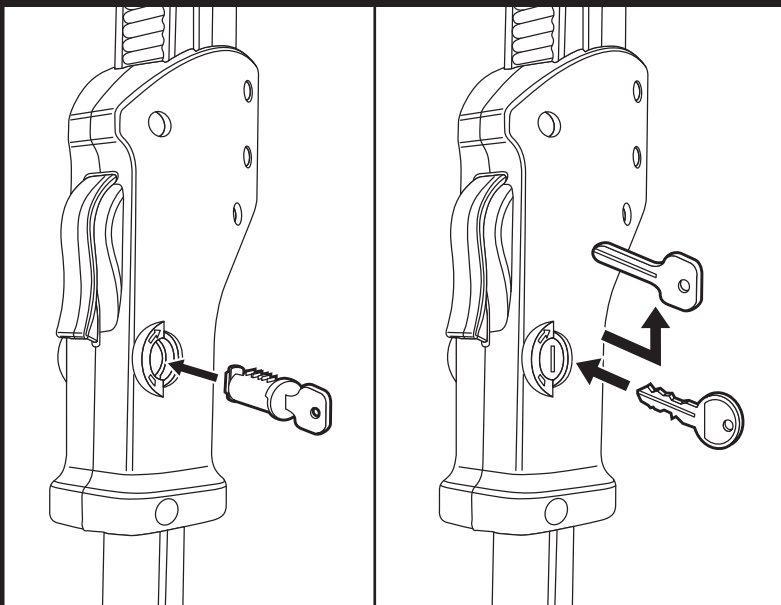
LOCK PLUG INSTALLATION



NOTE: If not installing lock cylinders, please insert plastic lock plugs into lock cylinder holes as shown.

10

LOCKING FEATURES: BIKE TO CARRIER (LOCKS SOLD SEPARATELY)

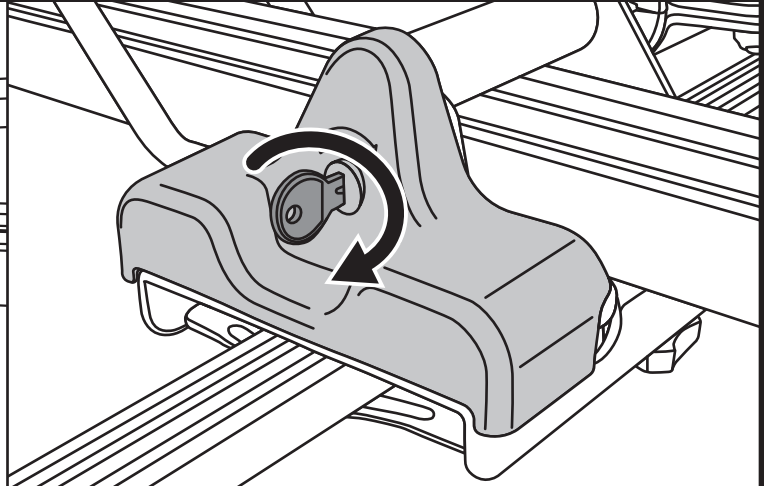
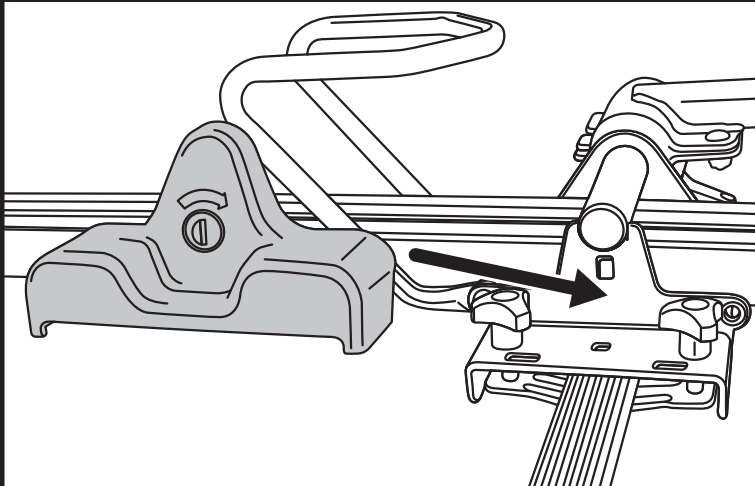


- Insert change key into lock cylinder.
- Remove change key, insert key to lock and unlock.
- Insert lock plug on opposite side of grip, into the lock cylinder.

WARNING: Ensure ratchet arm is fully engaged to bicycle wheel before locking.

11

LOCKING FEATURE: CARRIER TO VEHICLE (LOCKS SOLD SEPARATELY)



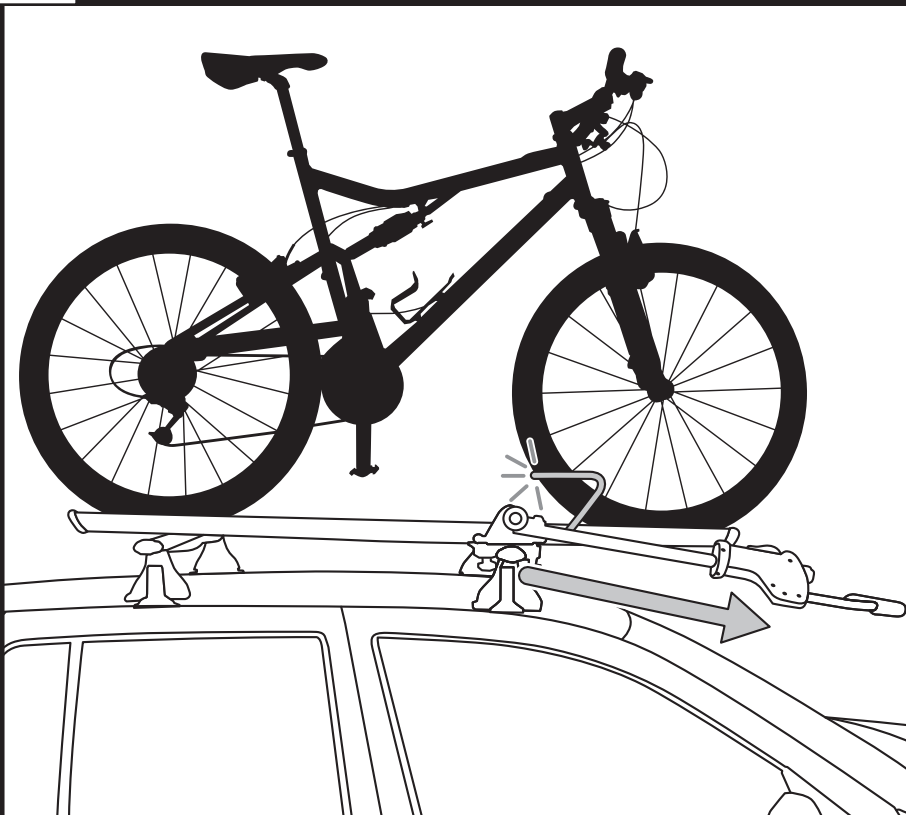
- Follow Lock core installation procedure above for lock cover.

- Snap cover onto base plate. Turn key to lock.

NOTE: To secure cover with out lock core, use lock plug (853-6395)

12

LOADING BICYCLE



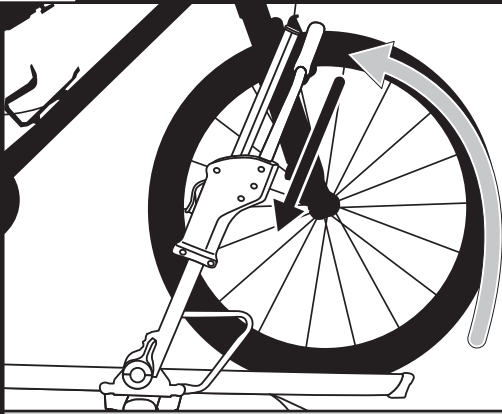
Position Ratcheting Arm in forward position.

- Press gray trigger on grip and hook assembly and slide to fully extended position.
- Place bike in wheel tray with front wheel in contact with wheel loop.

NOTE: Minimum bar spread spacing is 18" (eighteen inches) and Maximum bar spread is 36" (thirty-six inches).

13

LOADING BIKE



- While holding the bike with one hand rotate the support arm, until it sits within 1" of the bicycle brake or fork crown.
- Ratchet the arm tightly against the wheel. You should hear a minimum of 2 clicks past initial contact with the tire.

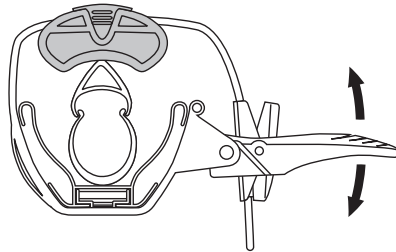
WARNING: The support arm V-notch must be firmly seated against the tire and brake or fork. Failure to do so may result in bike instability. Always shake your bike to ensure the hook is fully seated.

14

SECURE REAR TIRE

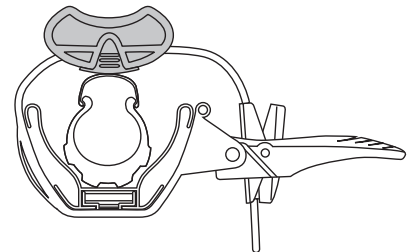
Road bike only.

- Slide on adapter.



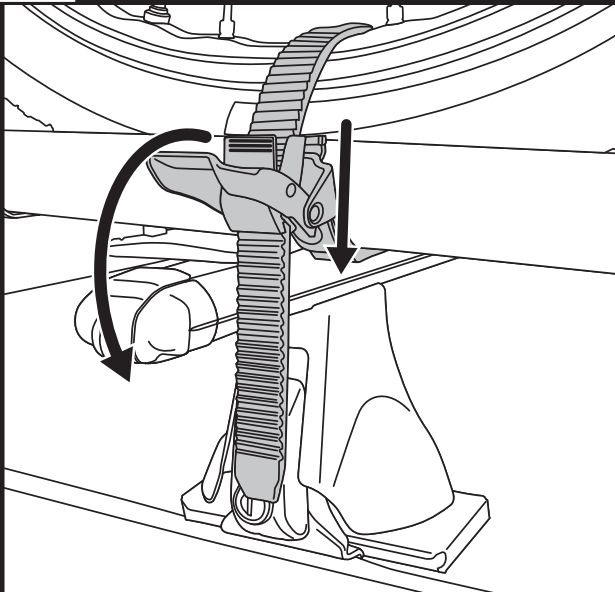
Mountain bike only.

- Invert or remove for mountain bikes.



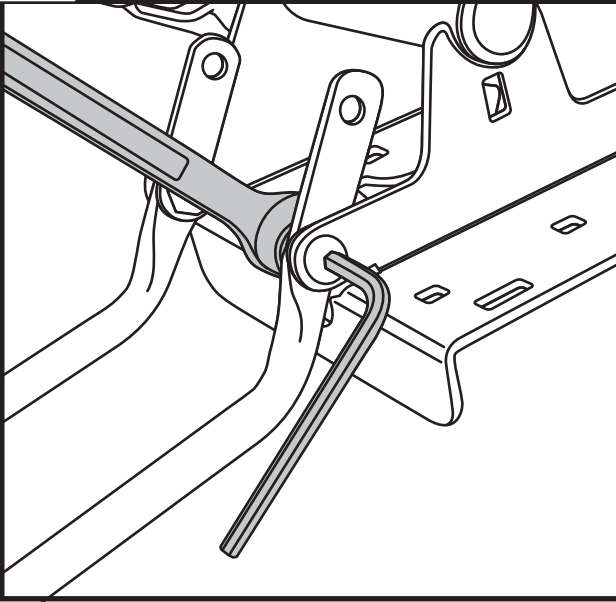
15

LOADING BIKE /

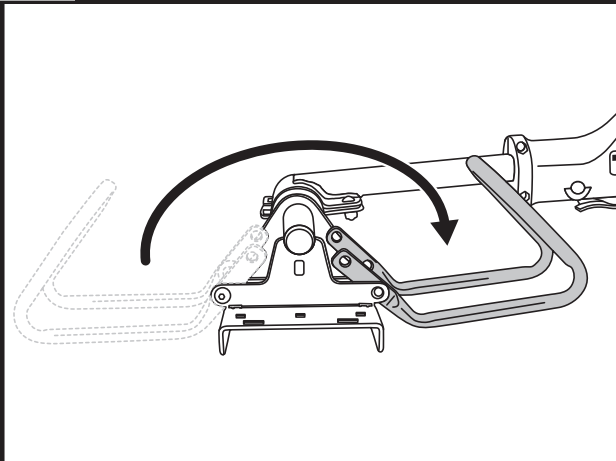


- Feed the strap through the ratcheting cam.
- Close the cam handle.

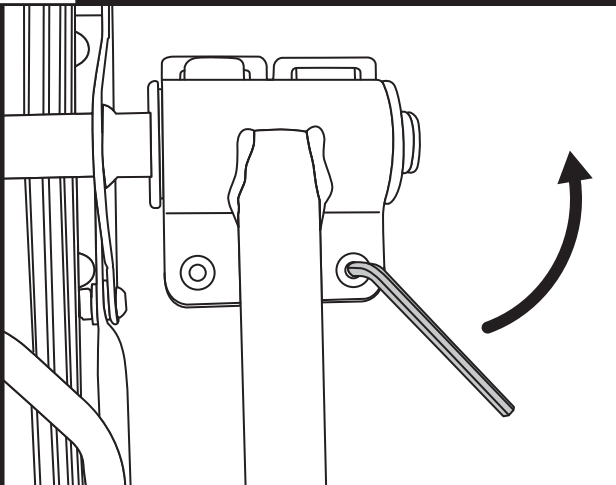
NOTE: Cam strap should be tight against the rim of the bicycle.

16**DRIVERSIDE INSTALLATION**

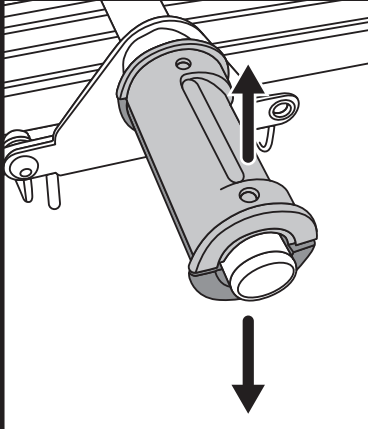
- Follow step 1 for Installation.
- Remove wheel loop using 13mm wrench and 5mm hex wrench.

17**DRIVERSIDE INSTALLATION**

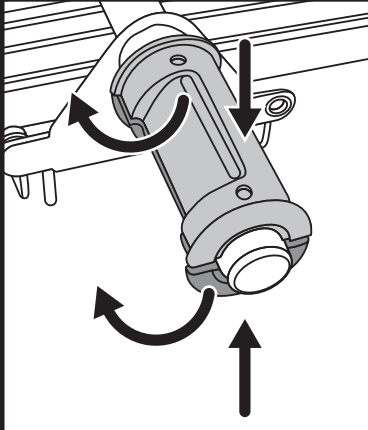
- Position wheel loop on opposite side of base plate.
- Install bolts, washers and lock nut and tighten firmly.

18**DRIVERSIDE INSTALLATION**

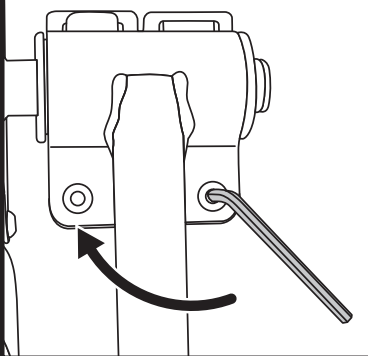
- Loosen bolts on support arm pivot using 5mm hex wrench.
- Remove support arm and bracket from pivot tube..

19**DRIVERSIDE INSTALLATION**

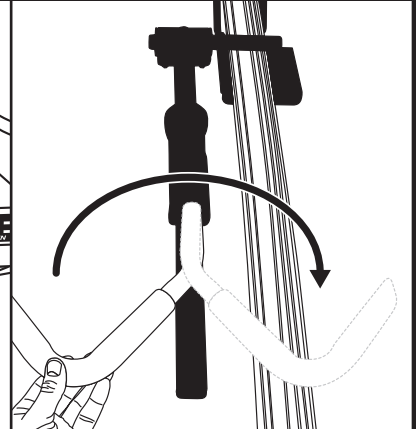
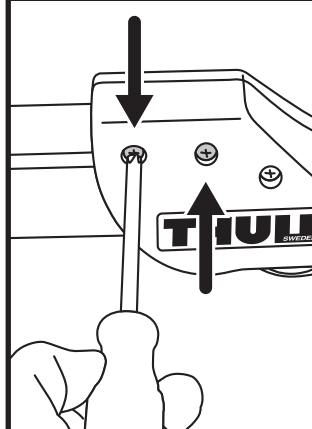
- Remove bearing halves from pivot tube.



- Rotate both bearing halves on pivot tube.



- Re-install support arm, bracket and fasteners with trigger on grip handle facing down.

20**DRIVERSIDE INSTALLATION**

- Loosen and remove both screws on hook-grip assembly.
- Rotate hook 180°
- Re-install screws and nuts and tighten firmly.
- Repeat steps 3-7 of Installation for completion.

NOTE

Lock core in grip handle can be reversed using change key.



2014 ACCESSORY TO FACTORY RACK FIT GUIDE

Circuit™ 526, Paceline™ 527 and Sidearm™ 594XT

LOAD BARS	RECOMMENDED BOLT SIZE (mm)		
	55	65	80

THULE

AEROBLADE (ARB) BARS			✓
RAPID AERO (RB) BARS		✓	
STEEL (LB) BARS	✓		
422 XSPORTER BARS			✓
500 XSPORTER PRO BARS			✓
PRO BARS			✓

INNO

LOAD BAR	✓		
----------	---	--	--

SPORTRACK

LOAD BAR	✓		
----------	---	--	--

YAKIMA

ROUND BAR	✓		
WHISPBAR		✓	

VEHICLE MAKE, MODEL, AND YEAR	RECOMMENDED BOLT SIZE (mm)		
	55	65	80

ACURA

MDX	'07-14	✓	
RDX	'07-14	✓	
TSX Sport Wagon	'11-14	✓	
ZDX	'10-13	✓	

AUDI

Allroad	'13-14	✓	
A4 (Avant) Wagon	'02-12	✓	
A6 Wagon	'06-11	✓	
Q5	'09-14		✓
Q7	'07-14		✓
S4 Wagon	'01-08	✓	

BMW

X6	'09-14		✓
----	--------	--	---

BUICK

Enclave	'08-14		✓
Encore	'13-14		✓
Ranier	'04-07	✓	
Rendezvous	'02-07		✓

CADILLAC

CTS Sport Wagon 5DR	'10-14	✓	
Escalade / Escalade ESV	'99-15	✓	
Escalade EXT Pickup	'02-15	✓	
SRX (Except "Sport Models")	'04-14	✓	

CHEVROLET

Astro Van (Cargo & Passenger)	'94-05	✓	
Avalanche	'02-13		✓
Blazer	'95-05	✓	
Captiva	'11-14		✓
Equinox	'05-14		✓

VEHICLE MAKE, MODEL, AND YEAR	RECOMMENDED BOLT SIZE (mm)		
	55	65	80

CHEVROLET (continued)

HHR	'06-11		✓
Spark 5DR	'13-14	✓	
Suburban / Suburban Z71	'92-15	✓	
Tahoe / Tahoe Z71	'95-15	✓	
Tracker	'02-04		✓
Trax	'13-14	✓	
Traverse	'09-14		✓
Venture	'97-04	✓	

CHRYSLER

Pacifica	'04-08	✓	
PT Cruiser	'01-10		✓
Town & Country	'96-14	✓	
Voyager / Grand Voyager	'01-03	✓	

DODGE

Caliber / SRT4 / SXT	'07-12	✓	
Caravan / Grand Caravan	'96-14	✓	
Durango / Durango Sport	'98-14	✓	
Journey	'08-14	✓	
Nitro	'07-11	✓	

FORD

Edge / Edge Sport	'07-14	✓	
Escape	'01-14	✓	
Escape (Glass Roof)	'13-14	✓	
Expedition / Expedition EL	'97-14		✓
Explorer	'91-14		✓
Explorer Sport	'01-03		✓
Explorer Sport Trac	'01-10		✓
Flex	'08-14	✓	
Freestar	'04-07	✓	
Taurus Wagon	'96-06	✓	
Windstar	'98-03	✓	

GMC

Acadia	'07-14		✓
Denali	'98-06		✓
Denali XL	'00-06		✓
Envoy	'98-01	✓	
Jimmy	'95-01	✓	
Safari Van (Cargo & Passenger)	'90-05	✓	
Suburban	'92-99	✓	
Terrain	'10-14	✓	
Terrain Denali	'12-14	✓	
Yukon / Yukon XL	'92-15	✓	
Yukon Denali / Yukon Denali XL	'07-15	✓	

HONDA

Crosstour	'10-14		✓
CR-V	'02-14		✓
Element / Element SC	'03-11	✓	
Odyssey	'01-14		✓
Passport	'98-02	✓	
Pilot	'03-14	✓	
Ridgeline / Ridgeline Sport	'06-14		✓



2014 ACCESSORY TO FACTORY RACK FIT GUIDE

Circuit™ 526, Paceline™ 527 and Sidearm™ 594XT

VEHICLE MAKE, MODEL, AND YEAR	RECOMMENDED BOLT SIZE (mm)		
	55	65	80

HUMMER

H3	'05-10		✓	
H3T	'09-10		✓	

HYUNDAI

Elantra GT 5DR	'13-14		✓	
Entourage	'07-10	✓		
Santa Fe	'01-14	✓		
Santa Fe Sport	'13-14	✓		
Tucson	'05-14			✓

INFINITI

EX 35	'08-12		✓	
EX 37	'13		✓	
FX 35	'03-13		✓	
FX 45	'03-08		✓	
FX 50	'09-13		✓	
QX4	'97-03		✓	
QX50	'14		✓	
QX56	'04-13		✓	
QX60	'14		✓	
QX70	'14		✓	
QX80	'14		✓	

ISUZU

Ascender	'03-10	✓		
Rodeo	'98-04	✓		

JEEP

Cherokee	'14	✓		
Commander (Standard Crossbars)	'06-10		✓	
Compass / Rallye	'07-14	✓		
Grand Cherokee	'93-14	✓		
Liberty	'02-12	✓		
Patriot	'07-14	✓		

KIA

Borrego	'09-12		✓	
Carens	'07-14	✓		
Rondo	'07-14	✓		
Sedona	'02-14	✓		
Sorento	'03-14		✓	
Soul	'10-14		✓	
Sportage	'11-14	✓		

LAND ROVER

Evoque 5DR	'12-14			✓
LR2	'07-14		✓	
LR3	'05-09			✓
LR4	'10-14			✓
Range Rover / Range Rover Sport	'98-14			✓

LEXUS

GX	'03-14	✓		
LX	'99-14		✓	
RX	'04-14	✓		

VEHICLE MAKE, MODEL, AND YEAR	RECOMMENDED BOLT SIZE (mm)		
	55	65	80

LINCOLN

Aviator	'03-05		✓	
MKX	'07-14		✓	
Navigator	'98-14		✓	

MAZDA

CX-5	'12-14		✓	
CX-9	'07-14		✓	
MPV	'00-06		✓	
Protégé 5 Wagon	'02-03		✓	
Tribute	'01-11		✓	

MERCURY

Mariner	'05-10	✓		
Monterey	'04-07		✓	
Mountaineer	'96-10		✓	
Sable Wagon	'96-05		✓	
Villager	'93-02	✓		

MINI

Clubman	'08-14		✓	
---------	--------	--	---	--

MITSUBISHI

Endeavor	'04-11		✓	
Montero Sport	'97-00		✓	

NISSAN

Armada	'04-14			✓
Frontier 4DR Crew Cab	'00-14		✓	
Murano	'03-14		✓	
Pathfinder	'96-14		✓	
Quest	'99-14		✓	
Rogue	'08-13		✓	
Xterra	'00-14			✓

OLDSMOBILE

Bravada	'91-04	✓		
Silhouette	'97-04	✓		

PONTIAC

Aztek	'01-05	✓		
Montana	'99-05		✓	
Torrent	'06-09	✓		
Trans Sport	'97-98	✓		
Vibe	'03-10	✓		

PORSCHE

Cayman	'06-13		✓	
--------	--------	--	---	--

SATURN

Outlook	'07-10		✓	
Vue	'02-05		✓	



2014 ACCESSORY TO FACTORY RACK FIT GUIDE

Circuit™ 526, Paceline™ 527 and Sidearm™ 594XT

VEHICLE MAKE, MODEL, AND YEAR	RECOMMENDED BOLT SIZE (mm)		
	55	65	80

SUBARU

Baja 4DR	'03-07	✓		
Forester	'98-14		✓	
Impreza 5DR	'12-14		✓	
Impreza WRX / WRX STI 4DR	'02-14		✓	
Impreza WRX / WRX STI 5DR	'02-14		✓	
Legacy Wagon	'95-99		✓	
Outback Sport	'02-11	✓		
Outback Sport / WRX / STI Wagon	'02-11		✓	
Outback Wagon	'00-14		✓	
Tribeca	'06-14		✓	
XV Crosstrek	'12-14		✓	

SUZUKI

Grand Vitara	'06-13	✓		
XL-7	'07-09	✓		

TOYOTA

4Runner	'90-14	✓		
FJ Cruiser	'07-14		✓	
Highlander	'01-14		✓	
Land Cruiser	'98-14		✓	
Matrix	'03-14	✓		
RAV4	'01-12		✓	
Sequoia	'01-14		✓	
Sienna	'98-14	✓		
Tacoma 4DR Quad Cab	'05-14	✓		
Venza	'09-14	✓		

VOLKSWAGEN

Golf Wagon (Canada)	'10-14	✓		
Jetta SportWagen	'09-14	✓		
Routan	'09-14	✓		
Tiguan	'08-14		✓	
Touareg	'04-14			✓

VOLVO

V50	'05-11		✓	
V70	'98-10		✓	
V70 XC	'98-10		✓	
XC60	'09-14		✓	
XC70	'01-14		✓	
XC90	'03-14		✓	